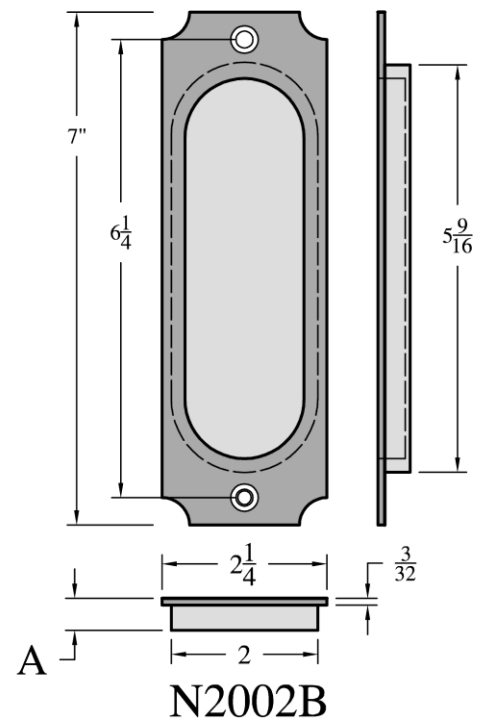


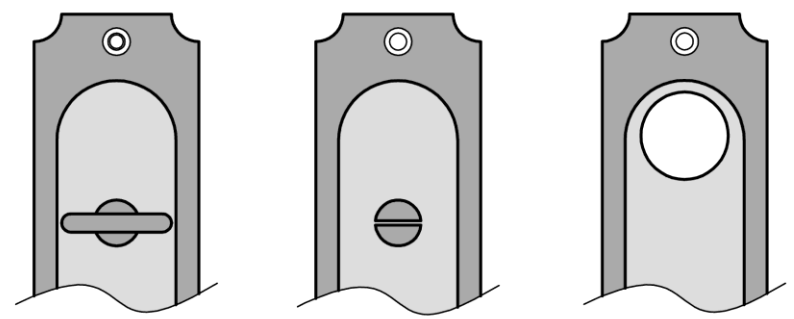


N2002 FLUSH PULLS

- Premium flush pulls machined out of solid brass. Stainless and bronze based flush pulls available as a special order.
- For use on 1 3/8", 1 3/4", or thicker doors (door thickness MUST be specified when ordering).
- Most architectural finishes available.
- Available in four functions to work with the 2000, 2001, 2002 sliding and pocket door locks.



N2002B N2002C N2002E N2002T



N2002T N2002E N2002C