

SPECIFICATIONS

VITA BELLA
APPLIANCE
PULLS



FEATURES

- Transitional styling
- Multiple finishes
- Concealed installation

WARRANTY

Limited lifetime

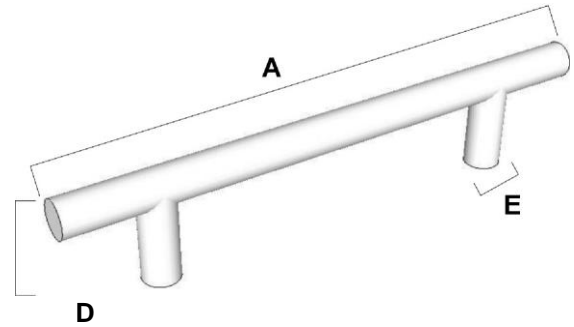
FINISHES

- Matte Black (MB)
- Champagne (CHP)
- Matte Nickel (MN)
- Champagne/Matte Black (CHP/MB)
- Matte Nickel/Matte Black (MN/MB)

MATERIAL

Aluminum

PRODUCT SHEET



Item#	A	B	C	D	E (L)	F (W)
D2802-12	14 3/4"	12"	5/8"	2-3/64"	5/8"	5/8"
D2802-18	20 3/4"	18"	5/8"	2-3/64"	5/8"	5/8"
D2802-24	26 3/4"	24"	5/8"	2-3/64"	5/8"	5/8"

KEY:

- A Overall Length
- B Center to Center
- C Bar Width
- D Projection
- E Mount Length
- F Mount Width

NOTE: Dimensions and specifications are subject to change without notice.