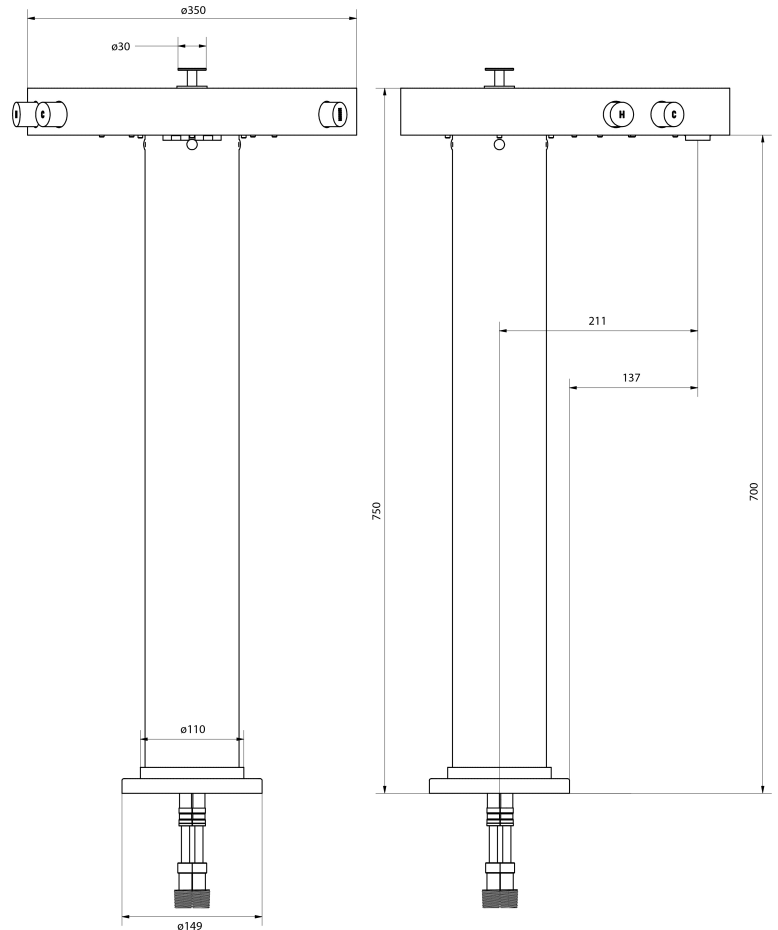


# AQUABRASS

## CL85NM



### Product Description

#### Floormount tub filler with hidden handshower

- solid brass construction
- crystal clear water flow
- hot and cold water temperature controls
- dual water output
- hidden microphone handshower with 5' grey nylon hose
- push-button diverter
- 1/2" connection

height: 29<sup>1/2</sup>"

overall projection: 13<sup>3/4</sup>"

flow rate: (tub filler) 6.5 gpm (handshower) 2.5 gpm

#### FINISHES

Standard

Polished chrome (pc)

Custom

15 custom finishes available

(ask your local Aquabrace authorized dealer for details)

ELEM	CODE	DESCRIPTION	QT
1	AC0012509	Knob for hand shower Ø30 H20	1
2	AC0010529	Upper plug hand shower	1
3	AQ0012178	Inox screw M3x6 ISO 7046	1
4	AS0010528	Connection piece for hand shower	1
5	AQ0004630	OR 17.16x1.78 NBR 70 SH	5
6	AC0011852	Hand shower body Ø32 H62	1
7	AQ0013936	ABS gasket support	1
8	AQ0013935	ABS gasket support	1
9	AQ0013934	Gasket	1
10	AC0010699	Connection piece for hose	1
11	AQ0015040	Grey nylon hose M15x1 G1/2" cone DN8 L110	1
12	AC0012501	Insert Ø32 M28x1.5 H15	1
13	AQ0009982	OR 22x1 NBR 70 SH	1
14	AQ0014851	Marble cover Ø350 H50 marquinia's black	1
15	AQ0010948	Inox screw M5x25	6
16	AC0012510	Base for headworks 95x55x98	1
17	AS0012511	Connection piece G1/2" Ø12 (2001015)	8
18	AS0012512	L connection piece G1/2" Ø12 (2014012)	6
19	AQ0009742	Ceramic headwork 3/4" F	2
20	ACH012513	Handle Ø26 H45 stamped H	1
21	AQ0014670	Grubscrew M5x6 cone point	2
22	ACC012513	Handle Ø26 H45 stamped C	1
23	AC0012593	Base for diverter 60x38x90	1
24	AQ0009400	Water drain valve Ø14	1
25	AQ0004610	OR 12.42x1.78 NBR 70 SH	1
26	AS0012592	Plug Ø20 H15,2 M16x1	1
27	AQ0009417	OR 7x1 NBR 70 SH	1
28	AC0011087	Connection piece M10x1 H14	1
29	AS0011816	Screw M3 L9	1
30	AS0011840	Inox washer UNI 6592 M4	1
31	AQ0013871	Biconic rubber Ø17x3,75x8	1
32	AS0011839	Inox washer UNI 6593 M3	1
33	AS0012515	Diverter's rod Ø4 M3 L50	1
34	AQ0004600	OR 15.6x1.78 NBR 70 SH	1
35	AC0013872	Gaco 11,9 X 3,5 NBR 70 SH	1
36	AS0011815	Diverter body M21x1 M19x1 L26,2	1
37	AC0014936	Spring De5,4 D14,4 D10,5 S118, Lo25	1
38	ACT012516	Diverter knob Ø26 H35 stamped	1
39	AQ0009451	Fitting T G1/2"	1
40	AS0012517	L connection Ø12 (2004006)	1
41	AS0012518	Base for aerators 70x50x33	1
42	AQ0009068	Neostrah LP flow straightener - TF size (01,455,00001)	2
43	AC0012586	Cover's support Ø30 M27x1 M28x1 H44,5	1
44	AQ0010664	Inox screw M5x8	4
45	AS0012519	Inset for pipe Ø120 Ø93,8 H33	1
46	AS0010301	Reduction G1/2" M G1/2" M with valve seat	2
47	AQ0001330	OR 6,75x1,78 NBR 70 SH	1
48	AS0012567	Junction M10x1 M15x1 H21,5	1
49	AS0012520	Hand shower's support M27x1 H42	1
50	AS0012568	Insert Ø30 Ø19 H40	2
51	AQ0015039	Spring De21,5 D119,3 (option)	1
52	AS0012581	Plug for column Ø10,5 Ø8 H5,5	9
53	AQ0009819	OR 7x3 NBR 70 SH	18
54	AS0012580	Column Ø9,8 H39,5 M4	9
55	AS0012521	Plate Ø330 H42	1
56	AQ0013736	Inox screw M4x6	9
57	AQ013722	Inox screw M5x8 polish	4
58	AC0012525	Pipe Ø100 H700	1
59	ABFH84953	Inox hose G1/2" F G1/2" F L715 DN10	2
60	AS0012523	Flange Ø94,8 Ø60 H25	1
61	AQ0013722	Inox screw M5x8	4
62	AQ0014939-5	Pipe MB longlife polyurethane 98 Ø12x9 L355	1
63	AQ0014939-2	Pipe MB longlife polyurethane 98 Ø12x9 L90 mm	1
64	AQ0014939-3	Pipe MB longlife polyurethane 98 Ø12x9 L152	1
65	AQ0014939-6	Pipe MB longlife polyurethane 98 Ø12x9 L45	1
66	AQ0014939-7	Pipe MB longlife polyurethane 98 Ø12x9 L60	1
67	AQ0014939-4	Pipe MB longlife polyurethane 98 Ø12x9 L225	1
68	AQ0014939-8	Pipe MB longlife polyurethane 98 Ø12x9 L345	1
69	AQ0014939-9	Pipe MB longlife polyurethane 98 Ø12x9 L630	1
70	AQ0014966	OR 100x2 NBR 70 SH	1
71	AC0012543	Ring for pipe Ø110 H12	1
72	AC0012522	Round carter Ø149 Ø100,5 H15,5	1
73	AQ0010075	Inox plug M8x60	4
74	ABFP84959	Assymetrical hose adapter	2

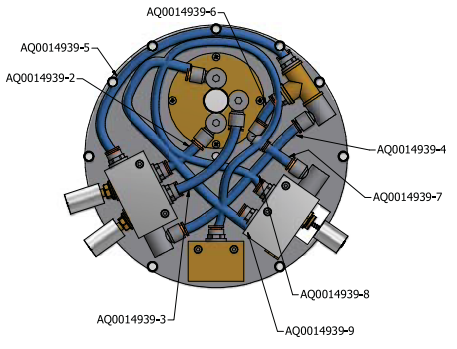
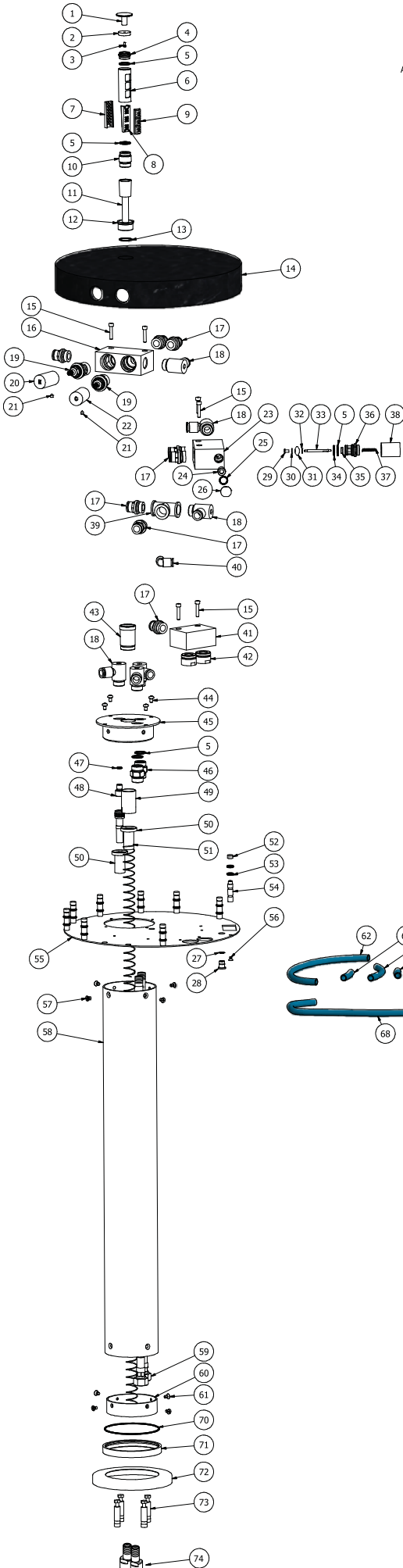
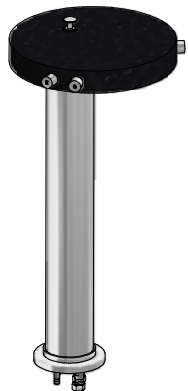
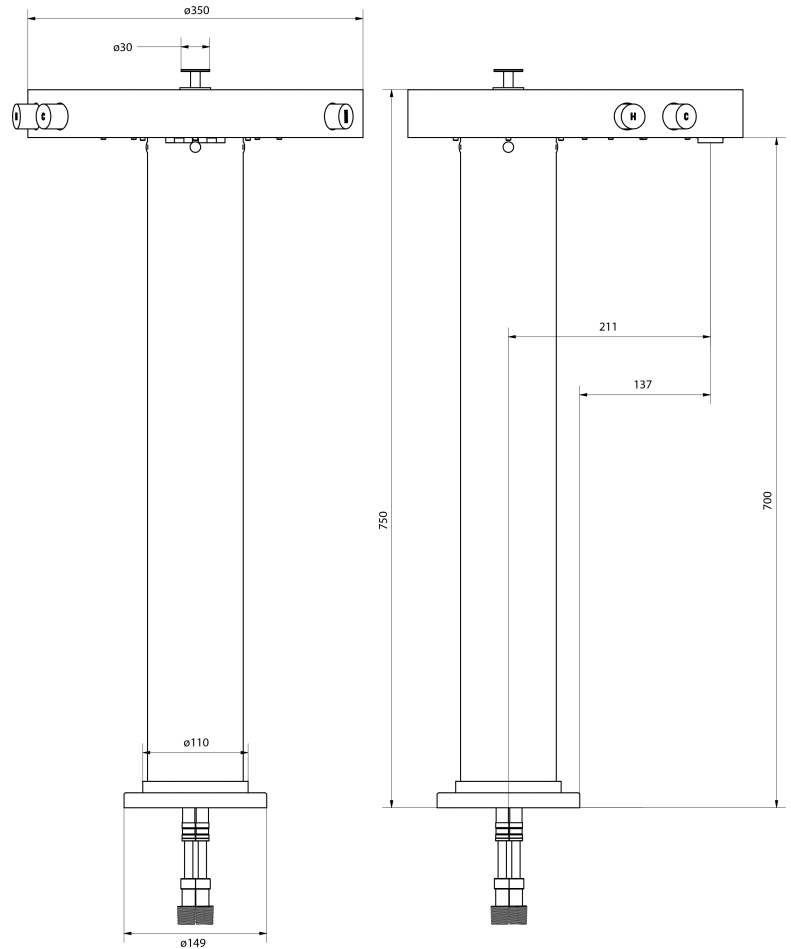


TABELLA			
CODICE TUBO	DA	A	LUNGHEZZA
AQ0014939-2	Attacco flessibile calda	Entrata vitone dietro calda	90 mm
AQ0014939-3	Attacco flessibile freddo	Entrata vitone dietro freddo	152 mm
AQ0014939-4	Uscita vitone fianco L freddo	Attacco T a L	225 mm
AQ0014939-5	Uscita vitone fianco dritto calda	Attacco T dritto	355 mm
AQ0014939-6	Uscita T	Curva L	45 mm
AQ0014939-7	Curva T	entrata deviatore fianco destro L	60 mm
AQ0014939-8	Uscita deviatore dietro dritto	Entrata aeratori	630 mm
AQ0014939-9	Uscita deviatore fianco sinistro L	Attacco flessibile doccia	345 mm



# AQUABRASS

## CL85BC



### Product Description

#### Floormount tub filler with hidden handshower

- solid brass construction
- crystal clear water flow
- hot and cold water temperature controls
- dual water output
- hidden microphone handshower with 5' grey nylon hose
- push-button diverter
- 1/2" connection

height: 29<sup>1/2"</sup>

overall projection: 13<sup>3/4"</sup>

flow rate: (tub filler) 6.5 gpm (handshower) 2.5 gpm

#### **FINISHES**

Standard

Polished chrome (pc)

Custom

15 custom finishes available

(ask your local Aquabrace authorized dealer for details)

ELEM	CODE	DESCRIPTION	QT
1	AC0012509	Knob for hand shower Ø30 H20	1
2	AC0010529	Upper plug hand shower	1
3	AQ0012178	Inox screw M3x6 ISO 7046	1
4	AS0010528	Connection piece for hand shower	1
5	AQ0004630	OR 17.16x1.78 NBR 70 SH	5
6	AC0011852	Hand shower body Ø32 H62	1
7	AQ0013936	ABS gasket support	1
8	AQ0013935	ABS gasket support	1
9	AQ0013934	Gasket	1
10	AC0010699	Connection piece for hose	1
11	AQ0015040	Grey nylon hose M15x1 G1/2" cone DN8 L110	1
12	AC0012501	Insert Ø32 M28x1.5 H15	1
13	AQ0009982	OR 22x1 NBR 70 SH	1
14	AQ0014841	Marble cover Ø350 H50 carrara's white	1
15	AQ0010948	Inox screw M5x25	6
16	AC0012510	Base for headworks 95x55x98	1
17	AS0012511	Connection piece G1/2" Ø12 (2001015)	8
18	AS0012512	L connection piece G1/2" Ø12 (2014012)	6
19	AQ0009742	Ceramic headwork 3/4" F	2
20	ACH012513	Handle Ø26 H45 stamped H	1
21	AQ0014670	Grubscrew M5x6 cone point	2
22	ACC012513	Handle Ø26 H45 stamped C	1
23	AC0012593	Base for diverter 60x38x90	1
24	AQ0009400	Water drain valve Ø14	1
25	AQ0004610	OR 12.42x1.78 NBR 70 SH	1
26	AS0012592	Plug Ø20 H15,2 M16x1	1
27	AQ0009417	OR 7x1 NBR 70 SH	1
28	AC0011087	Connection piece M10x1 H14	1
29	AS0011816	Screw M3 L9	1
30	AS0011840	Inox washer UNI 6592 M4	1
31	AQ0013871	Biconic rubber Ø17x3,75x8	1
32	AS0011839	Inox washer UNI 6593 M3	1
33	AS0012515	Diverter's rod Ø4 M3 L50	1
34	AQ0004600	OR 15.6x1.78 NBR 70 SH	1
35	AC0013872	Gaco 11 Ø X 3.5 NBR 70 SH	1
36	AS0011815	Diverter body M21x1 M19x1 L26,2	1
37	AQ0014936	Spring De5,4 D14,4 D10,5 S118, Lo25	1
38	ACT012516	Diverter knob Ø26 H35 stamped	1
39	AQ0009451	Fitting T G1/2"	1
40	AS0012517	L connection Ø12 (2004006)	1
41	AS0012518	Base for aerators 70x50x33	1
42	AQ0009068	Neostrah LP flow straightener - TF size (01,455,00001)	2
43	AC0012586	Cover's support Ø30 M27x1 M28x1 H44,5	1
44	AQ0010664	Inox screw M5x8	4
45	AS0012519	Inset for pipe Ø120 Ø93,8 H33	1
46	AS0010301	Reduction G1/2" M G1/2" M with valve seat	2
47	AQ0001330	OR 6,75x1,78 NBR 70 SH	1
48	AS0012567	Junction M10x1 M15x1 H21,5	1
49	AS0012520	Hand shower's support M27x1 H42	1
50	AS0012568	Insert Ø30 Ø19 H40	2
51	AQ0015039	Spring De21,5, D119,3 (option)	1
52	AS0012581	Plug for column Ø10,5 Ø8 H5,5	9
53	AQ0009819	OR 7x3 NBR 70 SH	18
54	AS0012580	Column Ø9,8 H39,5 M4	9
55	AS0012521	Plate Ø330 H42	1
56	AQ0013736	Inox screw M4x6	9
57	AQ013722	Inox screw M5x8 polish	4
58	AC0012525	Pipe Ø100 H700	1
59	ABFH84953	Inox hose G1/2" F G1/2" F L715 DN10	2
60	AS0012523	Flange Ø94,8 Ø60 H25	1
61	AQ0013722	Inox screw M5x8	4
62	AQ0014939-5	Pipe MB longlife polyurethane 98 Ø12x9 L355	1
63	AQ0014939-2	Pipe MB longlife polyurethane 98 Ø12x9 L90 mm	1
64	AQ0014939-3	Pipe MB longlife polyurethane 98 Ø12x9 L152	1
65	AQ0014939-6	Pipe MB longlife polyurethane 98 Ø12x9 L45	1
66	AQ0014939-7	Pipe MB longlife polyurethane 98 Ø12x9 L60	1
67	AQ0014939-4	Pipe MB longlife polyurethane 98 Ø12x9 L225	1
68	AQ0014939-8	Pipe MB longlife polyurethane 98 Ø12x9 L345	1
69	AQ0014939-9	Pipe MB longlife polyurethane 98 Ø12x9 L630	1
70	AQ0014966	OR 100x2 NBR 70 SH	1
71	AC0012543	Ring for pipe Ø110 H12	1
72	AC0012522	Round carter Ø149 Ø100,5 H15,5	1
73	AQ0010075	Inox plug M8x60	4
74	ABFP84959	Assymetrical hose adapter	2

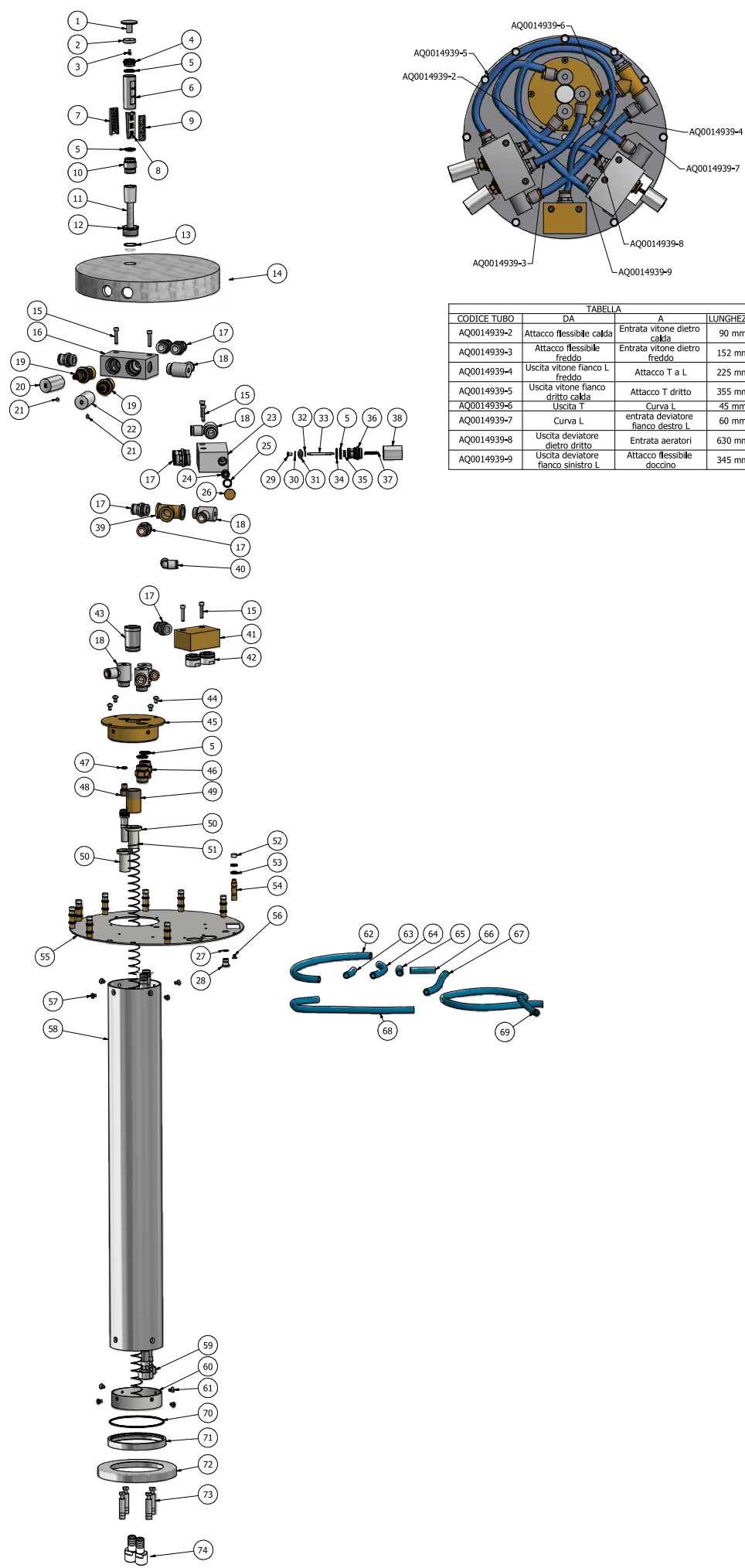


TABELLA			
CODICE TUBO	DA	A	LUNGHEZZA
AQ0014939-2	Attacco flessibile calda	Entrata vitone dietro calda	90 mm
AQ0014939-3	Attacco flessibile freddo	Entrata vitone dietro freddo	152 mm
AQ0014939-4	Uscita vitone fianco L freddo	Attacco T a L	225 mm
AQ0014939-5	Uscita vitone fianco dritto calda	Attacco T dritto	355 mm
AQ0014939-6	Uscita T	Curva L	45 mm
AQ0014939-7	Curva L	entrata deviatore fianco destro L	60 mm
AQ0014939-8	Uscita deviatore dietro dritto	Entrata aeratori	630 mm
AQ0014939-9	Uscita deviatore fianco sinistro L	Attacco flessibile doccia	345 mm

## TECHNICAL DATA

Minimum dynamic pressure: \_\_\_\_\_ 0.5 bar

Maximum operational pressure: \_\_\_\_\_ 5 bar

Recommended operational pressure: \_\_\_\_\_ 1-5 bar

It's recommended to use a pressure reducer in case of static pressure superior than 5 bar inside the waterpipe.

Maximum hot water temperature: \_\_\_\_\_ 80°C

## INSTALLATION, MAINTENANCE AND PRELIMINARY CHECKING PROCEDURE

In order to get your device work correctly and fine in time, must ensure compliance with the mode of installation and maintenance described in this booklet. Relying on a qualified plumber. Make sure that the system is free from all debris and impurities existing.

### INSTALLATION

**Fig. 1-2:** Make a 56 mm - 2.2 in hole. Create an hydric system taking in consideration a water entrance measure of G ½" M, a centre to centre distance of 28 mm - 1.1 in. The water inlets/ outlets have to be 5 mm - 0.2 in from the finished floor, cladding included.

**Fig. 3:** Take off the bottom screws and extract the fixing plate.

**Fig. 4:** Insert the ring and the covering plate around the pipe.

**Fig. 5:** Fix the plate to the floor using the plugs. Verify the orientation considering the bathtub position.

After connecting the body to the system, turn on the stopcocks and check that the mixer tap unit operates correctly. keep the tap pressurised for a few minutes checking eventual leaks.

**Fig. 6:** Fix the pipe using the screws removed beforehand. Lower the ring and the covering carter to the floor.

### Installation with floor standing system MR039

Take care to follow the MR039 instructions in order to install in a correct way the floor standing system.

**Fig. 1:** Take off the bottom screws and extract the fixing plate.

**Fig. 2:** Insert the ring and the covering plate around the pipe.

**Fig. 3:** Remove the caps from the floor standing system.

**Fig. 4:** Using the specific screws, fix the plate to the floor standing system.

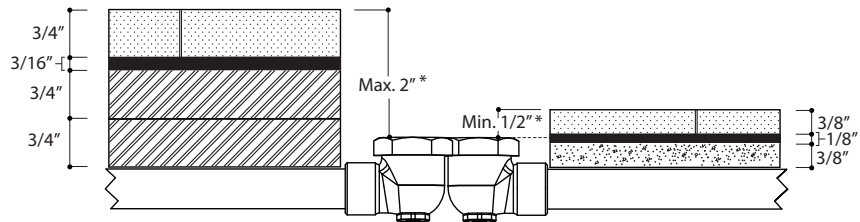
**Fig. 5:** connect the flexibles to the junctions of the floor standing system. Place the pipe on the fixing plate until it's completely fixed.

After connecting the body to the system, turn on the stopcocks and check that the mixer tap unit operates correctly. keep the tap pressurised for a few minutes checking eventual leaks.

**Fig. 6:** Fix the pipe using the screws removed beforehand. Lower the ring and the covering carter to the floor.

# AQUABRASS

## "EASY FIT" a job-site friendly installation system

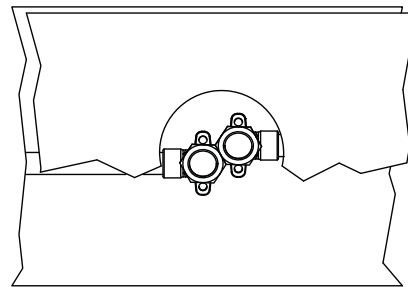
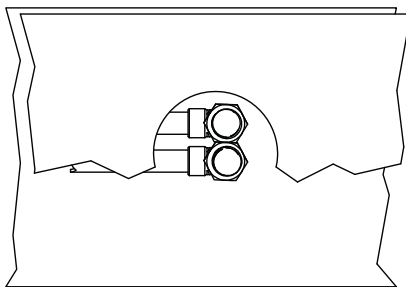
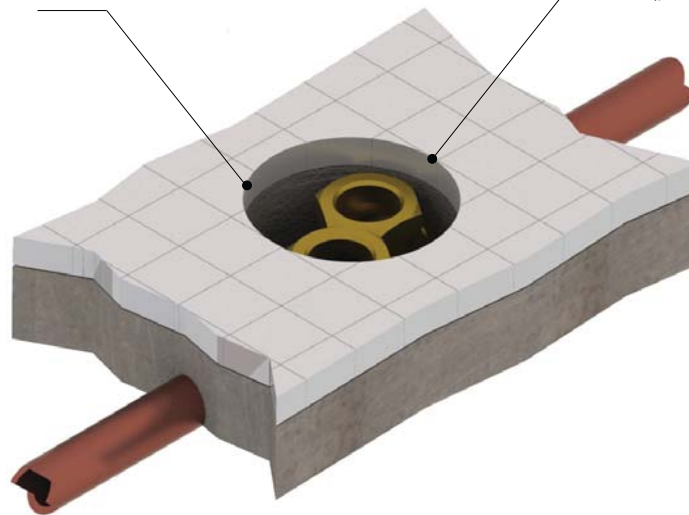


\* If set deeper, use standard commercially available male-female extension.

\* Si c'est plus profond, utiliser une extension mâle-femelle standard.

Ouverture recommandée:  
ø 2 1/4" ou moins

Recommended opening:  
ø 2 1/4" or less



Optimize your rough configuration for a minimum C-C between hot & cold inlets (see examples).  
The orientation of the pair of supply connections is independent from the final spout position.

Optimiser la configuration du brut pour minimiser le C-C entre l'entrée de l'eau chaude et froide.  
L'orientation des alimentations n'a aucun impact sur la direction finale du bec.

Fig. 3

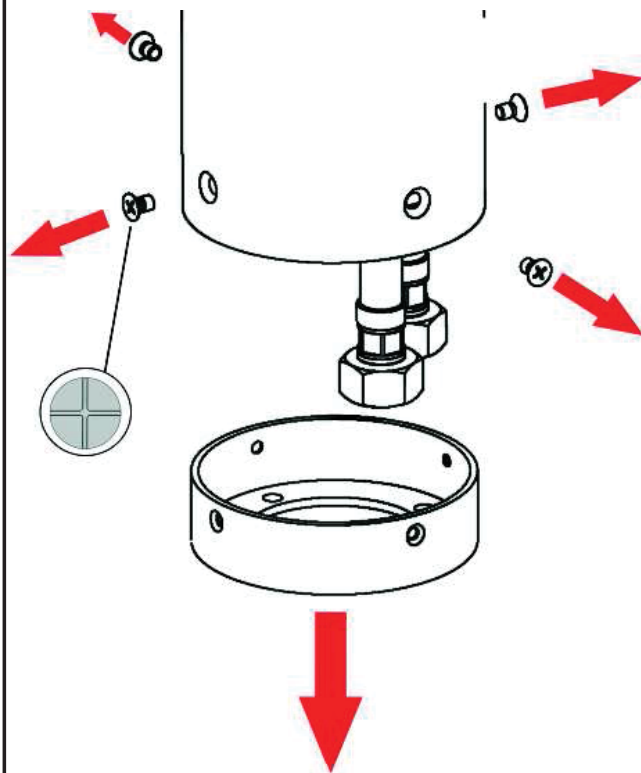


Fig. 4

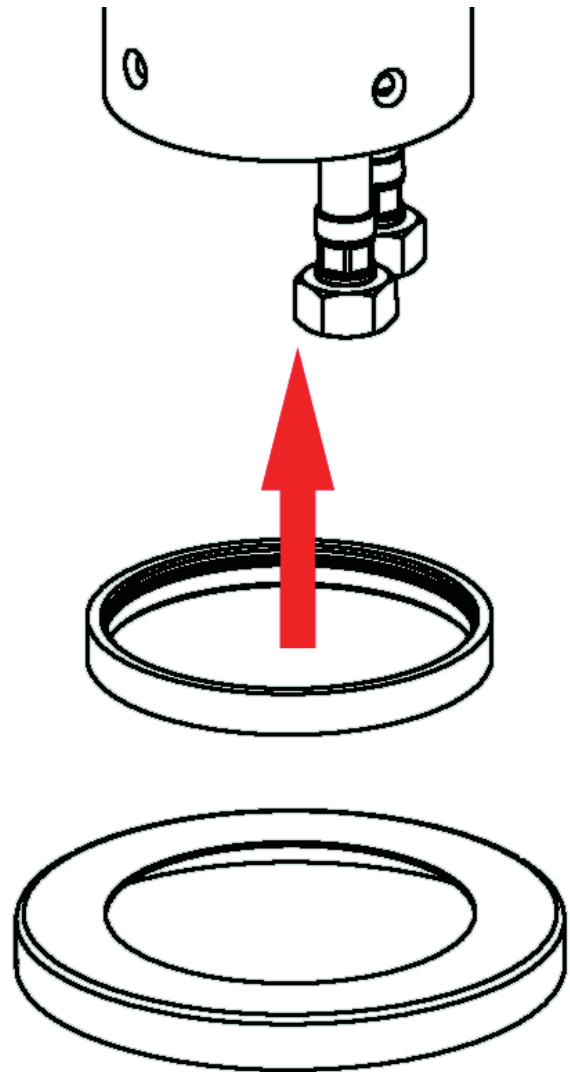


Fig. 5

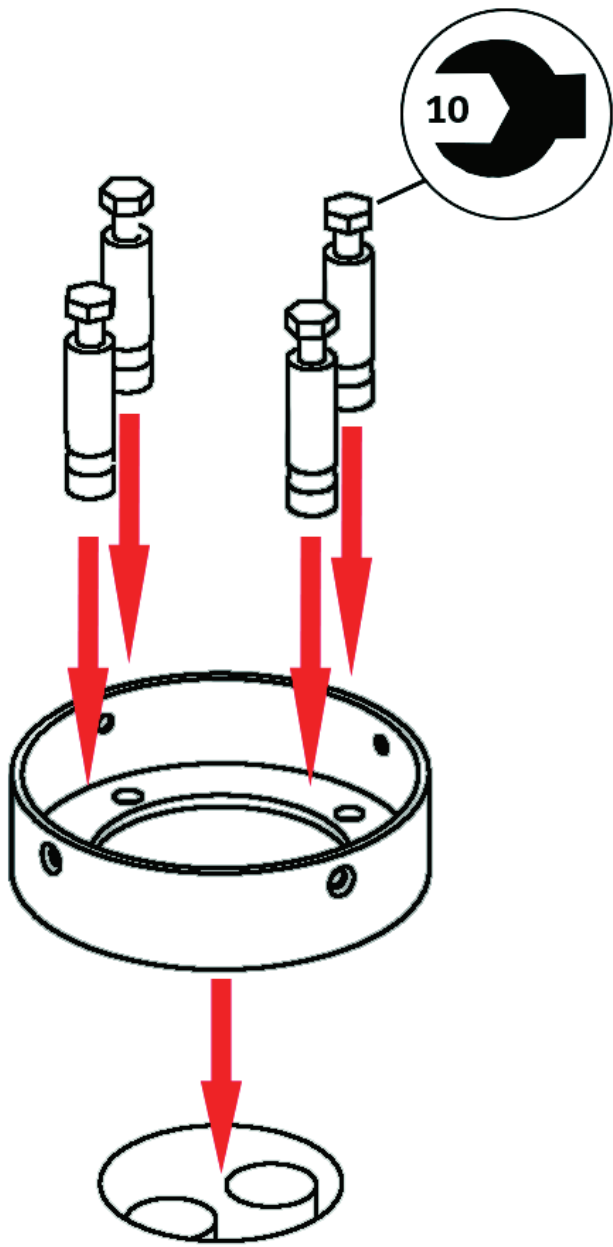


Fig. 6

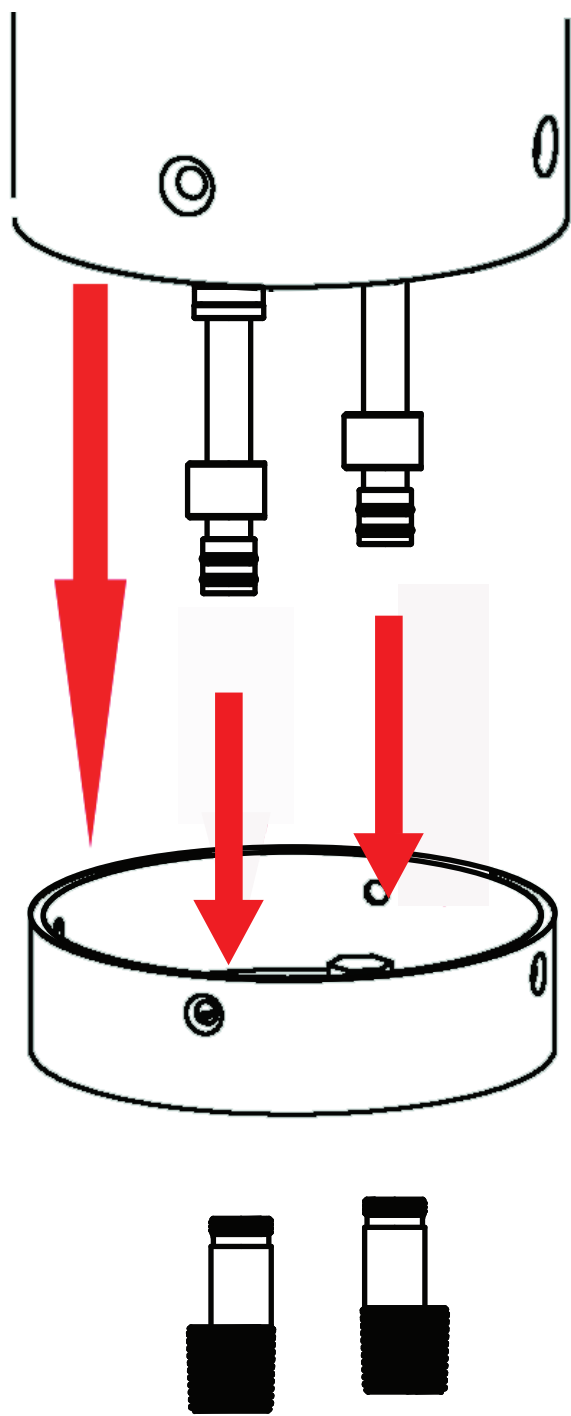
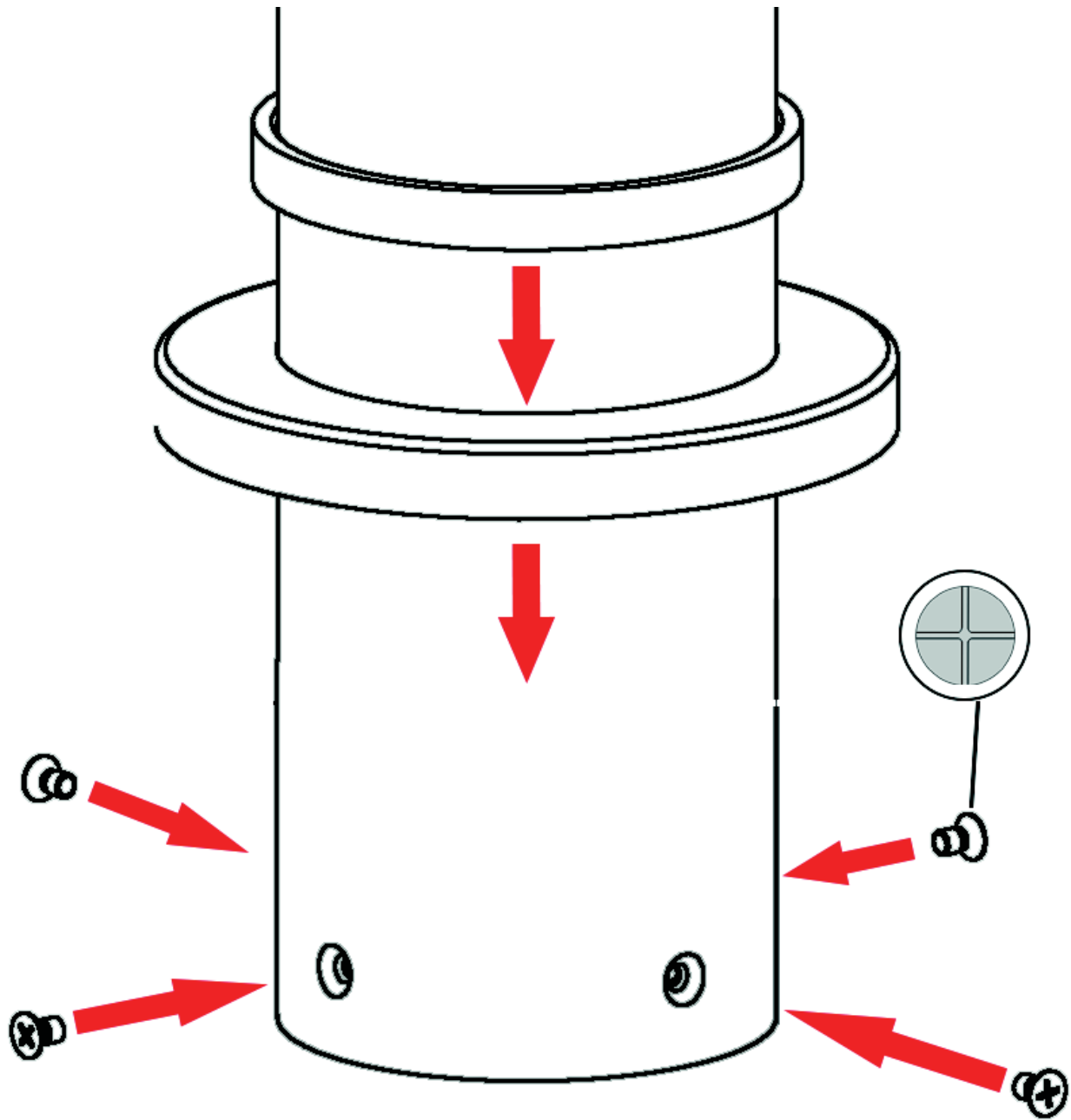
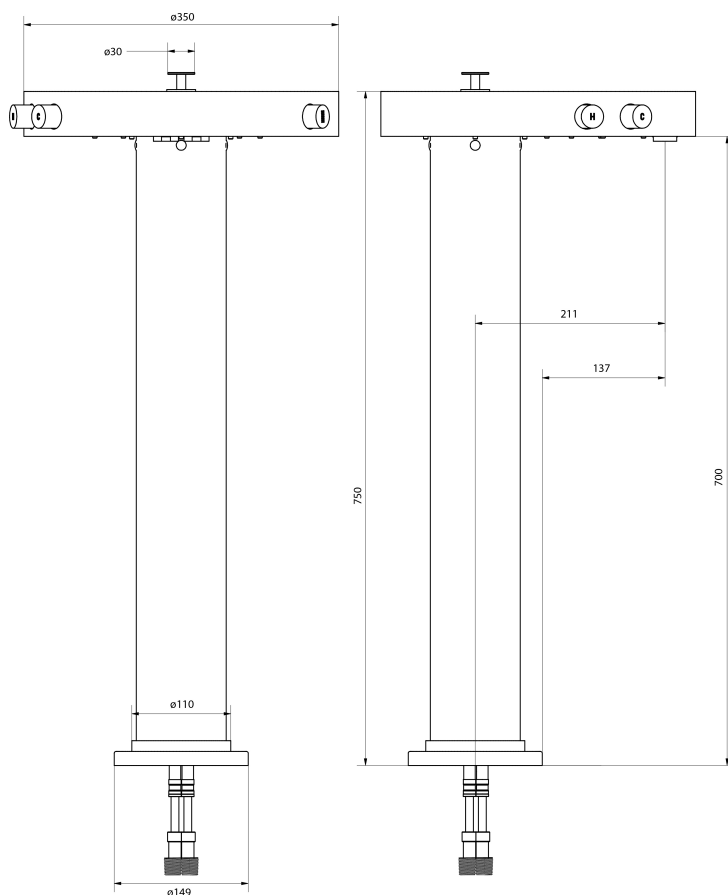




Fig. 7



## CL85NM



### Description du produit

#### Robinet de bain au sol avec douchette dissimulée

- laiton massif
- jet d'eau cristallin
- contrôles d'eau chaude et froide
- sortie d'eau double
- douchette microphone dissimulée avec boyau de nylon gris de 5'
- déviateur à bouton-poussoir
- raccordement 1/2"

hauteur : 29<sup>1/2</sup>"

projection totale : 13<sup>3/4</sup>"

débit : (bec) 6.5 gpm (douchette) 2.5 gpm

#### **FINIS**

Standard

Chrome poli (pc)

Sur mesure

15 finis sur mesure disponible

(pour plus d'information, demander conseil à votre détaillant

ELEM	CODE	DESCRIPTION	QT
1	AC0012509	Knob for hand shower Ø30 H20	1
2	AC0010529	Upper plug hand shower	1
3	AQ0012178	Inox screw M3x6 ISO 7046	1
4	AS0010528	Connection piece for hand shower	1
5	AQ0004630	OR 17.16x1.78 NBR 70 SH	5
6	AC0011852	Hand shower body Ø32 H62	1
7	AQ0013936	ABS gasket support	1
8	AQ0013935	ABS gasket support	1
9	AQ0013934	Gasket	1
10	AC0010699	Connection piece for hose	1
11	AQ0015040	Grey nylon hose M15x1 G1/2" cone DN8 L110	1
12	AC0012501	Insert Ø32 M28x1.5 H15	1
13	AQ0009982	OR 22x1 NBR 70 SH	1
14	AQ0014851	Marble cover Ø350 H50 marquinia's black	1
15	AQ0010948	Inox screw M5x25	6
16	AC0012510	Base for headworks 95x55x98	1
17	AS0012511	Connection piece G1/2" Ø12 (2001015)	8
18	AS0012512	L connection piece G1/2" Ø12 (2014012)	6
19	AQ0009742	Ceramic headwork 3/4" F	2
20	ACH012513	Handle Ø26 H45 stamped H	1
21	AQ0014670	Grubscrew M5x6 cone point	2
22	ACC012513	Handle Ø26 H45 stamped C	1
23	AC0012593	Base for diverter 60x38x90	1
24	AQ0009400	Water drain valve Ø14	1
25	AQ0004610	OR 12.42x1.78 NBR 70 SH	1
26	AS0012592	Plug Ø20 H15,2 M16x1	1
27	AQ0009417	OR 7x1 NBR 70 SH	1
28	AC0011087	Connection piece M10x1 H14	1
29	AS0011816	Screw M3 L9	1
30	AS0011840	Inox washer UNI 6592 M4	1
31	AQ0013871	Biconic rubber Ø17x3,75x8	1
32	AS0011839	Inox washer UNI 6593 M3	1
33	AS0012515	Diverter's rod Ø4 M3 L50	1
34	AQ0004600	OR 15.6x1.78 NBR 70 SH	1
35	AC0013872	Gaco 11,9 X 3,5 NBR 70 SH	1
36	AS0011815	Diverter body M21x1 M19x1 L26,2	1
37	AC0014936	Spring De5,4, D14,4, D10,5, S118, Lo25	1
38	ACT012516	Diverter knob Ø26 H35 stamped	1
39	AQ0009451	Fitting T G1/2"	1
40	AS0012517	L connection Ø12 (2004006)	1
41	AS0012518	Base for aerators 70x50x33	1
42	AQ0009068	Neostrah LP flow straightener - TF size (01,455,00001)	2
43	AC0012586	Cover's support Ø30 M27x1 M28x1 H44,5	1
44	AQ0010664	Inox screw M5x8	4
45	AS0012519	Inset for pipe Ø120 Ø93,8 H33	1
46	AS0010301	Reduction G1/2" M G1/2" M with valve seat	2
47	AQ0001330	OR 6,75x1,78 NBR 70 SH	1
48	AS0012567	Junction M10x1 M15x1 H21,5	1
49	AS0012520	Hand shower's support M27x1 H42	1
50	AS0012568	Insert Ø30 Ø19 H40	2
51	AQ0015039	Spring De21,5, D119,3, (option)	1
52	AS0012581	Plug for column Ø10,5 Ø8 H5,5	9
53	AQ0009819	OR 7x3 NBR 70 SH	18
54	AS0012580	Column Ø9,8 H39,5 M4	9
55	AS0012521	Plate Ø330 H42	1
56	AQ0013736	Inox screw M4x6	9
57	AQ013722	Inox screw M5x8 polish	4
58	AC0012525	Pipe Ø100 H700	1
59	ABFH84953	Inox hose G1/2" F G1/2" F L715 DN10	2
60	AS0012523	Flange Ø94,8 Ø60 H25	1
61	AQ0013722	Inox screw M5x8	4
62	AQ0014939-5	Pipe MB longlife polyurethane 98 Ø12x9 L355	1
63	AQ0014939-2	Pipe MB longlife polyurethane 98 Ø12x9 L90 mm	1
64	AQ0014939-3	Pipe MB longlife polyurethane 98 Ø12x9 L152	1
65	AQ0014939-6	Pipe MB longlife polyurethane 98 Ø12x9 L45	1
66	AQ0014939-7	Pipe MB longlife polyurethane 98 Ø12x9 L60	1
67	AQ0014939-4	Pipe MB longlife polyurethane 98 Ø12x9 L225	1
68	AQ0014939-8	Pipe MB longlife polyurethane 98 Ø12x9 L345	1
69	AQ0014939-9	Pipe MB longlife polyurethane 98 Ø12x9 L630	1
70	AQ0014966	OR 100x2 NBR 70 SH	1
71	AC0012543	Ring for pipe Ø110 H12	1
72	AC0012522	Round carter Ø149 Ø100,5 H15,5	1
73	AQ0010075	Inox plug M8x60	4
74	ABFP84959	Assymetrical hose adapter	2

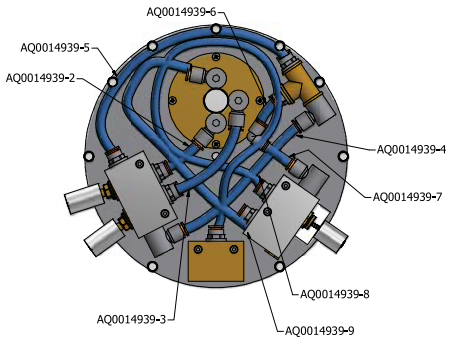
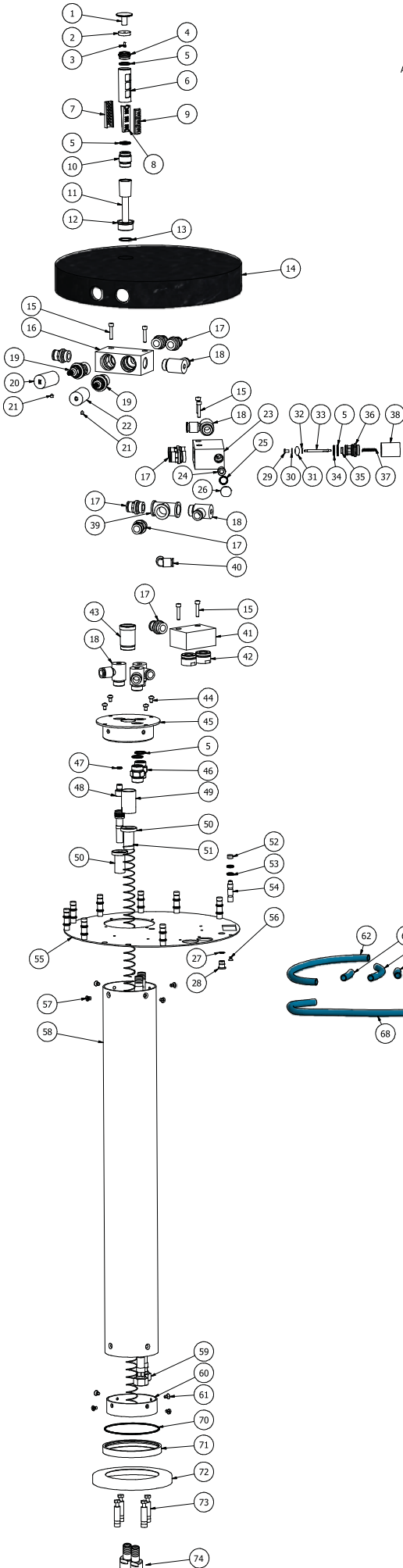
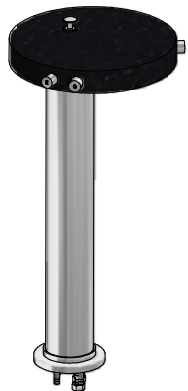
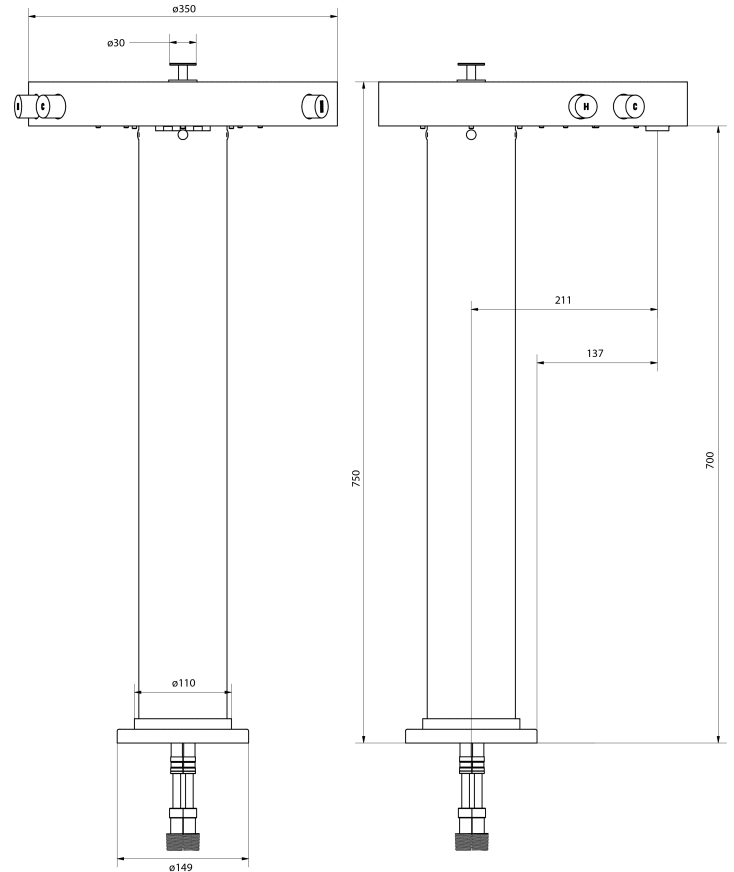


TABELLA			
CODICE TUBO	DA	A	LUNGHEZZA
AQ0014939-2	Attacco flessibile calda	Entrata vitone dietro calda	90 mm
AQ0014939-3	Attacco flessibile freddo	Entrata vitone dietro freddo	152 mm
AQ0014939-4	Uscita vitone fianco L freddo	Attacco T a L	225 mm
AQ0014939-5	Uscita vitone fianco dritto calda	Attacco T dritto	355 mm
AQ0014939-6	Uscita T	Curva L	45 mm
AQ0014939-7	Curva T	entrata deviatore fianco destro L	60 mm
AQ0014939-8	Uscita deviatore dietro dritto	Entrata aeratori	630 mm
AQ0014939-9	Uscita deviatore fianco sinistro L	Attacco flessibile doccia	345 mm



## CL85BC



### Description du produit

#### Robinet de bain au sol avec douchette dissimulée

- laiton massif
- jet d'eau cristallin
- contrôles d'eau chaude et froide
- sortie d'eau double
- douchette microphone dissimulée avec boyau de nylon gris de 5'
- déviateur à bouton-poussoir
- raccordement 1/2"

hauteur : 29<sup>1/2</sup>"

projection totale : 13<sup>3/4</sup>"

débit : (bec) 6.5 gpm (douchette) 2.5 gpm

#### **FINIS**

Standard

Chrome poli (pc)

Sur mesure

15 finis sur mesure disponible

(pour plus d'information, demander conseil à votre détaillant)

ELEM	CODE	DESCRIPTION	QT
1	AC0012509	Knob for hand shower Ø30 H20	1
2	AC0010529	Upper plug hand shower	1
3	AQ0012178	Inox screw M3x6 ISO 7046	1
4	AS0010528	Connection piece for hand shower	1
5	AQ0004630	OR 17.16x1.78 NBR 70 SH	5
6	AC0011852	Hand shower body Ø32 H62	1
7	AQ0013936	ABS gasket support	1
8	AQ0013935	ABS gasket support	1
9	AQ0013934	Gasket	1
10	AC0010699	Connection piece for hose	1
11	AQ0015040	Grey nylon hose M15x1 G1/2" cone DN8 L110	1
12	AC0012501	Insert Ø32 M28x1.5 H15	1
13	AQ0009982	OR 22x1 NBR 70 SH	1
14	AQ0014841	Marble cover Ø350 H50 carrara's white	1
15	AQ0010948	Inox screw M5x25	6
16	AC0012510	Base for headworks 95x55x98	1
17	AS0012511	Connection piece G1/2" Ø12 (2001015)	8
18	AS0012512	L connection piece G1/2" Ø12 (2014012)	6
19	AQ0009742	Ceramic headwork 3/4" F	2
20	ACH012513	Handle Ø26 H45 stamped H	1
21	AQ0014670	Grubscrew M5x6 cone point	2
22	ACC012513	Handle Ø26 H45 stamped C	1
23	AC0012593	Base for diverter 60x38x90	1
24	AQ0009400	Water drain valve Ø14	1
25	AQ0004610	OR 12.42x1.78 NBR 70 SH	1
26	AS0012592	Plug Ø20 H15,2 M16x1	1
27	AQ0009417	OR 7x1 NBR 70 SH	1
28	AC0011087	Connection piece M10x1 H14	1
29	AS0011816	Screw M3 L9	1
30	AS0011840	Inox washer UNI 6592 M4	1
31	AQ0013871	Biconic rubber Ø17x3,75x8	1
32	AS0011839	Inox washer UNI 6593 M3	1
33	AS0012515	Diverter's rod Ø4 M3 L50	1
34	AQ0004600	OR 15.6x1.78 NBR 70 SH	1
35	AC0013872	Gaco 11 Ø X 3.5 NBR 70 SH	1
36	AS0011815	Diverter body M21x1 M19x1 L26,2	1
37	AQ0014936	Spring De5,4 D14,4 D10,5 S118, Lo25	1
38	ACT012516	Diverter knob Ø26 H35 stamped	1
39	AQ0009451	Fitting T G1/2"	1
40	AS0012517	L connection Ø12 (2004006)	1
41	AS0012518	Base for aerators 70x50x33	1
42	AQ0009068	Neostrah LP flow straightener - TF size (01,455,00001)	2
43	AC0012586	Cover's support Ø30 M27x1 M28x1 H44,5	1
44	AQ0010664	Inox screw M5x8	4
45	AS0012519	Inset for pipe Ø120 Ø93,8 H33	1
46	AS0010301	Reduction G1/2" M G1/2" M with valve seat	2
47	AQ0001330	OR 6,75x1,78 NBR 70 SH	1
48	AS0012567	Junction M10x1 M15x1 H21,5	1
49	AS0012520	Hand shower's support M27x1 H42	1
50	AS0012568	Insert Ø30 Ø19 H40	2
51	AQ0015039	Spring De21,5, D119,3 (option)	1
52	AS0012581	Plug for column Ø10,5 Ø8 H5,5	9
53	AQ0009819	OR 7x3 NBR 70 SH	18
54	AS0012580	Column Ø9,8 H39,5 M4	9
55	AS0012521	Plate Ø330 H42	1
56	AQ0013736	Inox screw M4x6	9
57	AQ013722	Inox screw M5x8 polish	4
58	AC0012525	Pipe Ø100 H700	1
59	ABFH84953	Inox hose G1/2" F G1/2" F L715 DN10	2
60	AS0012523	Flange Ø94,8 Ø60 H25	1
61	AQ0013722	Inox screw M5x8	4
62	AQ0014939-5	Pipe MB longlife polyurethane 98 Ø12x9 L355	1
63	AQ0014939-2	Pipe MB longlife polyurethane 98 Ø12x9 L90 mm	1
64	AQ0014939-3	Pipe MB longlife polyurethane 98 Ø12x9 L152	1
65	AQ0014939-6	Pipe MB longlife polyurethane 98 Ø12x9 L45	1
66	AQ0014939-7	Pipe MB longlife polyurethane 98 Ø12x9 L60	1
67	AQ0014939-4	Pipe MB longlife polyurethane 98 Ø12x9 L225	1
68	AQ0014939-8	Pipe MB longlife polyurethane 98 Ø12x9 L345	1
69	AQ0014939-9	Pipe MB longlife polyurethane 98 Ø12x9 L630	1
70	AQ0014966	OR 100x2 NBR 70 SH	1
71	AC0012543	Ring for pipe Ø110 H12	1
72	AC0012522	Round carter Ø149 Ø100,5 H15,5	1
73	AQ0010075	Inox plug M8x60	4
74	ABFP84959	Assymetrical hose adapter	2

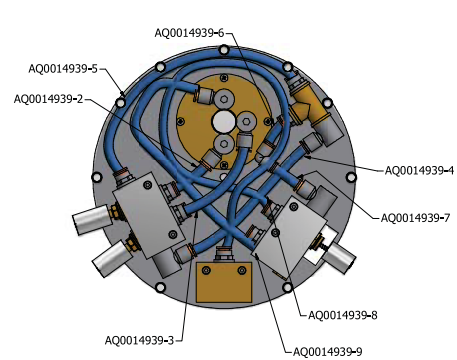
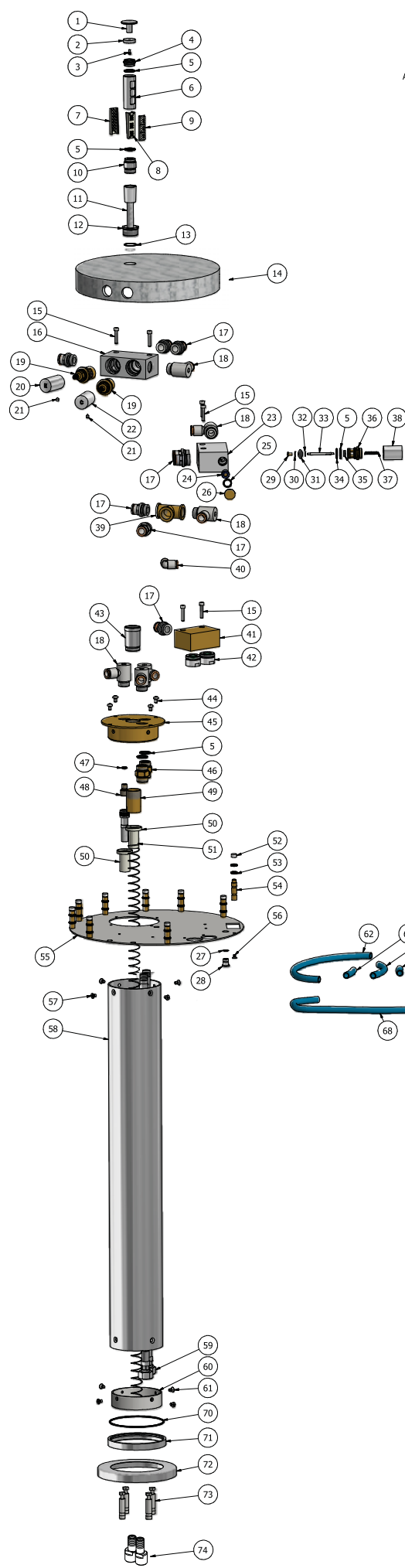
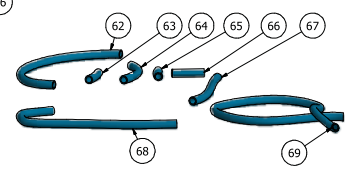


TABELLA			
CODICE TUBO	DA	A	LUNGHEZZA
AQ0014939-2	Attacco flessibile calda	Entrata vitone dietro calda	90 mm
AQ0014939-3	Attacco flessibile freddo	Entrata vitone dietro freddo	152 mm
AQ0014939-4	Uscita vitone fianco L freddo	Attacco T a L	225 mm
AQ0014939-5	Uscita vitone fianco dritto calda	Attacco T dritto	355 mm
AQ0014939-6	Uscita T	Curva L	45 mm
AQ0014939-7	Curva L	entrata deviatore fianco destro L	60 mm
AQ0014939-8	Uscita deviatore dietro dritto	Entrata aeratori	630 mm
AQ0014939-9	Uscita deviatore fianco sinistro L	Attacco flessibile doccia	345 mm



**CARACTERISTIQUES TECHNIQUES**

Pression dynamique minimale : \_\_\_\_\_ 0.5 bar

Pression de service maximale : \_\_\_\_\_ 5 bar

Pression de service recommandée : \_\_\_\_\_ 1-5 bar

Il est recommandé d'utiliser un réducteur de pression en cas,  
dans le système hydraulique, il y a des pressions statiques supérieures à 5 bar.

Température maximum d'eau chaude : \_\_\_\_\_ 80°C

**INSTALLATION, D'ENTRETIEN ET VÉRIFICATIONS PRÉLIMINAIRES**

Pour assurer le bon fonctionnement du produit et il puisse durer dans le temps, il est nécessaire qu'ils soient remplies les procédures de installation et l'entretien définies dans la brochure. S'appuyer sur un plombier qualifié. S'assures que les tuyauteries soient nettoyées par toutes saletés et résidus.

**INSTALLATION****Installation**

**Fig. 1-2 :** Réaliser le puisard Ø56 mm - 2.2 in. Prédistribuer l'alimentation en eau avec un raccordement mâle G1/2" avec un empattement de 28 mm - 1.1 in. Le raccordement doit être à 5 mm - 0.2 in du plancher avec déjà le carrelage ou quand-même un revêtement.

**Fig. 3:** Dévisser les vis et extraire la platine de fixation.

**Fig. 4:** Insérer l'anneau et le platine de couverture.

**Fig. 5:** Fixer la platine de fixation au plancher avec les boulons d'ancrage. Vérifier l'emplacement en correspondance du baignoire.

**Fig. 6:** Visser les flexibles à l'alimentation en eau. Insérer le tuyau dans la platine de fixation et régler de-ci en correspondance des trous.

Après le raccordement du corps à l'alimentation en eau, ouvrir les robinets d'arrêts pour vérifier le bon fonctionnement. Laisser le corps par un mise en pression quelques minutes à vérifier l'absence de fuites.

**Fig. 7:** Fixer le tuyau avec les vis dévissées précédemment.

**Installation avec le système plancher MR039**

S'assurer d'avoir bien installé le système plancher MR039 avec son notice de montage.

**Fig. 1:** Dévisser les vis et extraire la platine de fixation.

**Fig. 2:** Insérer l'anneau et le platine de couverture.

**Fig. 3:** Enlever les capuchons du système plancher

**Fig. 4:** Fixer la platine de fixation au plancher avec les boulons d'ancrage.

**Fig. 5:** Visser les flexibles à l'alimentation en eau. Insérer le tuyau dans la platine de fixation et régler de-ci en correspondance des trous.

Après le raccordement du corps à l'alimentation en eau, ouvrir les robinets d'arrêts pour vérifier le bon fonctionnement. Laisser le corps par un mise en pression quelques minutes à vérifier l'absence de fuites.

**Fig. 6:** Fixer le tuyau avec les vis dévissées précédemment.

## **CLEANING**

Diversify the cleaning of the chromed parts from the marble ones.

Due to the fact that marble is precious and fragile, we suggest to cover it up with a towel during the cleaning process of the metallic parts.

### Chromed metallic parts

In order to obtain a correct cleanliness, exclusively wash them with soap and water, rewash and dry them with a soft towel and deerskin. Avoid the usage of alcohol, solvents, solid or liquid detergents which contain corrosive or acidic substances, abrasive sponges, swab with metallic strings because they could irreversibly compromise the surfaces.

### Marble parts

Use water with a low alcohol concentration to clean the marble parts, otherwise use a soap with a neutral PH. Avoid the usage of all the acidic substances. Do not use lemon juice, citric acid, wine vinegar, apple vinegar, aggressive detergents and other solutions which may result acidic or corrosive. **DON'T LET THE MARBLE PARTS GET IN TOUCH WITH ANTI-LIMESCALE PRODUCTS** due to the fact that marble is a calcareous rock and it would be corroded. Avoid abrasive products and all the things that could scratch the marble and wreck it irreversibly.

**THE USAGE OF THIS KIND OF DETERGNETS DURING THE CLEANING OF THE MIXER EXCLUDE FROM ANY WARRANTY OBLIGATION.**

## **NETTOYAGE**

Diversifier le nettoyage des pièces chromées à différence des pièces en marbre. Etant le marbre, un matériel amende et délicate, il est recommandé à couvrir de-ci, avec un chiffon pendant le nettoyage des pièces en laiton.

### Pièces en laiton chromé.

Afn d'assurer un bon nettoyage, laver exclusivement avec eau et savon, rincer et essuyer avec un chiffon doux. N'utiliser jamais alcool, solvants, de poudres à récurer ni de nettoyeurs acides et éponges abrasives ou éponges métalliques car risquent de causer des dommages irrémédiables.

### Pièces en marbre

Pour le nettoyage du marbre, utiliser eau avec une petite concentration d'alcool. En alternative utiliser savon à Ph neutre. N'utiliser jamais nettoyeurs acides. N'utiliser pas jus de citron, acide citrique, vinaigre, vinaigre de pommes, nettoyant agressives ou des autres solutions en résultants acides ou corrosives.

**ÉVITER ABSOLUMENT TOUT CONTACT AVEC PRODUITS ANTICALCAIRES!** Etant le marbre, un rocher calcaire, c'est corrodé par tous les nettoyeurs anticalcaires. Eviter des nettoyeurs abrasifs et toutes les matériels de nettoyage qu'ils pourraient éraflure et casser le marbre irrémédiablement.

**L'UTILISE DES CES DETERGENTS POUR LE NETTOYAGE DU MITIGEUR REND CADUQUE LA GARANTIE SUR LA SURFACE DE-CI.**

AQUABRASS