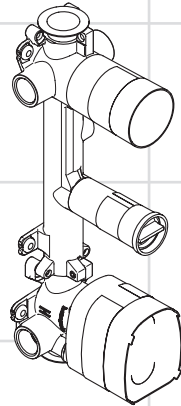


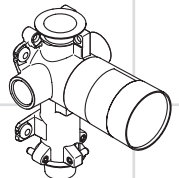
AXOR[®]

hansgrohe

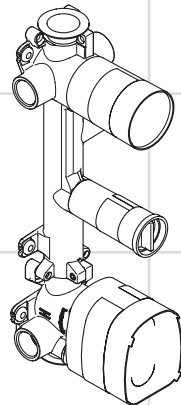
- EN** Installation / User Instructions / Warranty
- FR** Instructions de montage / Mode d'emploi / Garantie
- ES** Instrucciones de montaje / Manejo / Garantía



Citterio E
36701181



Citterio E
36770181



Citterio E
36708181


Technical Information

Recommended water pressure	15 - 75 PSI
Max. water pressure	145 PSI
Recommended hot water temp.	120° - 140° F*
Max. hot water temp	176 °F*
Max. flow rate @ 44 PSI	
36701181, 36708181	10.3 GPM
36770181	11.6 GPM

*Please know and follow all applicable local plumbing codes when setting the temperature on the water heater.

Installation Considerations

- For best results, Hansgrohe recommends that this unit be installed by a licensed, professional plumber.
- Please read over these instructions thoroughly before beginning installation. Make sure that you have all tools and supplies needed to complete the installation.

 **For correct operation of the thermostatic mixer valve, the hot supply must be plumbed to the hot inlet, and the cold supply must be plumbed to the cold inlet.**

- To prevent scald injury, the maximum output temperature of the shower valve must be no higher than 120°F. In Massachusetts, the maximum output temperature can be no higher than 112° F.
- Keep this booklet and the receipt (or other proof of date and place of purchase) for this product in a safe place. The receipt is required should it be necessary to request warranty parts.


Données techniques

Pression d'eau recommandée	15 - 75 PSI
Pression d'eau maximum	145 PSI
Température recommandée d'eau chaude	120° - 140° F*
Température maximum d'eau chaude	176 °F*
Débit à 44 PSI	
36701181, 36708181	10.3 GPM
36770181	11.6 GPM

* Vous devez connaître et respecter tous les codes de plomberie locaux applicables pour le réglage de la température du chauffe-eau.

À prendre en considération pour l'installation

- Pour de meilleurs résultats, Hansgrohe recommande que ce produit soit installé par un plombier professionnel licencié.
- Veuillez lire attentivement ces instructions avant de procéder à l'installation. Assurez-vous de disposer de tous les outils et du matériel nécessaires pour l'installation.

 **Pour que le mitigeur thermostatique fonctionne correctement, la conduite d'alimentation de l'eau chaude doit être installée dans l'orifice d'arrivée prévu pour l'eau chaude, et la conduite d'eau froide doit être installée dans l'orifice d'arrivée prévu pour l'eau froide.**

- Pour empêcher des blessures par ébullition, la température de sortie maximale du robinet de douche ne doit pas excéder 120°F. Au Massachusetts, la température de sortie maximale du robinet de douche ne doit pas excéder 112° F.
- Conservez ce livret et le reçu (ou une autre preuve sur laquelle figurent la date et l'endroit de l'achat) pour ce produit dans un endroit sûr. Le reçu est requis si vous commandez des pièces sous garantie.

Datos técnicos

Presión recomendada en servicio	15 - 75 PSI
Presión en servicio max.	145 PSI
Temperatura recomendada del agua caliente	120° - 140° F*
Temperatura del agua caliente max.	176° F*
Caudal a 44 PSI	
36701181, 36708181	10.3 GPM
36770181	11.6 GPM

*Debe conocer y cumplir todos los códigos locales aplicables para ajustar la temperatura del calentador de agua.

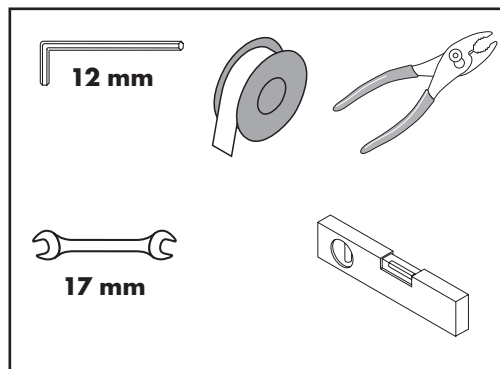
Consideraciones para la instalación

- Para obtener mejores resultados, la instalación debe estar a cargo de un plomero profesional matriculado.
- Antes de comenzar la instalación, lea estas instrucciones detenidamente. Asegúrese de tener las herramientas y los insumos necesarios para completar la instalación.

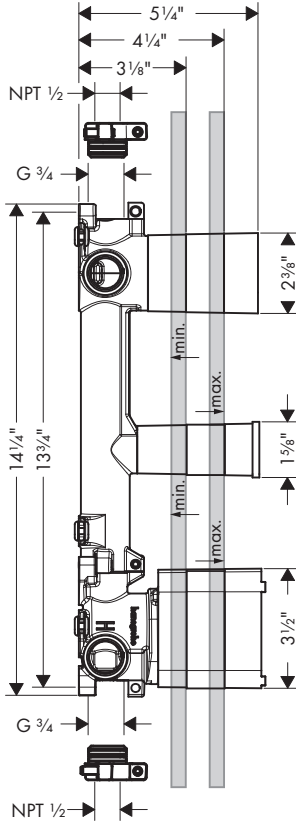
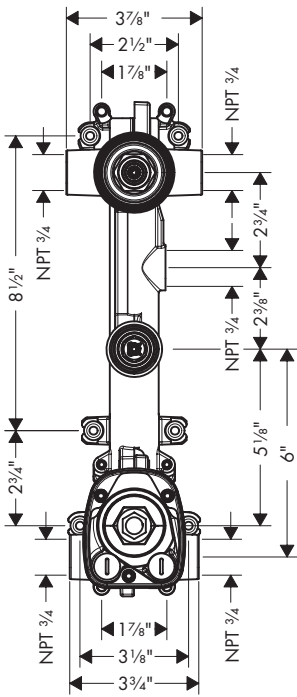
! Para que la válvula del mezclador termostático funcione correctamente, el suministro de agua caliente se debe conectar a la entrada de agua caliente y el de agua fría a la entrada de agua fría.

- Para evitar escaldaduras, la máxima temperatura de salida de la válvula de la ducha no debe exceder los 120°F. En Massachusetts, la máxima temperatura de salida de la válvula de la ducha no debe exceder los 112°F.
- Mantenga este folleto y el recibo (u otro comprobante del lugar y fecha de compra) de este producto en lugar seguro. El recibo se requiere en caso de ser necesario solicitar piezas bajo garantía.

Tools Required / Outils Utiles / Herramientas Útiles



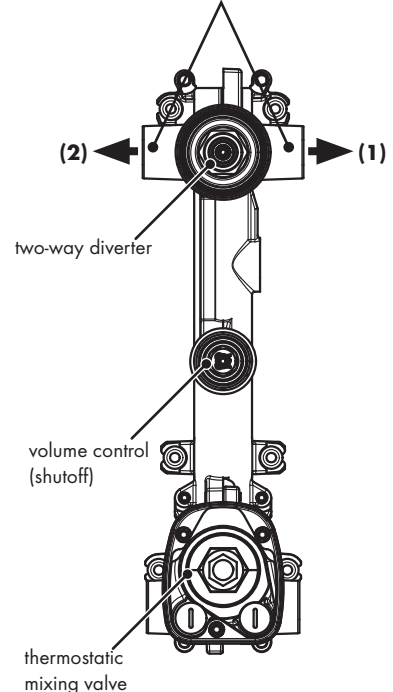
Citterio E
36701181



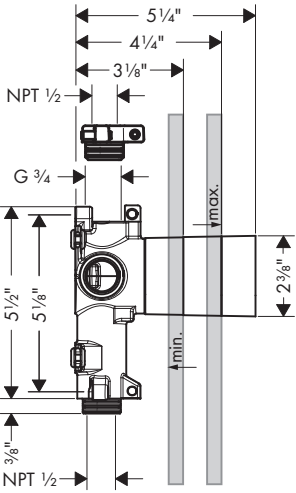
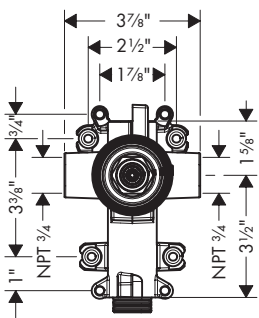
do not plug any of the diverter outlet ports!

Ne mettez de bouchon sur aucun des orifices de sortie du dérivateur!

No tape ninguno de los orificios de salida del distribuidor.



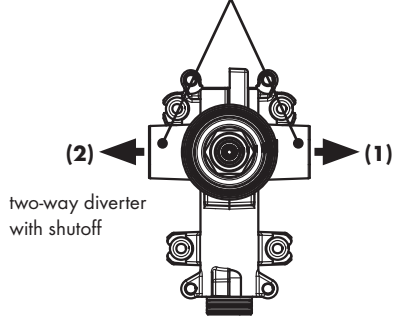
Citterio E
36770181



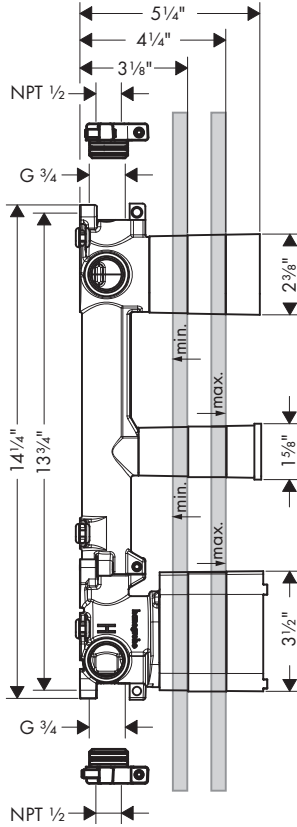
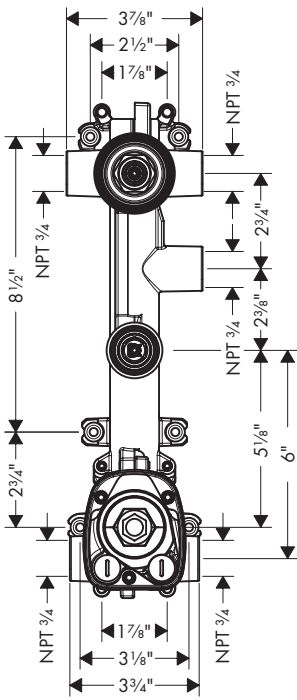
do not plug any of the diverter outlet ports!

Ne mettez de bouchon sur aucun des orifices de sortie du dérivateur!

No tape ninguno de los orificios de salida del distribuidor.



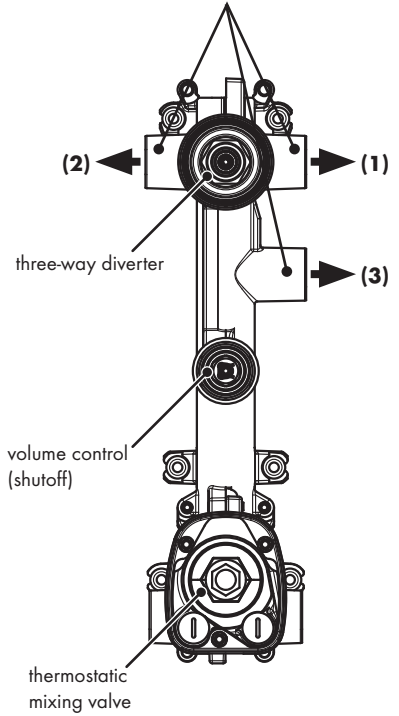
Citterio E
36708181



do not plug any of the diverter outlet ports!

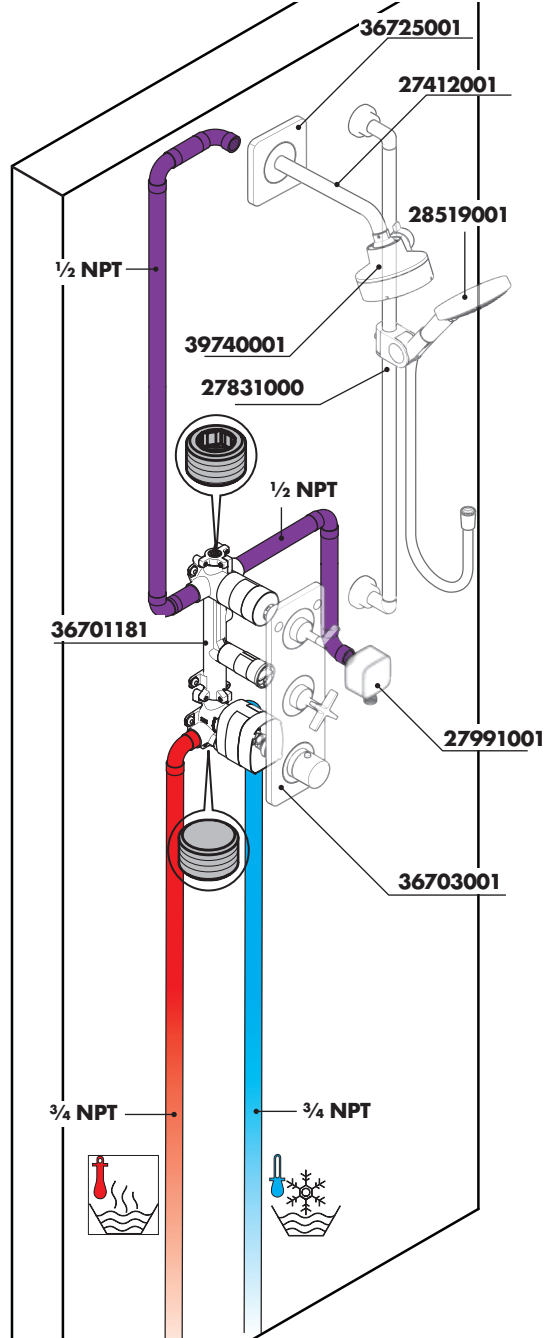
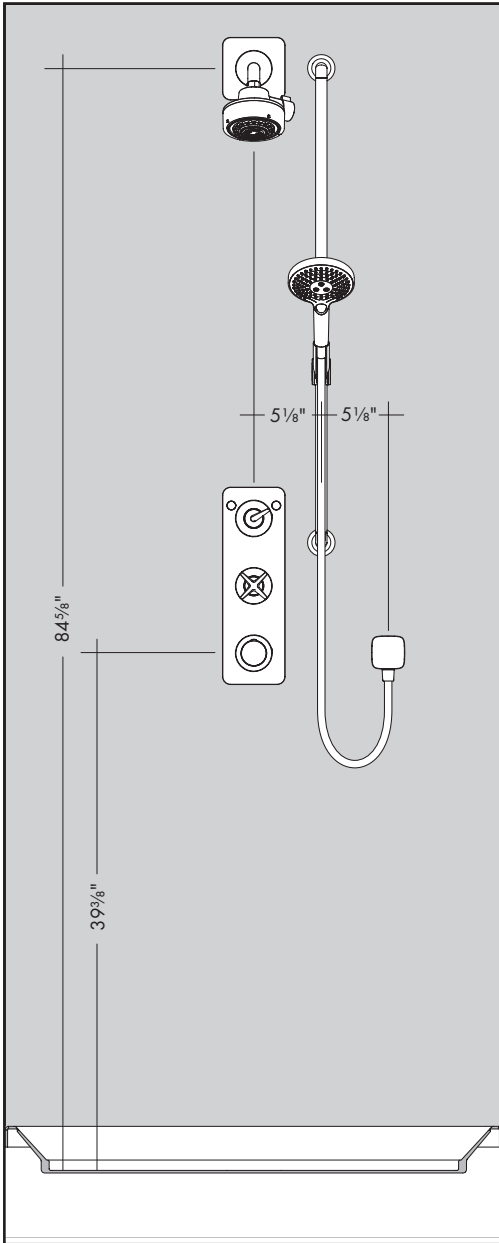
Ne mettez de bouchon sur aucun des orifices de sortie du dérivateur!

No tape ninguno de los orificios de salida del distribuidor.

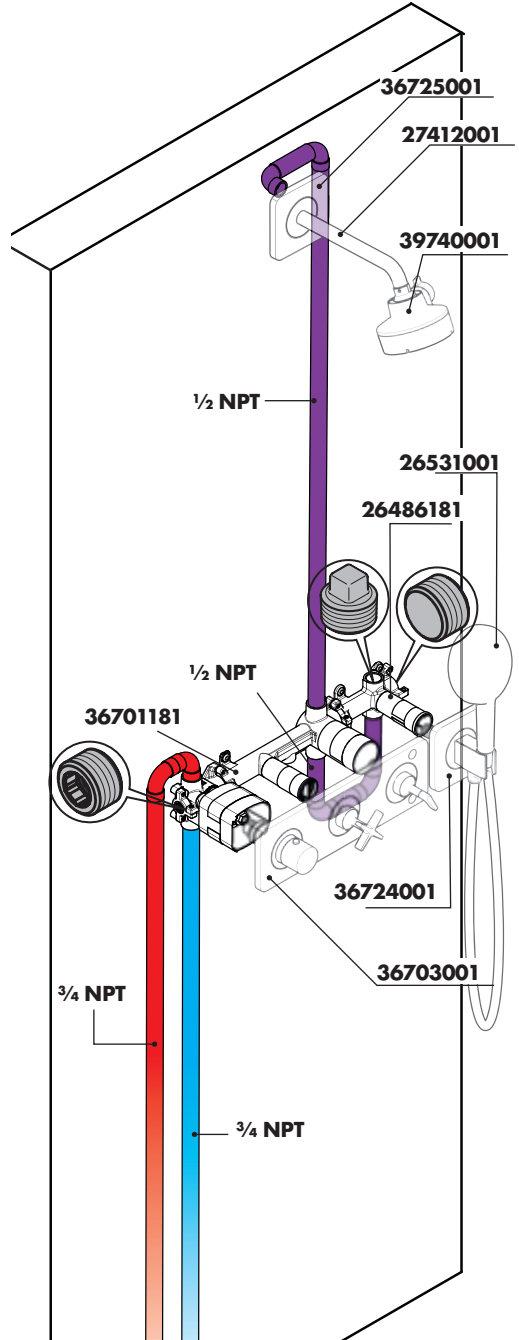
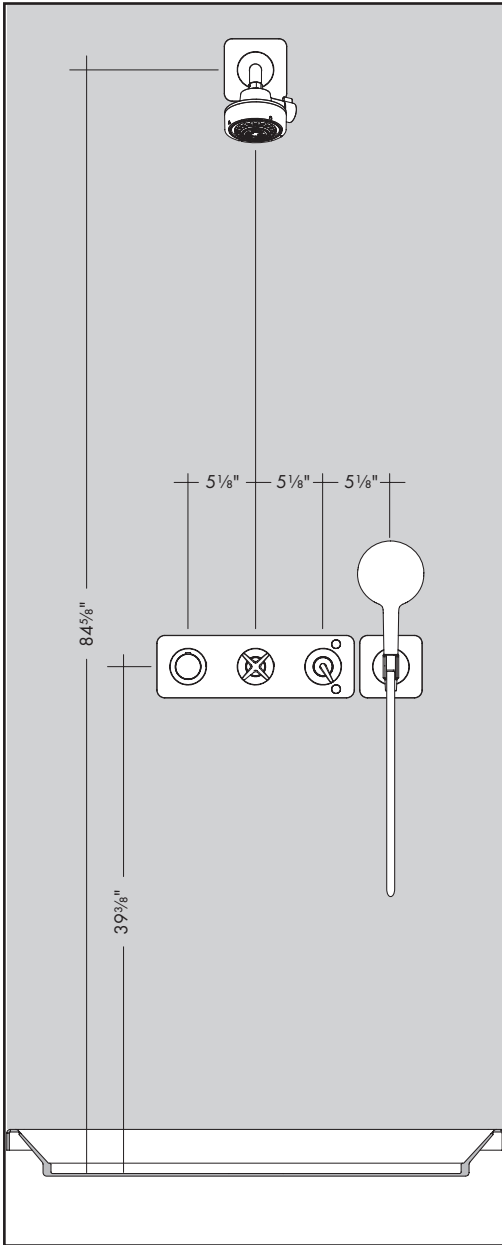


Installation Suggestions / Suggestions d'installation / Sugerecias para la instalaci3n

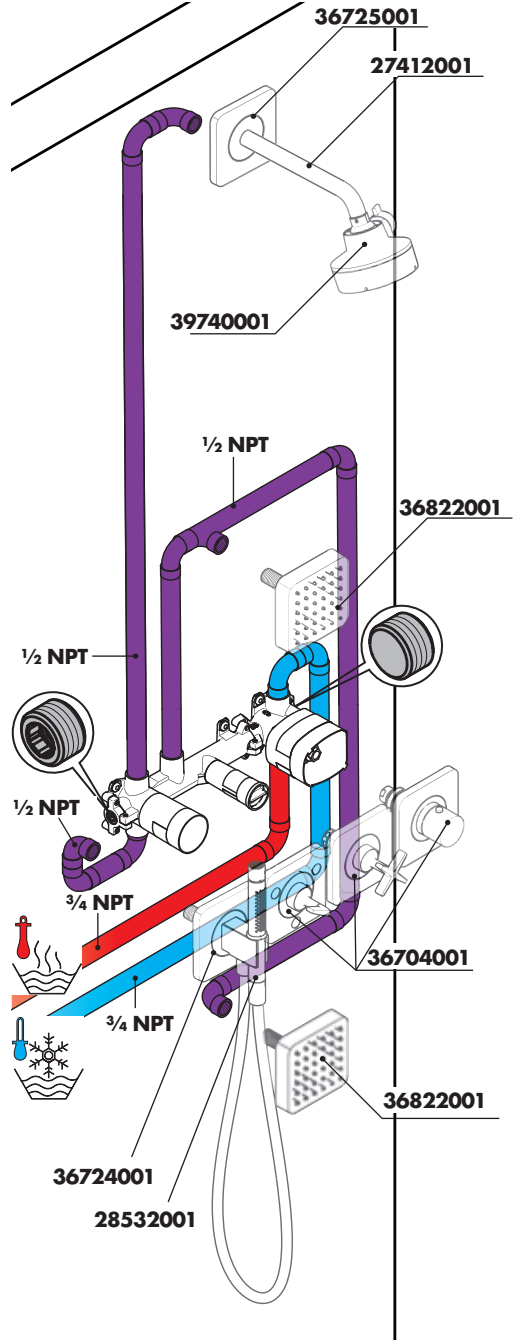
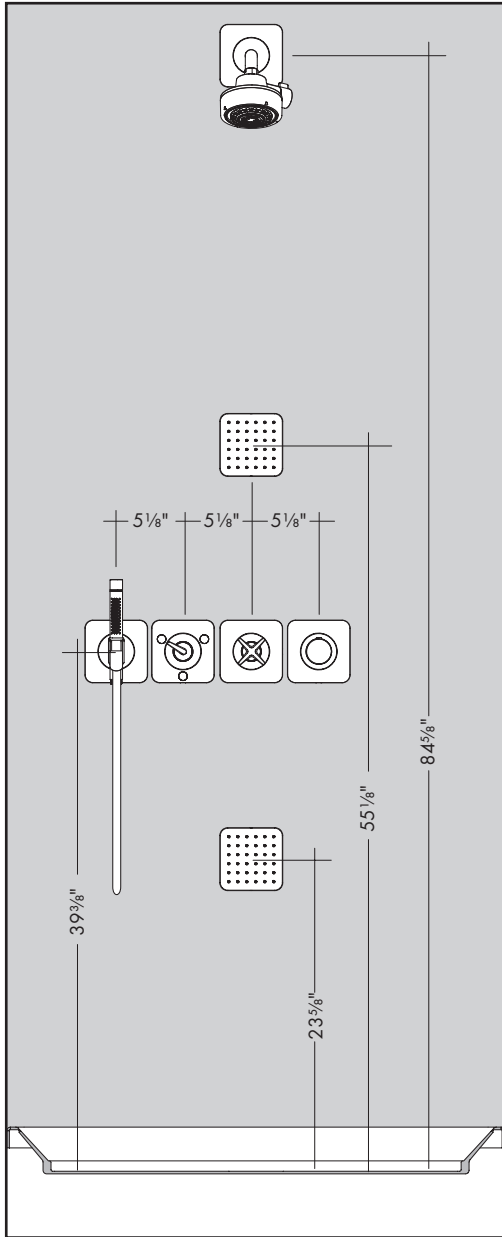
Citterio E
36701181



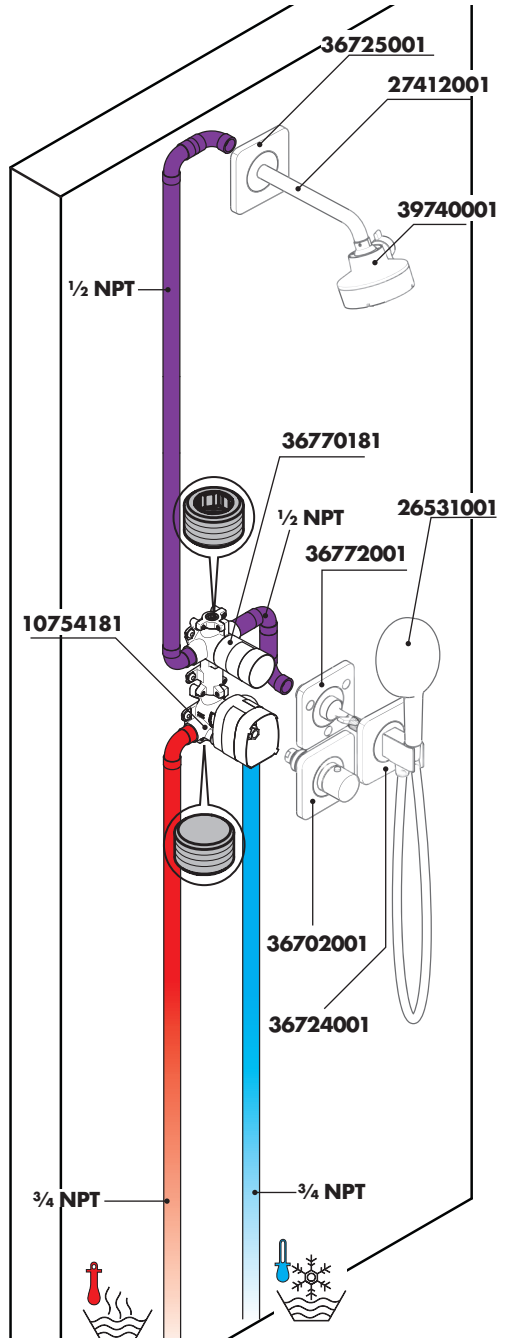
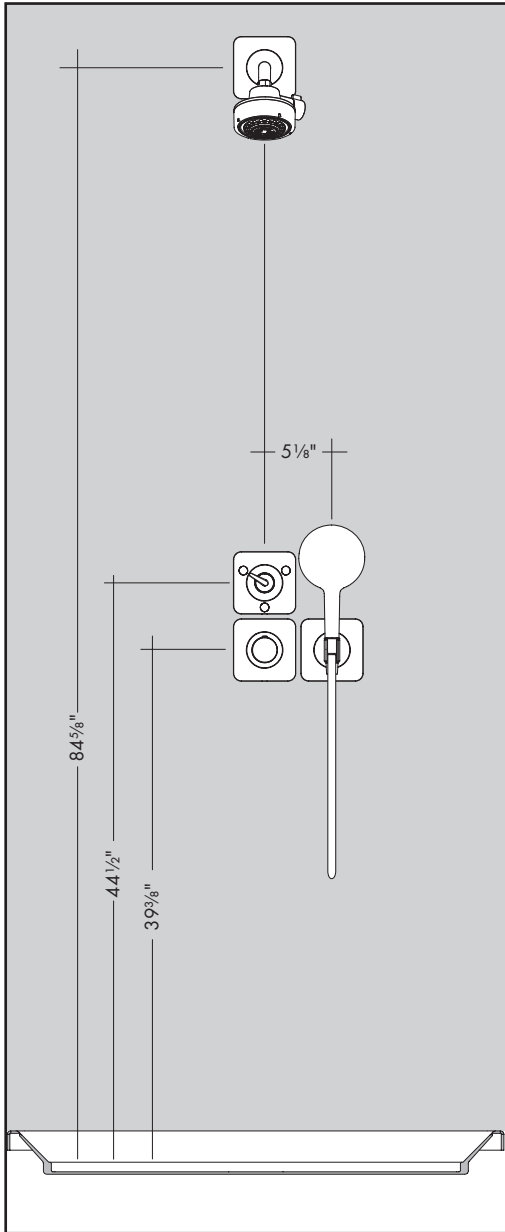
Citterio E
36701181

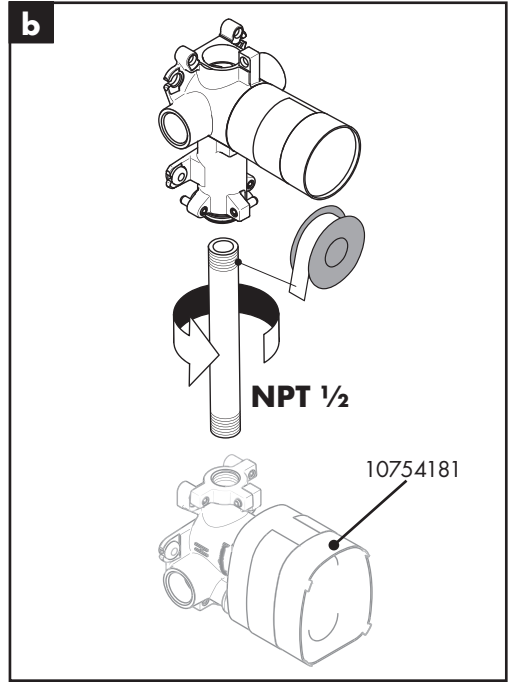
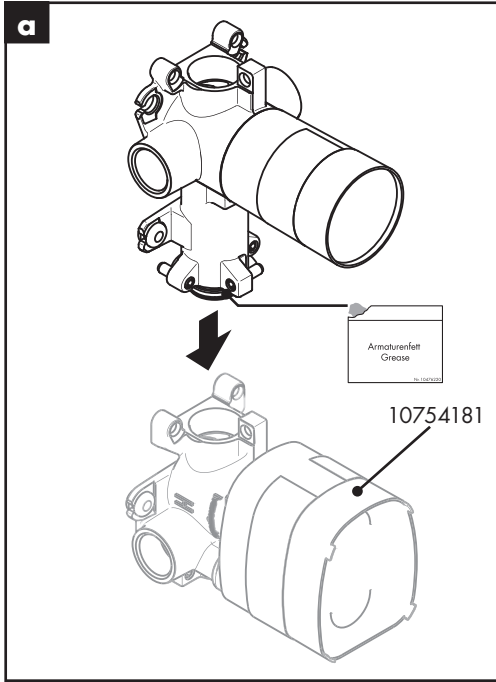


Citterio E
36708181



Citterio E
36770181





English

Diverter/shutoff valve #36770181 must be connected to a mixing valve, such as #10754181.

It can be connected directly to the mixing valve.

It can also be connected to the mixing valve using NPT 1/2 pipe.

Français

Le dérivateur/robinet d'arrêt no 36770181 doit être relié au mélangeur, comme le no 10754181.

Il peut être directement relié au mélangeur.

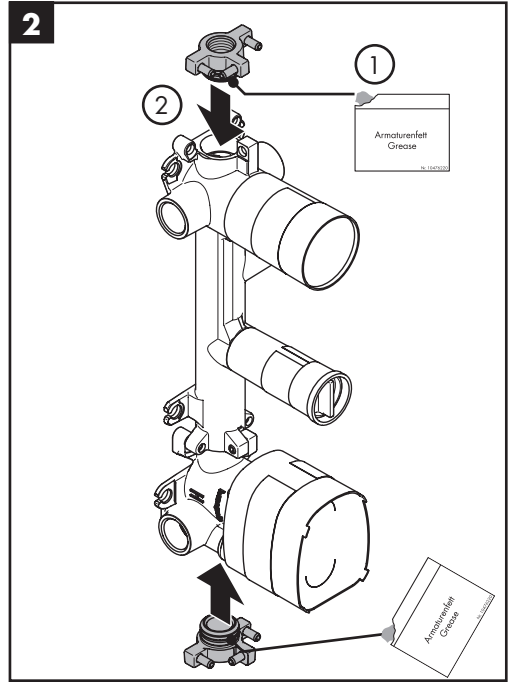
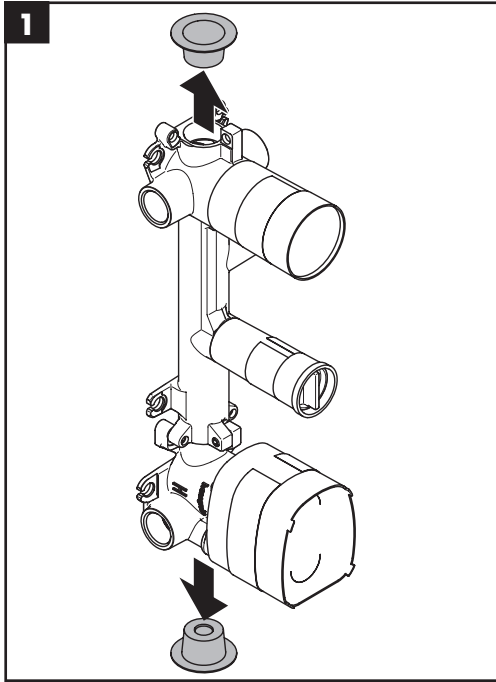
Il peut être également relié au mélangeur à l'aide du tuyau NPT de 1/2 po.

Español

La válvula de cierre/desvío #36770181 debe estar conectada a una válvula mezcladora, como la #10754181.

Se puede conectar directamente a la válvula mezcladora.

También se puede conectar a la válvula mezcladora usando un tubo NPT 1/2.



English

All models:

Remove the dust caps.

Lightly lubricate the o-rings on the adapters.

Install the adapters.

Français

Tous les modèles :

Retirez les capuchons anti-poussière.

Lubrifiez légèrement les joints toriques situés sur les adaptateurs.

Installez les adaptateurs.

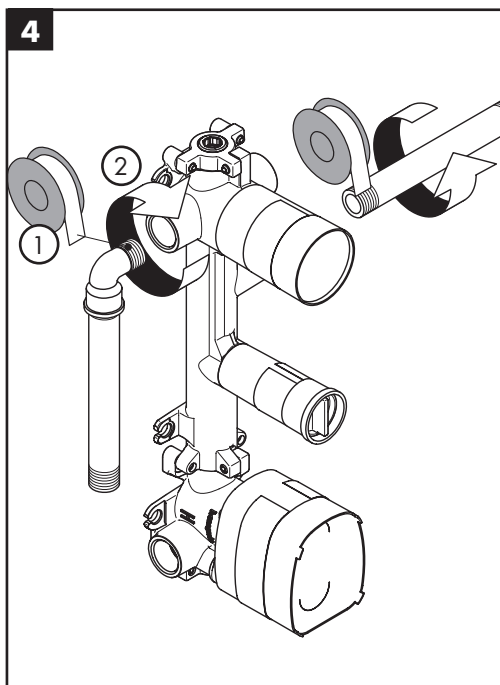
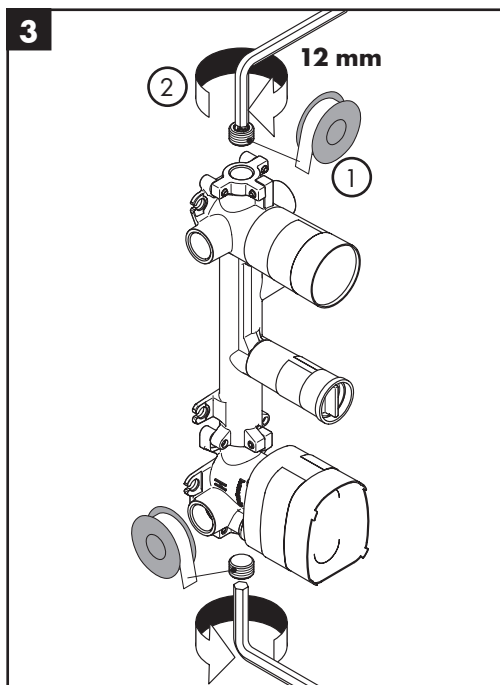
Español

Todos los modelos:

Retire las tapas antipolvo.

Lubrique ligeramente los retenes anulares en los adaptadores.

Instale los adaptadores.



English

Wrap the threads on the plugs using plumber's tape.

Install the plugs.

Install the hot and cold supply lines and the outlet lines.



Do not plug any of the diverter outlet ports.

Français

Enroulez les filets sur les bouchons à l'aide de ruban de plomberie.

Installez les bouchons.

Raccordez les conduites d'alimentation de l'eau chaude et de l'eau froide ainsi que les conduites de sortie.



Ne mettez de bouchon sur aucun des orifices de sortie du dérivateur.

Español

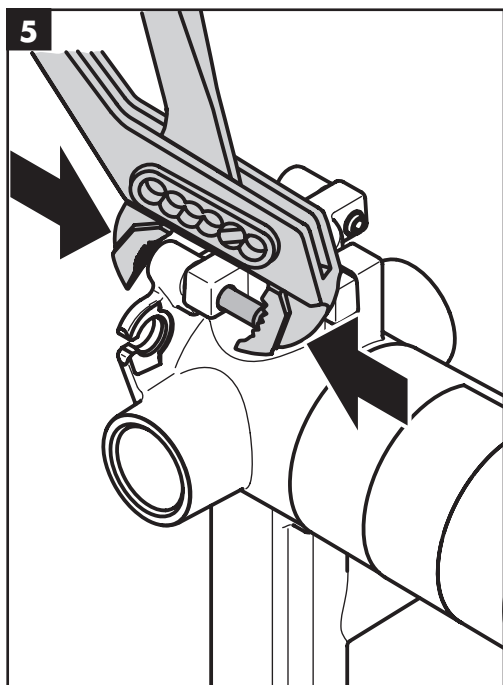
Envuelva las roscas en los tapones con cinta de plomero.

Instale los tapones.

Instale las tuberías de suministro de agua caliente y las líneas de salida.



No tape ninguno de los orificios de salida del distribuidor.



English

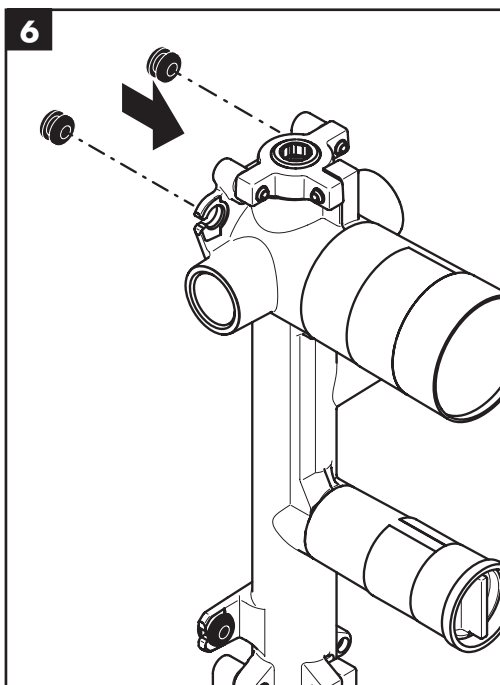
Install the dowel pins.

Install the noise reducers.

Français

Installez les goupilles.

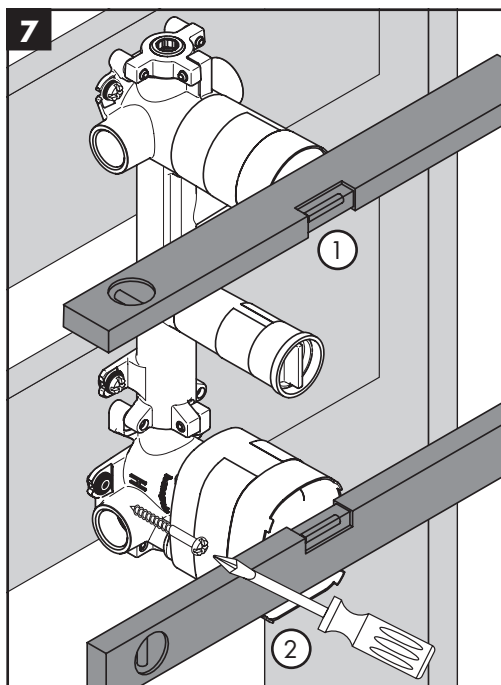
Installez les atténuateurs de bruit.



Español

Instale los pasadores del taco.

Instale los reductores de ruido.



English

Make sure that the valve is level.
Screw the valve assembly to the header board(s).



The outside surface of the finished wall must fall between the "min." and "max." markings on the plaster shields.

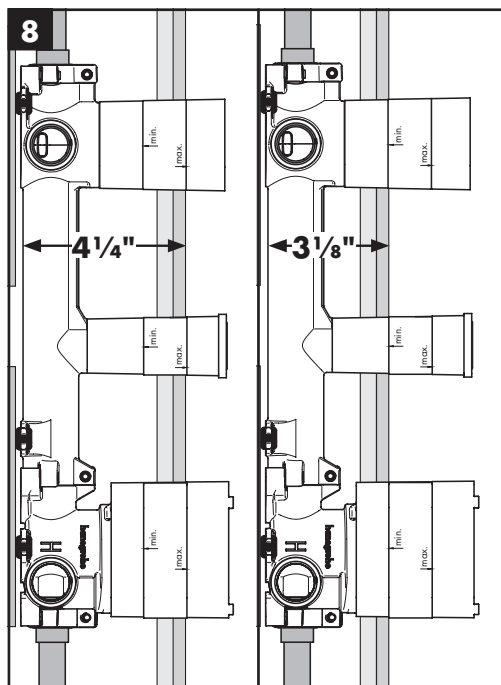
Français

Assurez-vous que le robinet est de niveau.

Vissez la structure du robinet sur le ou les panneaux.



La surface extérieure du mur fini doit se situer entre les marques « min » et « max » figurant sur les protecteurs de plâtre.



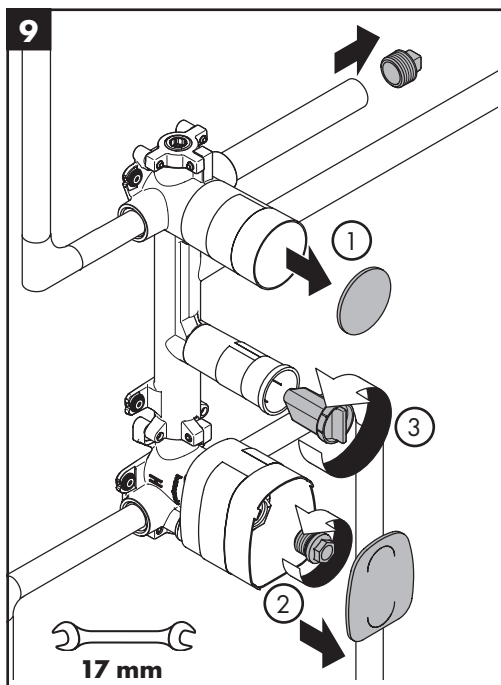
Español

Asegúrese de que la válvula quede nivelada.

Atornille la válvula al panel de cabezal.



La superficie externa de la pared terminada debe quedar entre las marcas de máximo y mínimo del escudo de yeso.



English

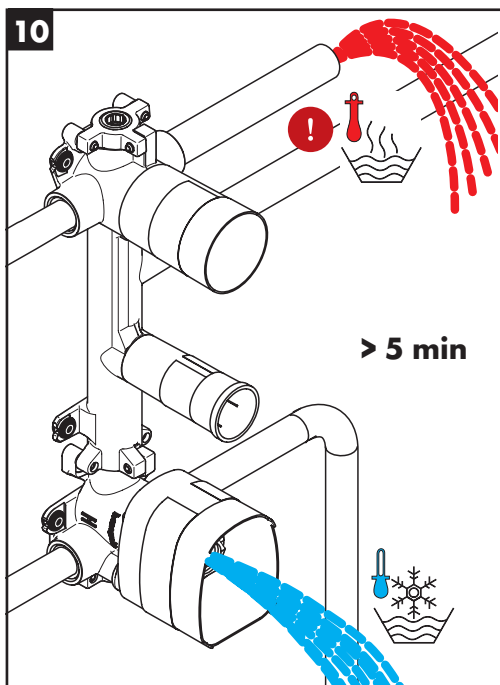
Flush the hot and cold supply lines thoroughly.

Damage to the thermostatic mixing cartridge caused by debris is not covered by the Hansgrohe warranty.

Français

Rincez bien les conduites d'alimentation de l'eau chaude et de l'eau froide.

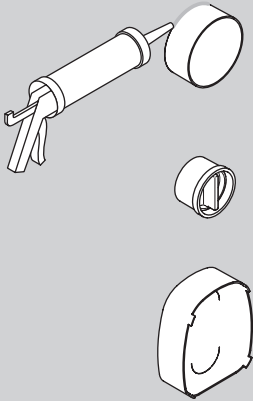
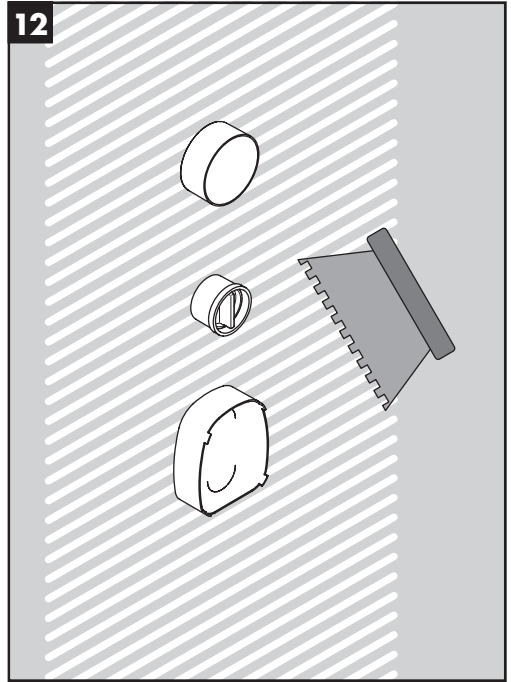
La garantie Hansgrohe ne couvre pas les dommages causés aux cartouches de mélangeur thermostatique par les dépôts ou impuretés.



Español

Lave las tuberías de suministro de agua fría y caliente a fondo.

Los daños al cartucho mezclador termostático causados por los desechos no están cubiertos por la garantía de Hansgrohe.

11**12****English**

Install sheet rock or backer board over the valves.

Seal the wall around the plaster shields using waterproof sealant.

Brush adhesive (not included) over the backer board.



Do not use hot glue.

Français

Installez le Gyproc ou la planche d'appui sur les robinets.

Scellez le mur autour des protecteurs à l'aide d'un agent d'étanchéité.

Appliquez la colle (non comprise) sur la planche d'appui.



N'utilisez pas de colle chaude.

Español

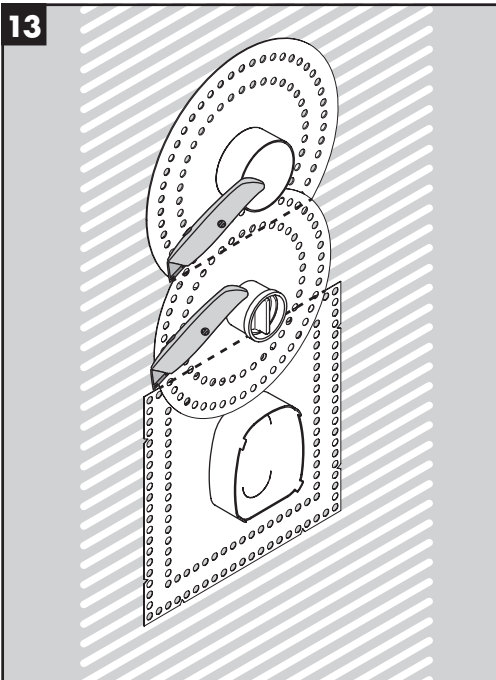
Instale una placa de yeso o tabla de soporte sobre las válvulas.

Selle la pared alrededor del protector de yeso con un sellador impermeable.

Cepille el adhesivo (no incluido) de la tabla de soporte.



No use cola caliente.



English

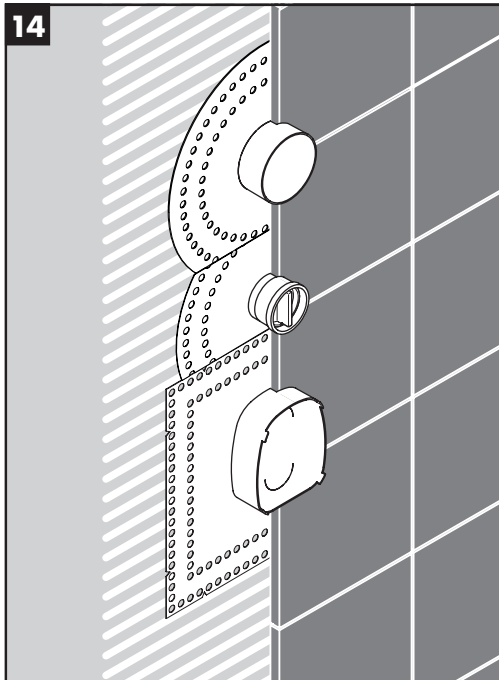
Install the sealing gasket(s).

Cut the gaskets to size.



Do not allow the gaskets to overlap.

Install the tile or other finished wall material over the gaskets.



Français

Installez le ou les joints d'étanchéité.

Coupez les joints à la bonne taille.



Assurez-vous que les joints ne se chevauchent pas.

Installez le carreau ou autre revêtement de mur fini sur les joints.

Español

Instale las juntas selladoras.

Corte las juntas según el tamaño correspondiente.

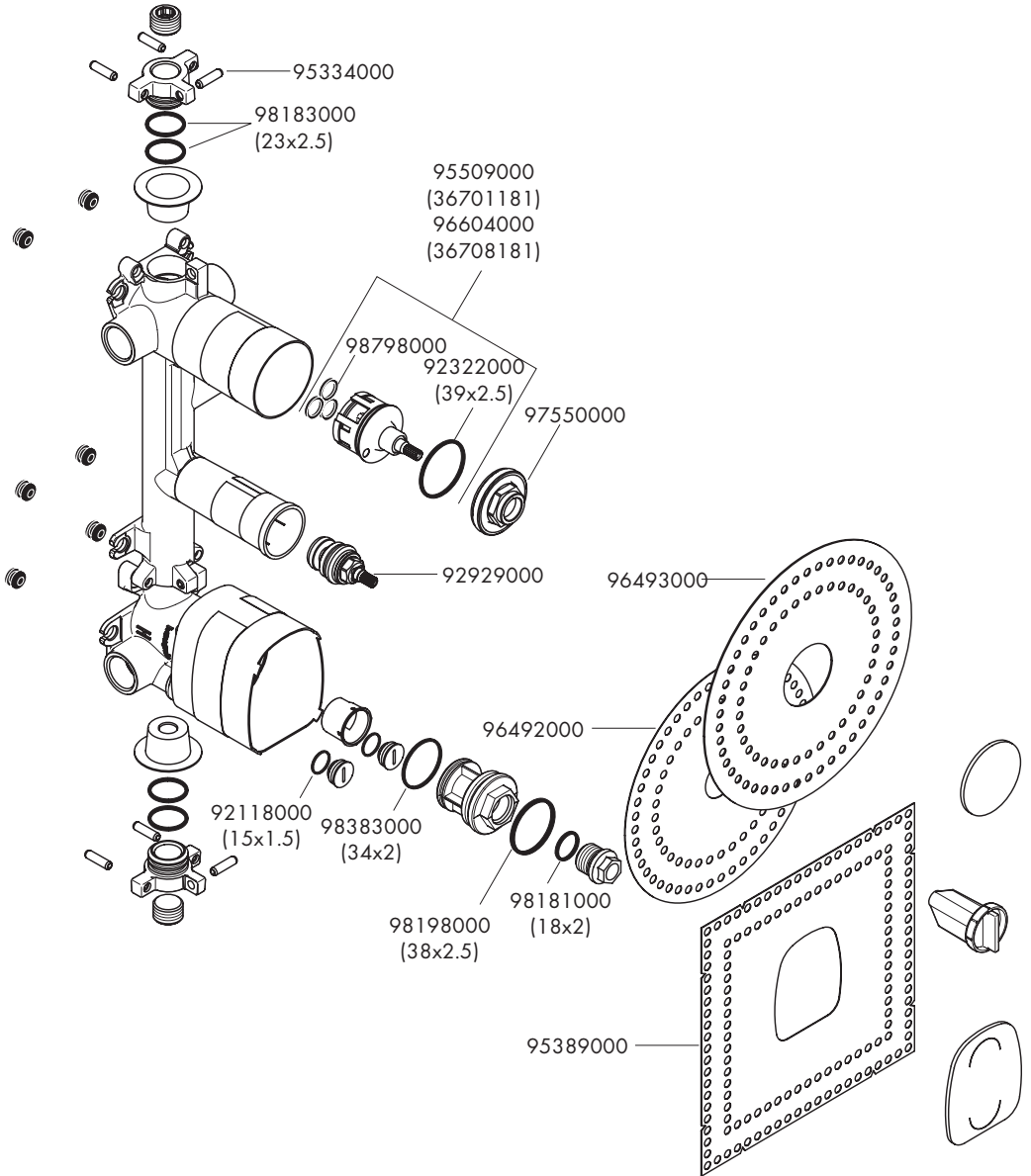


No permita que las juntas se superpongan.

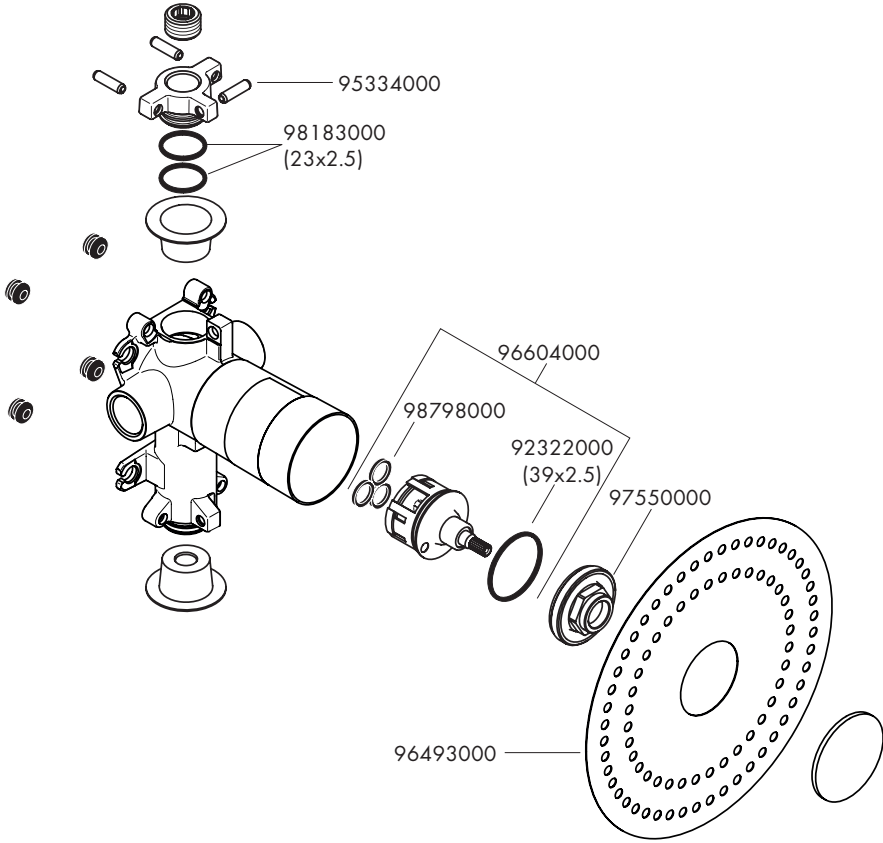
Instale los azulejos u otro material de acabado de la pared sobre las juntas.

Citterio E

36701181 / 36708181



Citterio E
36770181



Limited Consumer Warranty

This product has been manufactured and tested to the highest quality standards by Hansgrohe, Inc. ("Hansgrohe"). This warranty is limited to Hansgrohe products that are purchased by a consumer in the United States or Canada after March 1, 1996, and installed in either the United States or in Canada.

WHO IS COVERED BY THE WARRANTY

This warranty extends to the original purchaser only. This warranty is non-transferable.

WHAT IS COVERED BY THE WARRANTY

The warranty covers only your Hansgrohe manufactured product. Hansgrohe warrants this product against defects in material or workmanship as follows:

Hansgrohe will replace at no charge for parts only or, at its option, replace any product or part of the product that proves defective because of improper workmanship and/or material, under normal installation, use, service and maintenance. If Hansgrohe is unable to provide a replacement and repair is not practical or cannot be made in timely fashion, Hansgrohe may elect to refund the purchase price in exchange for the return of the product.

LENGTH OF WARRANTY

Replacement or repaired parts of products will be covered for the term of this warranty, as stated in the following two sentences. If you are a consumer who purchased the product for use primarily for personal, family or household purposes, this warranty extends for as long as you own the product and the home in which the product is originally installed. If you purchased the product for use primarily for any other purpose, including, without limitation, a commercial purpose, this warranty extends only (i) for 1 year, with respect to Hansgrohe & Commercial products, and (ii) for 5 years, with respect to Axor products.

THIS WARRANTY DOES NOT COVER, AND HANSGROHE WILL NOT PAY FOR:

- A. Conditions, malfunctions or damage not resulting from defects in material or workmanship.
- B. Conditions, malfunctions or damage resulting from
 - (1) normal wear and tear, improper installation, improper maintenance, misuse, abuse, negligence, accident or alteration;
 - (2) the use of abrasive or caustic cleaning agents or "no-rinse" cleaning products, or the use of the product in any manner contrary to the product instructions; or
 - (3) conditions in the home such as excessive water pressure or corrosion.
- C. Labor and other expenses for disconnection, deinstallation, or return of the product for warranty service (including but not limited to proper packaging and shipping costs), or for installation or reinstallation of the product.
- D. Accessories, connected materials and products, or related products not manufactured by Hansgrohe.
- E. Any Hansgrohe or Axor product sold for display purposes.
- F. Hansgrohe Water Filtration System is subject to a 1-year limited warranty. Warranty does not include replacement filters.

TO OBTAIN WARRANTY PARTS OR INFORMATION

Contact your Hansgrohe retailer, or contact Technical Service at:

Hansgrohe, Inc.
1492 Bluegrass Lakes Parkway
Alpharetta, GA 30004
Toll-free 800-334-0455

In requesting warranty service, you will need to provide:

- 1. The sales receipt or other evidence of the date and place of purchase.
- 2. A description of the problem.
- 3. Delivery of the product or the defective part, postage prepaid and carefully packed and insured, to:

Hansgrohe, Inc.
1492 Bluegrass Lakes Parkway
Alpharetta, GA 30004
Toll-free 800-334-0455

When warranty service is completed, any repaired or replacement product or part will be returned to you postage prepaid.

Exclusions and Limitations

REPAIR OR REPLACEMENT (OR, IN LIMITED CIRCUMSTANCES, REFUND OF THE PURCHASE PRICE) AS PROVIDED UNDER THIS WARRANTY IS THE EXCLUSIVE REMEDY OF THE PURCHASER. HANSGROHE NEITHER ASSUMES NOR AUTHORIZES ANY PERSON TO CREATE FOR IT ANY OTHER OBLIGATION OR LIABILITY IN CONNECTION WITH THIS PRODUCT.

HANSGROHE SHALL NOT BE LIABLE TO PURCHASER OR ANY OTHER PERSON FOR ANY INCIDENTAL, SPECIAL OR CONSEQUENTIAL DAMAGES, ARISING OUT OF BREACH OF THIS WARRANTY OR ANY IMPLIED WARRANTY (INCLUDING BUT NOT LIMITED TO ANY IMPLIED WARRANTY OF MERCHANTABILITY).

Some States do not allow the exclusion or limitation of incidental or consequential damages, so the above limitation or exclusion may not apply to you. This warranty gives you specific legal rights, and you may also have other rights that vary from state to state.

TO THE EXTENT PERMITTED BY LAW, ANY IMPLIED WARRANTIES OF MERCHANTABILITY AND FITNESS FOR A PARTICULAR PURPOSE, ARE LIMITED TO THE DURATION OF THE EXPRESS WARRANTY.

Some states do not allow limitations on how long an implied warranty may last, so the above limitations may not apply to you.

You may be required by law to give us a reasonable opportunity to correct or cure any failure to comply before you can bring any action in court against us under the Magnuson-Moss Warranty Act.

PRODUCT INSTRUCTIONS AND QUESTIONS

Upon purchase or prior to installation, please carefully inspect your Hansgrohe product for any damage or visible defect. Prior to installing, always carefully study the enclosed instructions on the proper installation and the care and maintenance of this product. If you have questions at any time about the use, installation or performance of your Hansgrohe product, or this warranty, please write us or call us toll-free at 800-334-0455.





hansgrohe

Hansgrohe, Inc. • 1490 Bluegrass Lakes Parkway • Alpharetta, GA 30004
Tel. 800-334-0455 • Fax 770-889-1783

www.hansgrohe-usa.com