

# NOKORI OVAL 6737

67" x 37" x 24" (FREESTANDING)

Nokori's sleek and delicate lines inspire peace and calm-offering an authentic invitation to unwind.



## PRODUCT NO.

MODEL	TMU	TUB
Freestanding	BNOPOF00T-XX	BNOPOF00N-XX

THERMOMASSEUR (TMU) Hydro-thermo massage • Air jet system	\$10,380
Jets	40
1 heated backrest	Included
MiaPlus® Control* (not installed)	Included
BU-Touch Control Application <a href="#">BUTOUCH</a>	\$430
Geysair®	Included
AromaCloud®	N/A
AromaFlow*** <a href="#">BAROMAF</a> <b>NEW</b>	\$950
Illuzio Chromatherapy <a href="#">BCHRO6</a>	\$925
2 <sup>nd</sup> heated backrest (WTS-1 zone) <a href="#">BSHB</a>	\$1,125

TUB Soaker	\$7,445
AromaCloud®	N/A
AromaFlow*** <a href="#">BAROMAF</a> <b>NEW</b>	\$950
Illuzio Chromatherapy <a href="#">BCHRO6</a>	\$925
WarmTouchShell® <a href="#">BWTS</a>	\$1,125
DOT control (not installed)	Included with therapy
2 <sup>nd</sup> WarmTouchShell® <a href="#">BWTS2</a>	\$370

## FEATURES

Installation type	Freestanding		
No. of bathers		Imp. gallons	55
US gallons	66	Brass waste kit	Included

## INTEGRATED WASTE & OVERFLOW [BOVERINI-XX](#)

White <a href="#">01</a> , Chrome <a href="#">07</a> , Brushed Nickel <a href="#">09</a> , Polished Nickel <a href="#">10</a> , Matte White with UltraVelour finish <a href="#">32</a>	Included & Included
--	---------------------

## STANDARD COLOR

	Included
White <a href="#">01</a>	

## OPTIONS (UPCHARGE APPLICABLE)

### COLOR

	Black / White <a href="#">66</a>	\$475
--	----------------------------------	-------

### FINISH

UltraVelour Matte Finish (white only) <a href="#">BVEL2</a>	\$850
---	-------

### UNIVERSAL ARMRESTS [BGBGU-XX](#)

White <a href="#">01</a>	\$750
--------------------------	-------

### INTEGRATED WASTE & OVERFLOW [BOVERINI-XX](#)

Matte Black <a href="#">19</a> , Satin Brass <a href="#">18</a>	\$120
---	-------

### ISLAND TUB DRAIN™\*\*

Island Tub Drain™ <a href="#">BISLDD</a>	\$260
Cast Iron Island Tub Drain™ <a href="#">BISLDDCI</a>	\$310

### IF REQUIRED BY CONSTRUCTION CODE

Brass waste & overflow kit <a href="#">BDRCOB</a>	\$240
---	-------



\* Control must be wall-mounted. Faucets must be freestanding or wall-mounted.

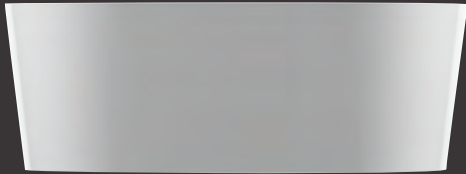
\*\* An Island Tub Drain™ is required when there is no access under the bath.

\*\*\* When ordering an AromaFlow, an Integrated waste & overflow is mandatory (Included). Specify the finish of the waste.

## FOR THE INSTALLER

SCAN TO VIEW INSTALLATION VIDEO (3:20 MIN)



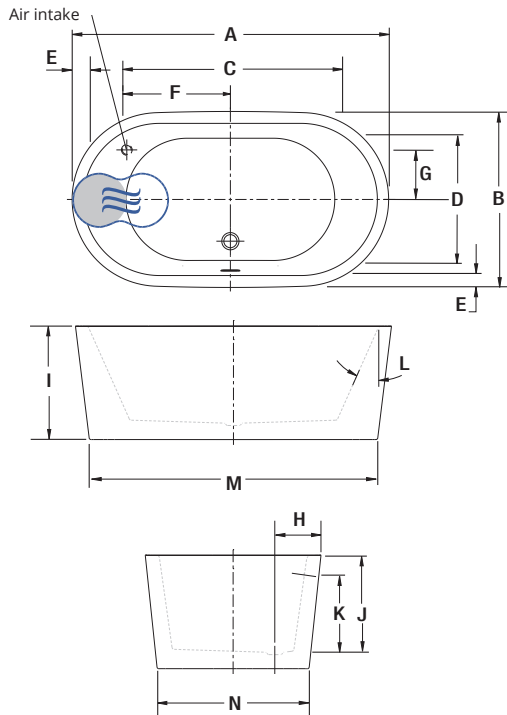


**NOKORI OVAL 6737 (FREESTANDING)**



Black / White color (optional)

### INSTALLATION



LETTER	DESCRIPTION	MEASURE
A	Total length	66 1/2"
B	Total width	37"
C	Bathing well length	45 3/4"
D	Bathing well width	26 1/4"
E	Deck width	2 7/8"
F	Air intake to center of drain (long axis)	21 3/4"
G	Air intake to center of drain (trans axis)	10 3/8"
H	Center of drain to deck side	9 3/4"
I	Total height	24"
J	Height from bottom of drain to top of deck	20 1/2"
K	Maximum water level Maximum water level with AromaFlow	16 1/8" 15 5/8"
L	Slope of backrests	24°
M	Base length	60 3/4"
N	Base width	32"

- Indicates heated backrest (TMU)
- ☞ Indicates WarmTouchShell® position (TUB)

### TECHNICAL SPECIFICATIONS

<b>Hot water supply required</b>	The hot water supply should be 70% or more of the bath's total water capacity.
<b>Turbine</b>	Access to the pump must be at least 18" x 22". <b>Standard connection is 20 A, 120 V, 60 Hz, dedicated line with a Ground-Fault Circuit Interrupter (GFCI). For any additional option, a second line is needed 15 A, 120 V, 60 Hz, dedicated line with a GFCI.</b> Air vent necessary: 8 sq. in. minimum.
<b>Others</b>	<ul style="list-style-type: none"> <li>- The Geysair® is located on the same side as the heated backrest. It must <b>NOT be relocated</b>. It must be <b>connected to the hot water supply</b> and be accessible (provide access).</li> <li>- Faucet must be freestanding or wall-mounted.</li> <li>- Controls cannot be installed on the bath.</li> <li>- The turbine should be <b>remotely installed</b>. - Detailed plan available on bainultra.com.</li> <li>- The water level will be lower when an AromaFlow is installed.</li> </ul>

Our products must be installed by certified professionals only and according to our Owner's Manual as well as federal, provincial/state and local building codes and regulations ([www.bainultra.com/dealers/dealer-documentation-and-catalog](http://www.bainultra.com/dealers/dealer-documentation-and-catalog)).

The specifications shown indicate the outer edge dimension and the inside bathing capacity dimension measured at air jets' height. The manufacturer accepts a 1/4" [0.64 cm] variance. There are variations on each product and specifications are subject to change as we improve upon our product as required. The dimensions needed for site preparation and structure building will differ. BainUltra® assumes no responsibility for preparatory work done prior to the product being on site.

<b>Cutting template</b>	# 90000072
<b>Approx. shipping weight</b>	270 lb
<b>Turbine power</b>	550 W
<b>Air heater</b>	600 W
<b>WARRANTY</b>	
Controls-LED-Geysair*	5 years
Bath & turbine*	20 years

\* Some restrictions apply | [www.bainultra.com/warranty](http://www.bainultra.com/warranty)