



California Faucets®

Descanso®

Industrial Deck Mount Tub Filler With Handshower

Features

- Over 28 finishes including 13 PVD finishes
- All brass construction
- Tub filler: Maximum flow rate: 15 gpm (56.8 L/min) at 60 psi
- Handshower: Flow rate: 2.0 gpm (7.6 L/min) or 1.8 gpm (6.8 L/min)
- Handshower bracket may be placed on COLD or HOT side of body
- 1/4 turn ceramic disc cartridges

Codes/Standards Applicable

Product meets or exceeds the following:

- ASME A112.18.1/CSA B125.1
- CEC (1.8 gpm) / DOE (2.0 & 1.8 gpm)
- Commonwealth of MA
- EPA WaterSense handshower (2.0 gpm)
- ADA compliant (with lever handles)
- Local codes may require installation of an upstream tempering valve

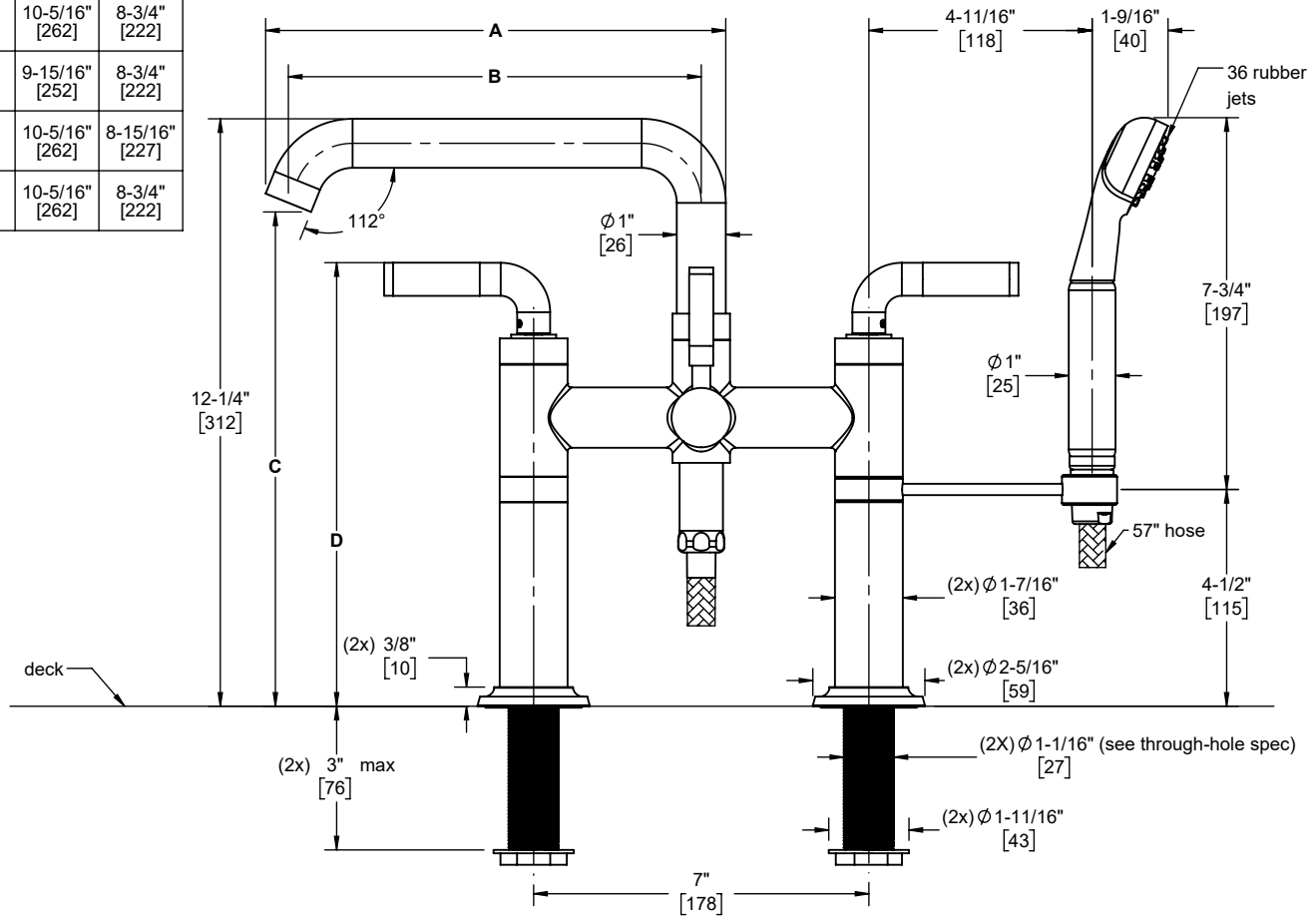
0908-XX.20
0908-XX.18



XX = DENOTES HANDLE SERIES

0908-30F.FR SHOWN

HANDLE	A	B	C	D
30 30F	9-5/8" [244]	8-5/8" [219]	10-5/16" [262]	9-1/4" [235]
30K	9-3/4" [248]	8-3/4" [222]	9-15/16" [252]	9-1/4" [235]
30X 30XF	9-5/8" [244]	8-5/8" [219]	10-5/16" [262]	8-3/4" [222]
30XK	9-3/4" [248]	8-3/4" [222]	9-15/16" [252]	8-3/4" [222]
80	9-5/8" [244]	8-5/8" [219]	10-5/16" [262]	8-15/16" [227]
80W 80WB 80WR	9-5/8" [244]	8-5/8" [219]	10-5/16" [262]	8-3/4" [222]



Through-Hole Specifications		
Min	Recommended	Max
Ø 1-1/16" [27]	Ø 1-5/16" [33]	Ø 1-3/8" [35]

Dimensions are inches, rounded to 1/16"
[Dimensions in brackets are mm, rounded to 1mm]

Specifications subject to change without notice