



California Faucets®

Palomar®

TRADITIONAL WALL MOUNT TUB FILLER WITH HANDSHOWER

Features

- Available in 28 finishes including 13 PVD finishes
- All brass construction
- Tub filler maximum flow rate: 15 gpm (58.6 L/min) at 60 psi
- Handshower flow rate: 2.0 gpm (7.6 L/min) or 1.8 gpm (6.8 L/min)
- 1/4 turn ceramic disc cartridges

Codes/Standards

Product meets or exceeds the following:

- ASME A112.18.1/CSA B125.1
- CEC (1.8 gpm) / DOE (2.0 & 1.8 gpm)
- Commonwealth of MA
- EPA WaterSense handshower (2.0 gpm)
- ADA compliant (with lever handles)
- Local codes may require installation of an upstream tempering valve

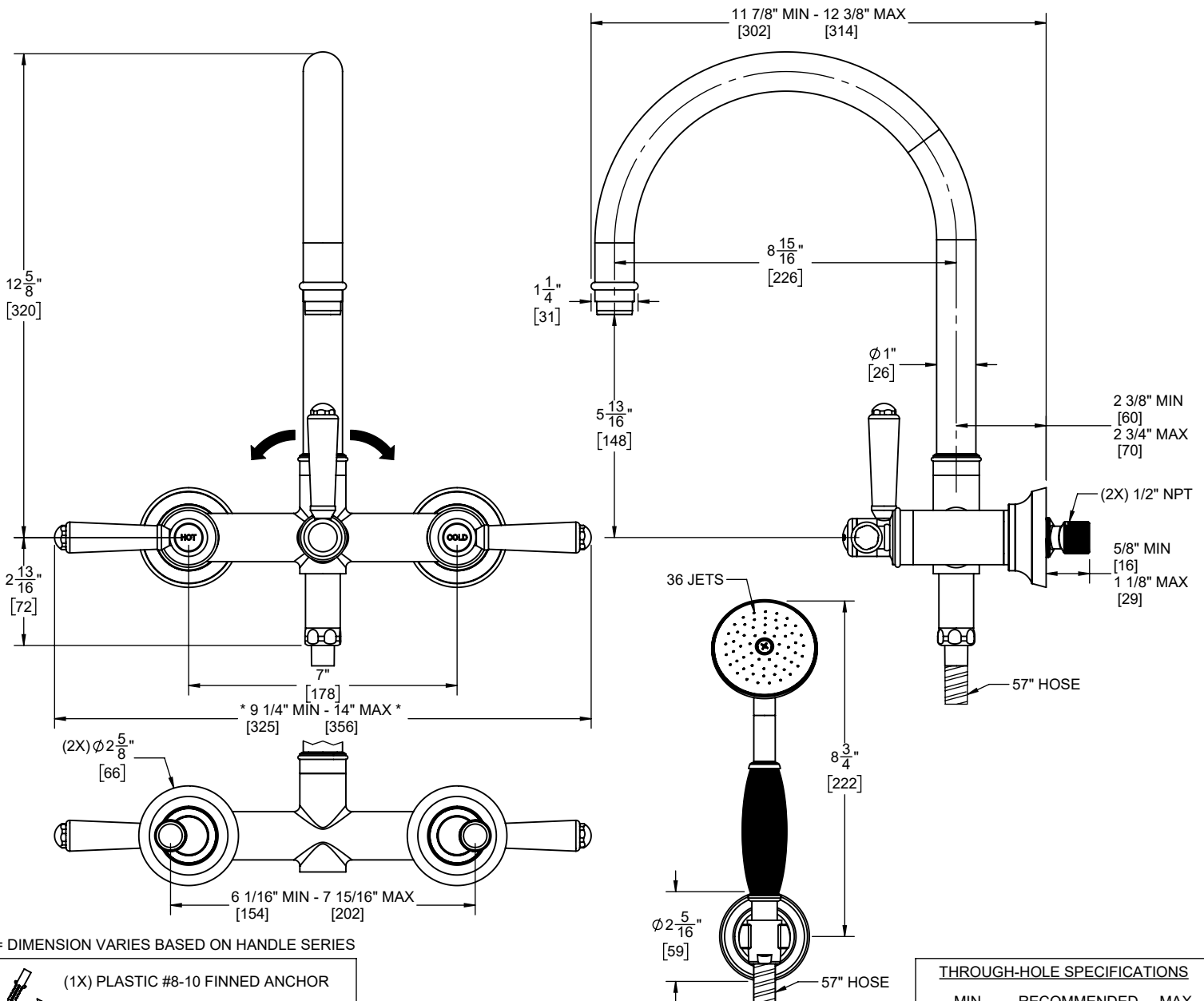


1306-33.FR SHOWN

1306-XX.13M.20
 1306-XX.13M.18
 1306-XX.20
 1306-XX.18



XX = DENOTES HANDLE SERIES



* = DIMENSION VARIES BASED ON HANDLE SERIES

- (1X) PLASTIC #8-10 FINNED ANCHOR
- (1X) #10 X 2 STAINLESS STEEL SCREW

THROUGH-HOLE SPECIFICATIONS		
MIN	RECOMMENDED	MAX
Ø 1-13/16" [46]	Ø 1-7/8" [48]	Ø 2" [51]

SPECIFICATIONS SUBJECT TO CHANGE WITHOUT NOTICE

DIMENSIONS SHOWN TO NEAREST 1/16" [DIMENSIONS SHOWN TO NEAREST 1MM]