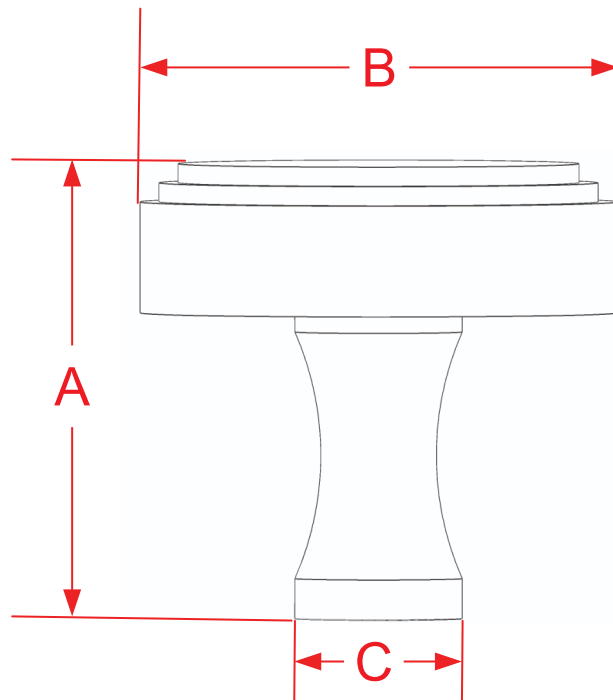


620, 621 & 622 Cabinet Knobs

Finishes for Life
TARNISH-FREE GUARANTEE



	A	B	C
Part #	Projection	Diameter	Base Diameter
620	1.1875"	1.0000"	0.4375"
621	1.1875"	1.2500"	0.4375"
622	1.1875"	1.5000"	0.4375"
Custom Sizing Available			



Manufacturing Fine Architectural Hardware
in the USA Since 1927



Copyright 2015
Colonial Bronze Company
All rights reserved
www.colonialbronze.com -
860.489.9233