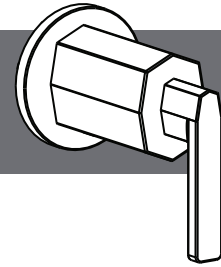


## Heir Valve Trims

18-16-T / 18-17-T

# Installation Instructions



## Introduction

This product has been fully inspected throughout the production process and only leaves our factory after a 15-step QC process. The installation must comply with all plumbing codes including local codes.

Note: Image shows single-outlet trim kit. Please follow the same steps for a multi-outlet valve.

Be sure to place in the correct orientation if there are etchings on the front of the plate.

Fitting isolating valves to the inlet feeds is recommended for ease of maintenance.

**IMPORTANT: Please read these instructions carefully before beginning and retain for future reference.**

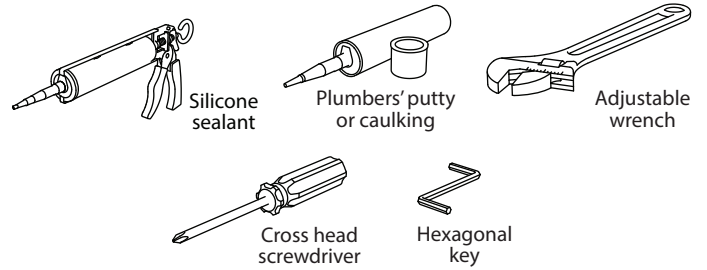
Before beginning installation, check for any damage that may have occurred during transport.

**Note: Damage claims cannot be made during or after installation.**

**Improper installation shall result in loss of warranty in case of damage caused by impacts or rubbing against rough surfaces.**

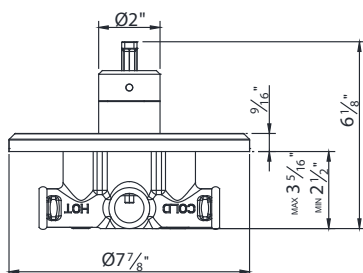
We do not accept responsibility for any problems that may occur through incorrect installation.

## Tools required

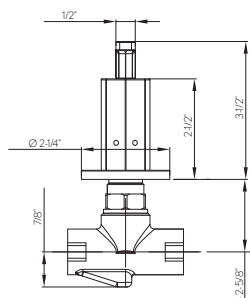


## Dimensions

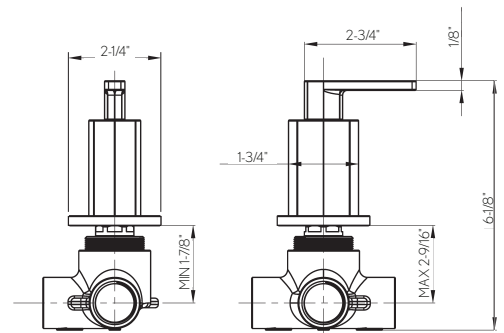
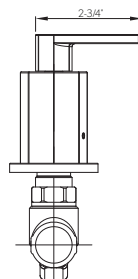
**Note:** Illustrations are not drawn to scale.



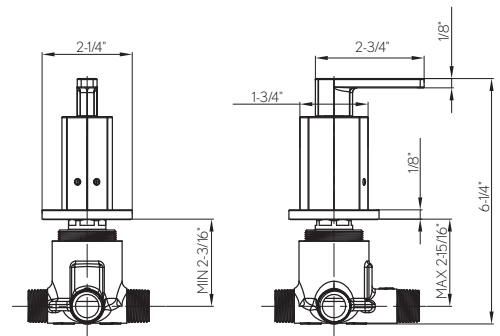
18-16-T  
TH-RGH



18-17-T  
VC-RGH



18-17-T  
DIV-RGH



18-17-T  
3DV-RGH

# 1 Installation

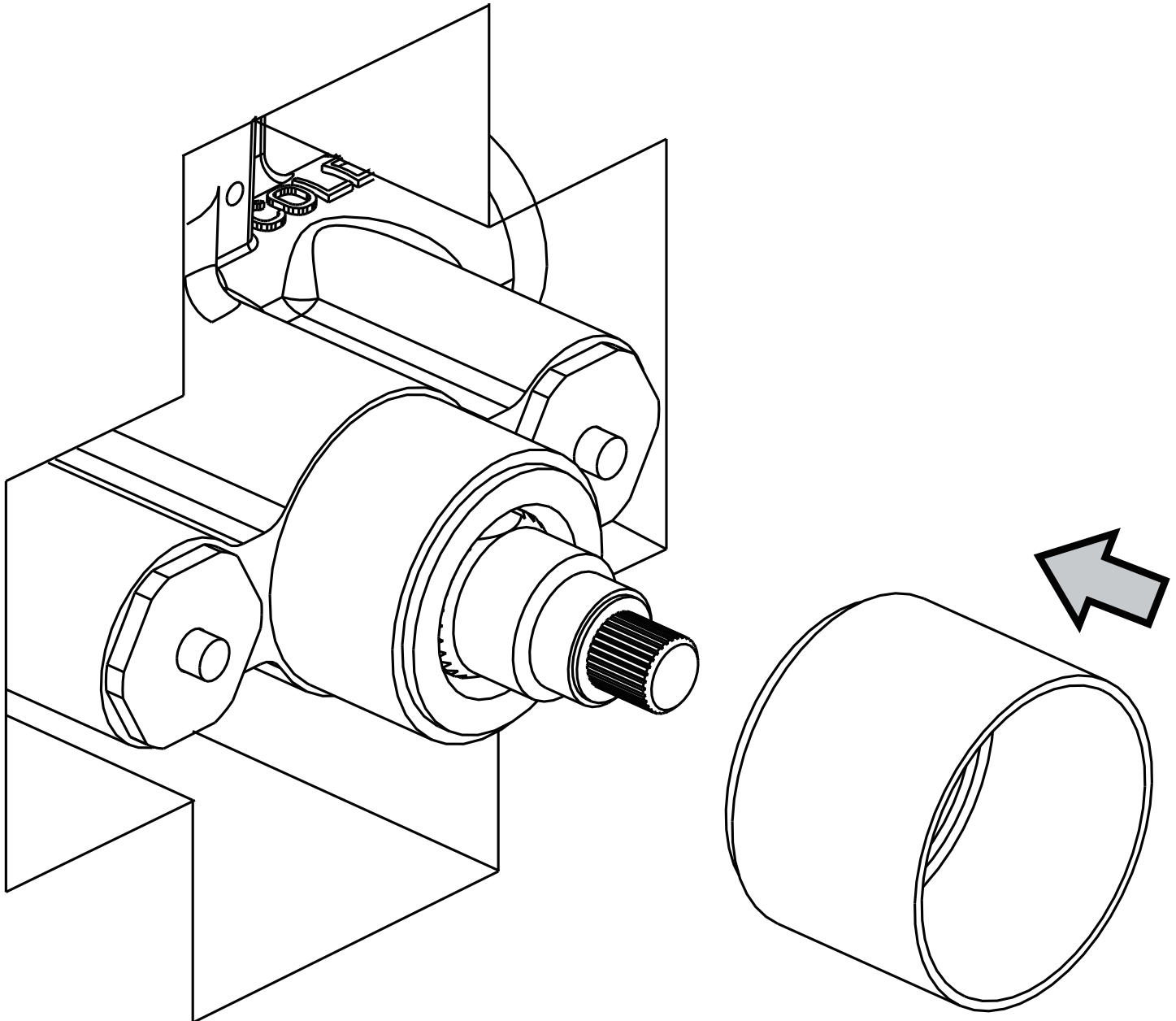
For valve body fitting, see installation instructions as listed below before the trim installation detailed.

**IMPORTANT:**

**Please note the installation depth of each rough as noted in the drawing. These depths are different depending on the trim and do not necessarily match the depth on the rough instructions.**

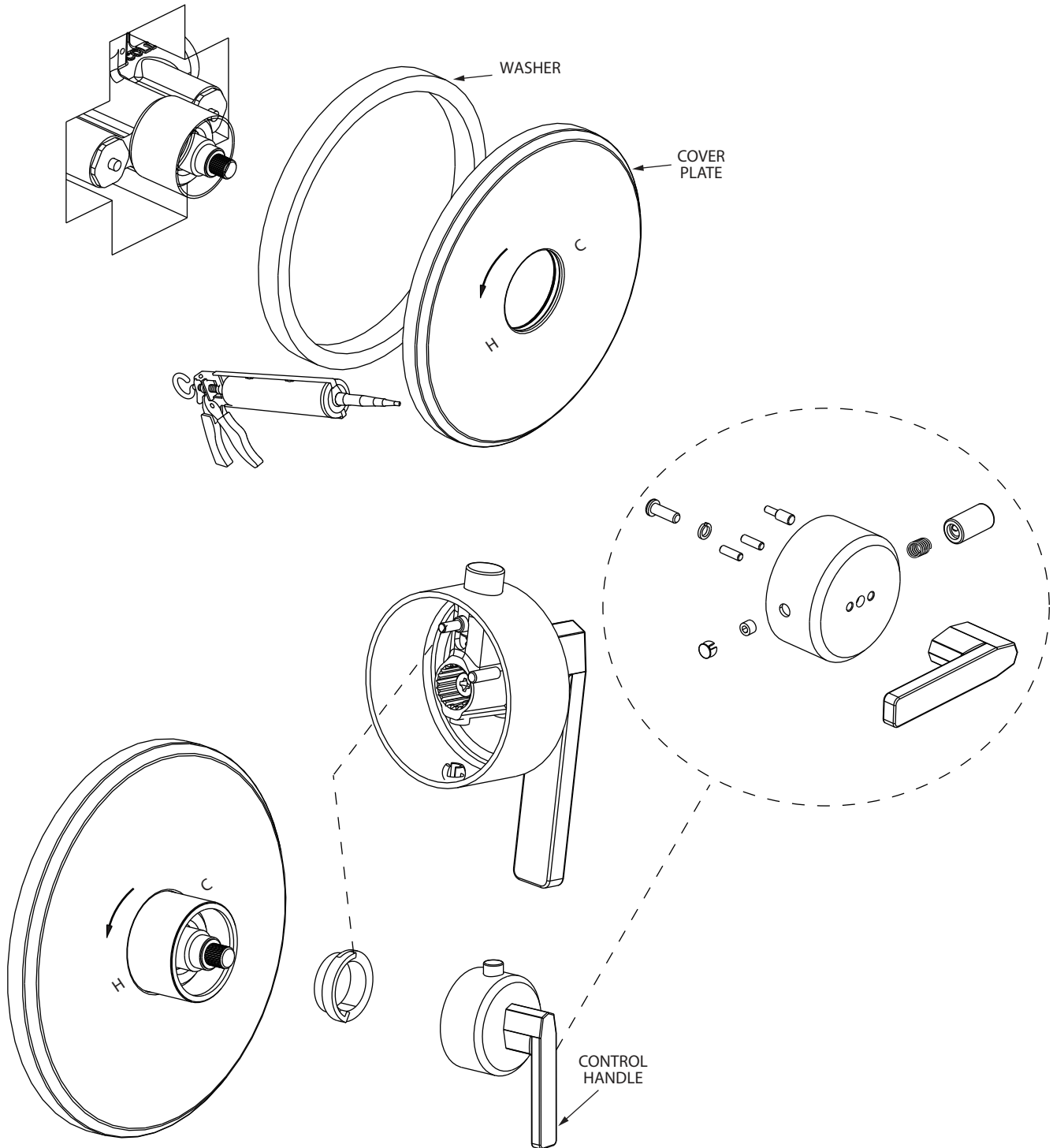
Trim Set	Valve Body	Type
18-16-T	TH-RGH	Thermostatic Valve
18-17-T	VC-RGH	Volume Control
	DIV-RGH	2-way Diverter
	3DV-RGH	3-way Diverter

- Attach collars by turning into the valve.



## 2 Installation

- Remove the adhesive tape film on the backside of cover plate.
- Apply a narrow bead of clear silicone sealant around the back edge of the cover plate and carefully press into position. Be sure to place in the correct orientation if there are etchings on the front of the cover plate.
- Fit the control handles by lining up the flat surface of the valve cover with the set screw on the handle.
- Tighten the screw with an hexagonal key.
- The cover plate comes affixed with a removable CUPC sticker.



**Warranty** - This **Crosswater London** product is covered by a limited lifetime warranty. For full details, terms and conditions please visit our website.

For further information contact: **Crosswater London**, 393 Fortune Blvd., Milford, MA 01757

Toll free number: 844-XWATER-1 (844-992-8371) tel: 508-381-0433 fax: 508-381-6068

[www.crosswaterlondon.com](http://www.crosswaterlondon.com)

email: [technical@crosswaterlondon.com](mailto:technical@crosswaterlondon.com)

Issue date: 04022021