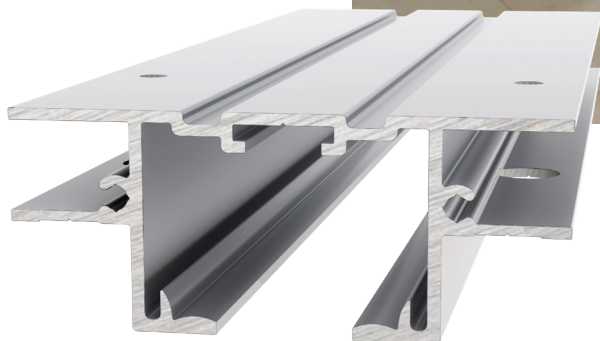


FH-CeilingMountTrack - Single

CS TrackSystems are an innovative range of track systems designed for a multitude of sliding doorway applications.

CS FH-CeilingMount Track is supplied with full-length fins that enable the ceiling lining to be fixed flush with the underside of the track. This ensures the continuation of the ceiling-line through where the door slides. The track can also be painted on site to match the ceiling color.

FH-CeilingMountTrack can be upgraded to SofStop® soft close. This is suitable for areas where quiet is required, such as bedrooms, offices and patient rooms.



Single FH-CeilingMountTrack

Single FH-CeilingMountTrack in a corner meeting pocket door setup.

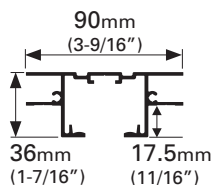
CS FH-CeilingMountTrack - Single

Standard Features & Options

- ▮ Suitable for large room dividers or surface sliding applications.*
- ▮ Track can be configured to suit Bi-Parting door set-ups, including CornerMeeting detail.
- ▮ 304 stainless steel components available for corrosive environments.
- ▮ Track may be painted on site to match ceiling color. (See data sheet on our website).

*Not suitable for use in a pre-fabricated pocket frame. You will need to build a wall either side of the track when using in a pocket application.

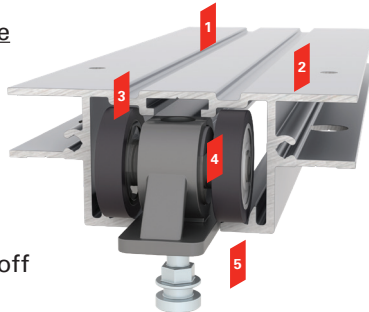
Technical Information



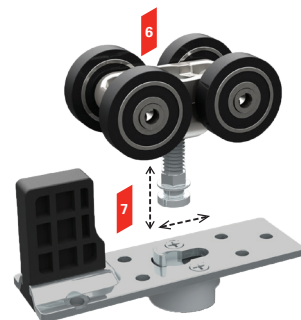
- Finish:** Clear anodized
- Door Thickness:** No limit
- Max Door Weight:** Std: 240kg (500lb)
SofStop: 120kg (264lb)
- Carriage Pack:** M6/M8/SofStop

Our engineers focus on constantly developing new products and refining existing ones. That's why our products come with a number of unique features:

- 1 Heavy duty one-piece extruded aluminum track.
- 2 Pre-machined mounting holes.
- 3 Minimal clearance means the carriages/wheels cannot jump off the track or jam.
- 4 Large diameter wheels with precision ground bearings make for smooth running.
- 5 Radiused track reduces friction and allows dust to be pushed into the gutters so the door always slides smoothly.
- 6 M8 body made from cast stainless steel for strength and reliability. 4-wheel carriages are standard on all doors over 200lb.
- 7 **CarriSnap™** quick release system allows the door to be removed easily from the track; no need to unscrew anything and lose door height adjustment.

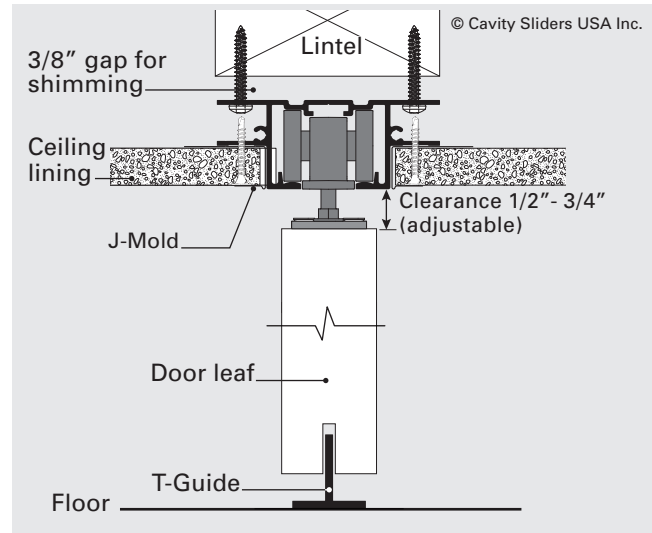


FH-Ceiling Mount Track with M6 carriage



M8 carriage & mounting plate with stop

Fixing Detail



CS SofStop® Features & Options

- ▮ Single or Twin action (soft open/soft close) options available.
- ▮ The soft close mechanism is hidden from sight, yet remains fully serviceable.
- ▮ High quality soft close mechanism has been independently tested to 100,000 cycles.

CS SofStop® Single	Minimum Door Width	
	No stop	1 Stop
 0 - 176 lb 80kg	25" (635mm)	28" (711mm)
 176 - 264 lb 120kg	28" (711mm)	31" (787mm)
CS SofStop® Twin	No stop	1 Stop
 0 - 176 lb 80kg	34" (864mm)	36" (914mm)

How to Order

Refer to Carriage Packs page for more information

1. **Specify track length**
Available in 6', 8', 12 and 24' pre-cut lengths or can be cut down to specified length on request.
2. **Specify door weight & width** (see options)
3. **Choose a carriage pack** (one per door) - **refer to Carriage Packs page**
M6 (200lb), **M8** (500lb) or **SofStop**

© All copyright and other property in this document is reserved by Cavity Sliders USA Inc. Details and specifications are subject to change without notice. Whilst all care is taken to ensure the accuracy of all information, no responsibility will be accepted for any errors or omissions. CS FH-CeilingMountTrack™ (O.D. 2008). Patent pending. 60683 07.2019

www.cavitysliders.com

High quality products designed in New Zealand



T (888) 466 0030
F (310) 769 5824
E info@cavitysliders.com

Cavity Sliders USA Inc.

548 Finney Ct
Gardena
CA 90248



CavitySliders
The Pocket Door Experts