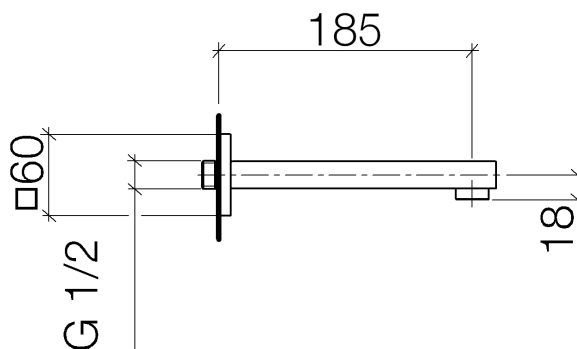




Product specifications

• **7-1/4" Projection**

- Fixed spout
- Round aerated stream
- 1-1/2" hole diameter
- Flange 2-3/8" x 2-3/8"
- 1/2" connection
- Plug-in connection mounting
- Water flow rate limited to max. 1.2 gpm
- low lead compliant



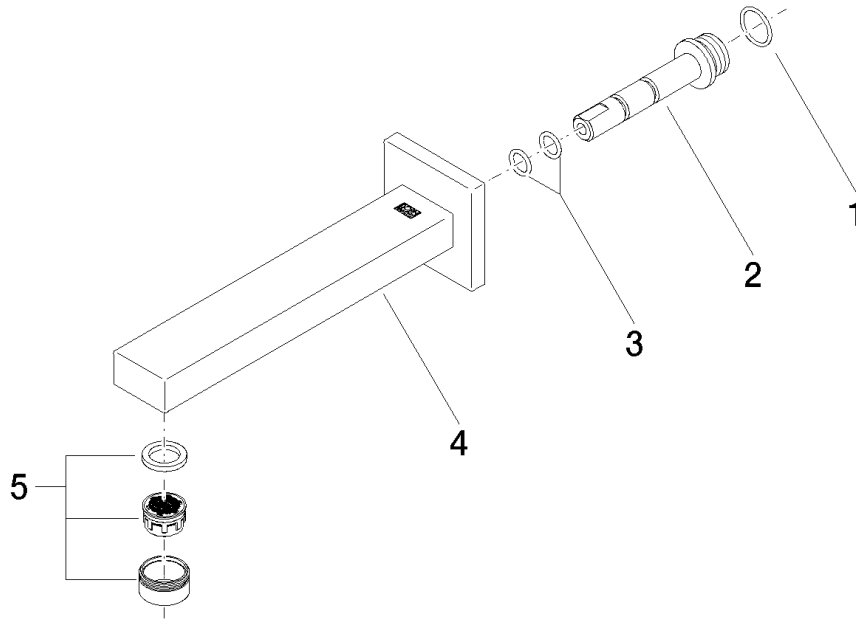
Surfaces

- chrome 13800980-000010
- matt platinum 13800980-060010

Accessories required

- Rough-in adapter; 35 080 970

Exploded assembly drawing



Bath & Spa

Symetrics Lavatory spout, wall-mounted without drain

Article number: 13800980ff0010



Order quantity

No.	Article number	Name	Installation quantity
1	09141005390	seal	1
2	09240413590	nipple	1
3	09141000890	seal	1
4	90116800400ff	spout	1
5	90230102905ff	aerator	1

Bath & Spa

Symetrics Lavatory spout, wall-mounted without drain

Article number: 13800980ff0010

