



Sink - IMO

Three-hole lavatory mixer with drain - Brushed Chrome

Article number: 20 713 670-93 0010

Date of manufacture from 4/1/2014



- 6-1/2" Projection
- US drain with overflow
- Rigid spout
- Rectangular aerated stream
- Total height 8-5/8"
- Height to aerator/spout outlet 6-3/4"
- Valve hole diameter 1-1/4"
- Spout hole diameter 1-3/8"
- Flange 2-3/8" x 2-3/8"
- 2x 3/8" flexible supply lines
- Water flow rate limited to max. 1.2 gpm
- lead-free

Codes & Standards

- NSF/ANSI 372
- California Energy Commission (CEC)
- ASME A112.18.1/CSA B125.1
- NSF/ANSI/CAN 61
- ADA

- (ADA)
- Suitable only for basins with overflow.



Brushed Chrome



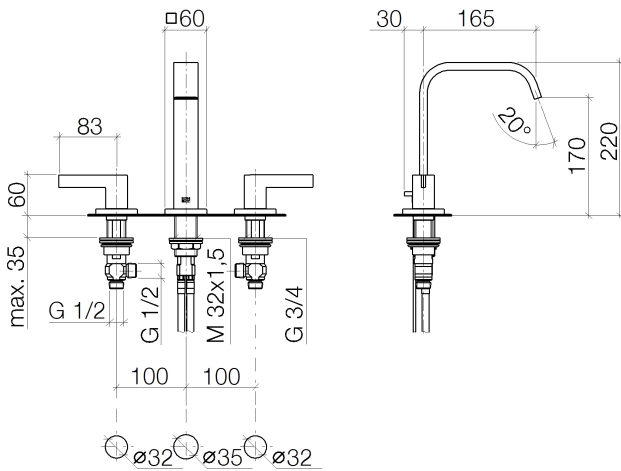
Sink - IMO

Three-hole lavatory mixer with drain - Brushed Chrome

Article number: 20 713 670-93 0010

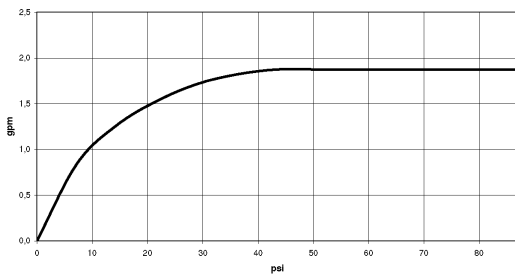
Date of manufacture from 4/1/2014

Dimensional drawing



All dimensions in mm / inch = mm x 0,0394

Flow rate chart





Sink - IMO

Three-hole lavatory mixer with drain - Brushed Chrome

Article number: 20 713 670-93 0010

Date of manufacture from 4/1/2014

Other surface finishes



Chrome

20 713 670-00 0010



Brushed Platinum

20 713 670-06 0010

More custom finish options are available via special production (xTra Service). See our finish matrix for availability and pricing or contact a Dornbracht representative. Some series may be excluded and some finishes may not be available in all series.



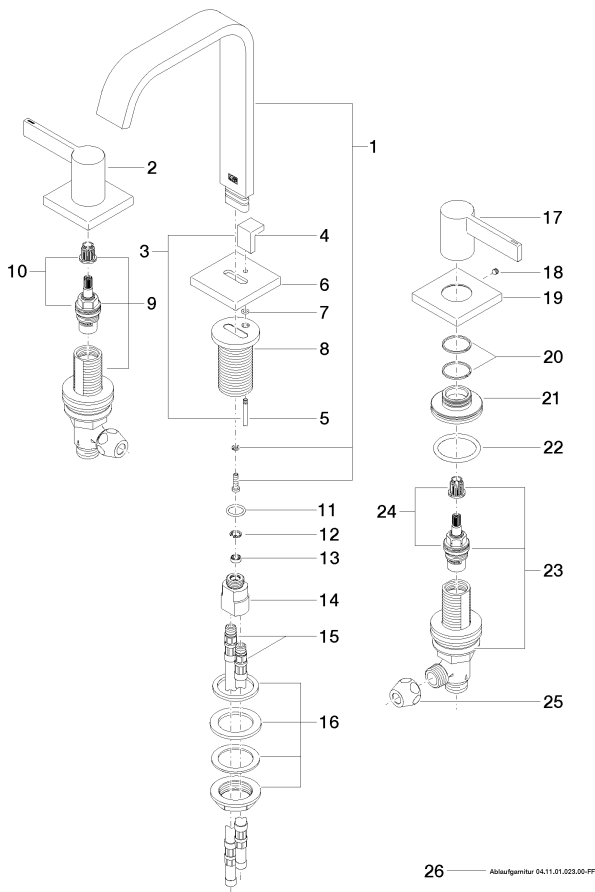
Sink - IMO

Three-hole lavatory mixer with drain - Brushed Chrome

Article number: 20 713 670-93 0010

Date of manufacture from 4/1/2014

Spare parts list



Number	Item Number	Designation	Number of units
1	90 28 22 267 01-93	spout	1
2	09 20 67 011-93	handle (hot)	1
3	04 20 78 030 80-93	pull-rod	1
4	09 20 78 030-93	handle	1
5	09 31 09 080-93	pull-rod	1
6	09 27 78 032-93	rosette	1
7	09 14 10 166 90	seal	1
8	09 11 10 054 10 90	connection	1
9	90 17 11 040 53 90	side panel	1
10	90 90 03 153 00 90	top	1
11	09 14 10 130 90	seal	1
12	09 16 01 016 90	ring	1
13	09 23 01 033 90	flow reducer	1
14	09 11 10 055 10 90	connection	1
15	04 30 04 016 00 90	hose	2
16	04 23 10 009 01 90	fixing set	1
17	09 20 67 012-93	handle (cold)	1
18	04 31 11 112 00 90	pin	1
19	09 27 22 043-93	rosette	1
20	09 14 15 014 90	ring	1
21	09 30 11 198-93	disc	1
22	09 14 10 036 90	seal	1
23	90 17 11 040 52 90	side panel	1
24	90 90 03 152 00 90	top	1
25	04 23 30 040 00-93	threaded connector	2
26	04 11 01 023 00-93	Drain US 1 1/4" - Brushed Chrome	1