



## Shower - Lissé

Concealed thermostat with three-way volume control - polished chrome

Article number: 36 428 845-00 0010

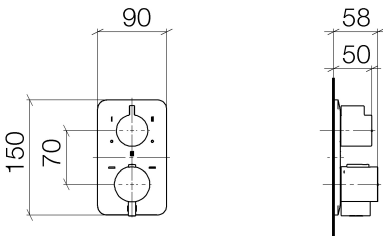
- Diverter with integrated volume control and integrated stops
- Cover plate 5-7/8" x 3-1/2"
- Max. temperature can be set on the trim
- Temperature control handle with safety lock at 100 °F/ 38°C
- (ADA)



polished chrome

Accessory is required for this item.

## Dimensional drawing



All dimensions in mm / inch = mm x 0,0394



Shower - Lissé

Concealed thermostat with three-way volume control - polished chrome

Article number: 36 428 845-00 0010



## Shower - Lissé

Concealed thermostat with three-way volume control - polished chrome

Article number: 36 428 845-00 0010

## Other surface finishes



platinum matte

36 428 845-06 0010

More custom finish options are available via special production (xTra Service). Please see our finish matrix for availability and pricing or contact a Dornbracht representative.

## Required article



35 428 970-90 0010

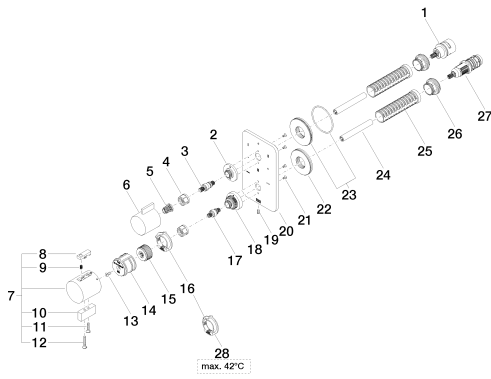
Concealed thermostat with  
integrated supply stops -

Shower - Lissé

Concealed thermostat with three-way volume control - polished chrome

Article number: 36 428 845-00 0010

Spare parts list



Number	Item Number	Designation	Number of units
1	90 90 03 168 00 90	diverter	1
2	09 12 12 053-00	base	1
3	04 29 06 111 00-00	spindle	1
4	09 23 30 023 90	nut	2
5	09 12 12 002 90	fixing cap	1
6	09 20 67 006-00	handle	1
7	04 17 33 006 00-00	handle	1
8	09 21 33 010-00	handle	1
9	09 16 02 027 90	spring	1
10	09 20 33 006-00	handle	1
11	09 30 30 159-00	screw	1
12	09 30 30 160-00	screw	1
13	09 30 30 124 90	screw	1
14	09 12 12 052 90	base	1
15	09 12 12 054 90	base	1
16	09 28 10 152 90	regulator	1
17	04 29 06 024 00-00	spindle	1
18	09 12 12 051-00	base	1
19	09 31 11 134 90	pin	1
20	09 11 02 319-00	plate	1
21	09 30 30 157 90	screw	4
22	09 30 01 188 90	disc	1
23	90 30 01 190 00 90	disc	1
24	09 23 01 124 90	sleeve	2
25	09 18 40 077 90	sleeve	2
26	09 24 04 257 90	nut	2
27	90 15 02 012 00 90	cartridge	1
28	09 28 10 151 90	regulator	1