

Thank you for choosing an Electric Mirror.

These instructions will guide you through adjustment of the hinges in your mirrored cabinet product from Electric Mirror.

IMPORTANT

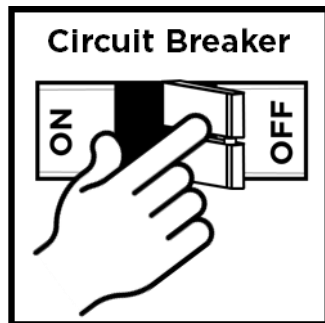
Please familiarize yourself with these instructions completely prior to installation.

The components and features shown are subject to change without notice.

Installation

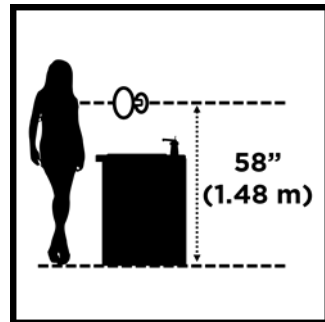
Step 1

1. Turn off main power at electrical breaker box before installation.



Step 2

2. Determine appropriate location and height. Electric Mirror recommend 58" from floor if used while standing.

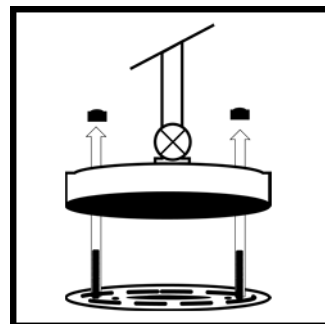


Step 3

3. Install standard 3 1/2" or 4" octagonal electrical box. The power requirements are .125 amps and 120 volts for the United States.

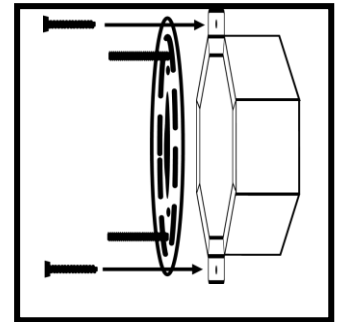
Step 4

4. Remove decorative nuts from screws and separate mounting plate and decorative cover.



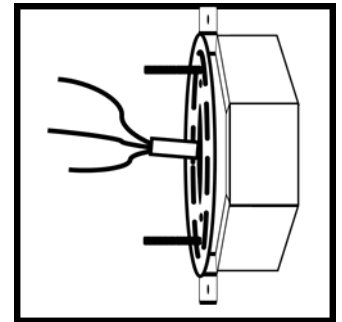
Step 5

5. Hold mounting plate in position and thread screws through mounting plate into electrical box.



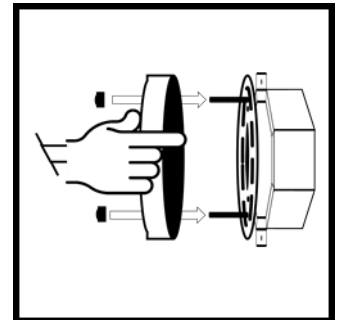
Step 6

6. Connect wires, smooth wire side to hot wire, and rough wire side to neutral wire.



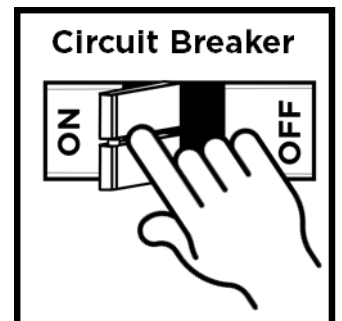
Step 7

7. Place decorative cover over mounting bracket by aligning holes with screws and secure unit snug with decorative nuts.



Step 8

8. Turn on main power and switch.



SUPPORT

Questions?
Contact customer service
425 776-4946

LEGAL

©2016 Electric Mirror LLC. All rights reserved. Electric Mirror and the Electric Mirror logo are registered trademark of Electric Mirror LLC Inc.