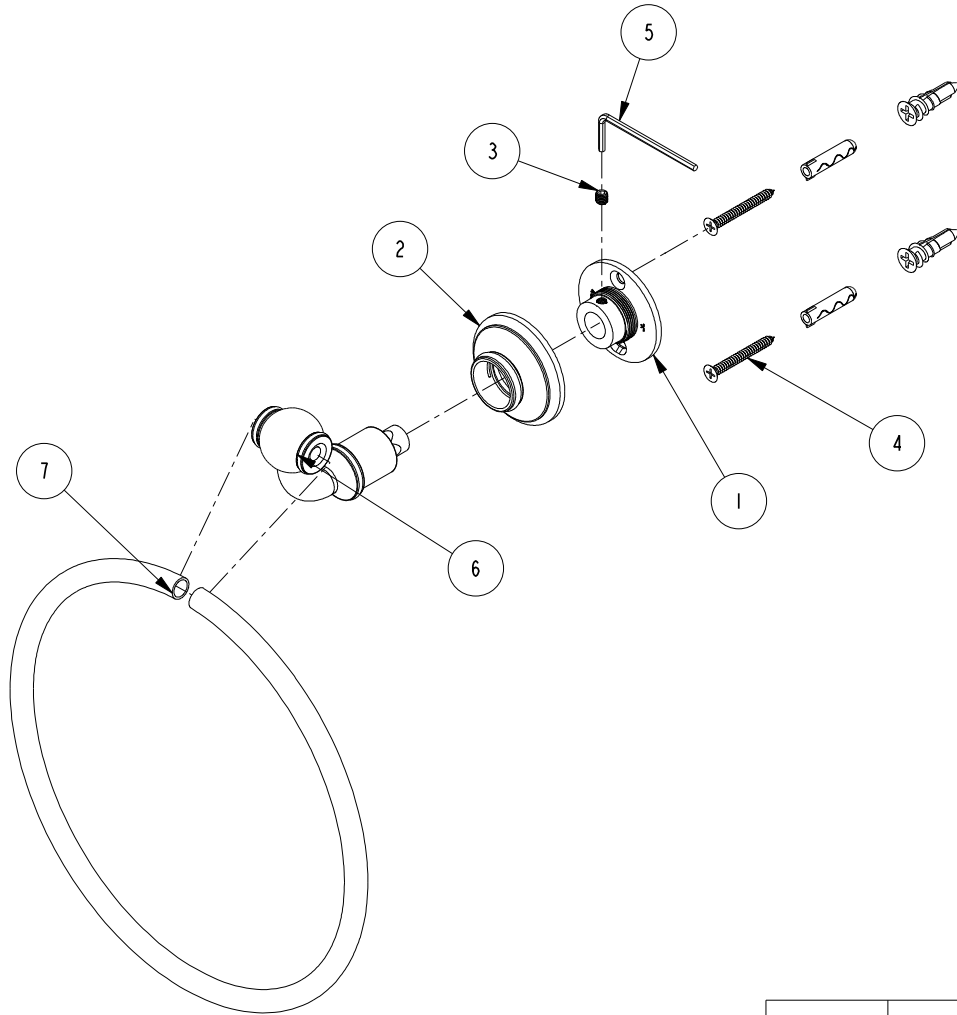


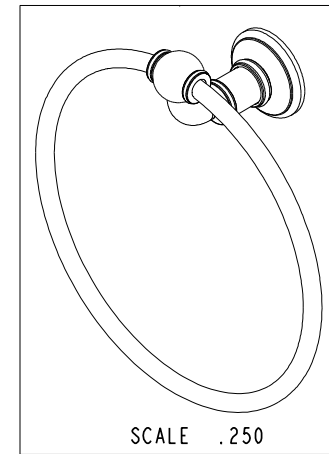
NOTES:

(NI) 1. FIT / FORM / FUNCTION SHALL FOLLOW PS-E.008.



**BILL OF MATERIAL (CURRENT LEVEL)**

ITEM	PT/ASSY	DESCRIPTION	TYPE	QTY.
1	45XX	MOUNTING FLANGE	PART	1
2	40460	ROSETTE	PART	1
3	92308	SCRW, M5 X 5 SKT HD CUP PT W/ SELF LOC SS	PART	1
4	1-206	HARDWARE PACK	ASSEMBLY	1
5	10888	HEX KEY, 2.5MM ALLOY STEEL	PART	1
6	7-704	TOWEL RING - POST ASSEMBLY	ASSEMBLY	1
7	40469	8" TOWEL RING	PART	1



-	D	EN-4098	02/21/20	R. S.
-	C	EN-4032	11/25/19	R. S.
-	B	-	06/27/07	-
-	A	-	10-31/06	-
ZONE	REV	DESCRIPTION	DATE	APPROVED

COPYRIGHT 2005 BRASSTECH, INC. THESE DRAWINGS AND THE DESIGNS DEPICTED HEREIN ARE THE PROPRIETARY PROPERTY OF BRASSTECH. ANY USE OR REPRODUCTION IS SUBJECT TO THE EXPRESS APPROVAL OF BRASSTECH. UNAUTHORIZED USE IS STRICTLY PROHIBITED. ALL RIGHTS RESERVED.

TESTING	-	-	-
ASSEMBLY	-	-	-
PLATING	-	-	-
POLISHING	-	NEXT ASSY	USED ON
MACHINING	-	APPLICATION	
TOOLING FIXTURE #	REMOVE ALL BURRS AND SHARP EDGES		

UNITS ARE: INCHES [MM]  
TOLERANCES ARE:  
FRACTIONS DECIMALS ANGLES  
±1/16" .X ±.1 [2.5] ±1°  
.XX ±.06 [1.5]

(X.XXX) DENOTES CRITICAL DIMS.  
ALL THREADS ARE CRITICAL

DRAWN	R.S.	12/09/11
CHECKED	R.S.	12/09/11
APPROVED	R.S.	12/09/11

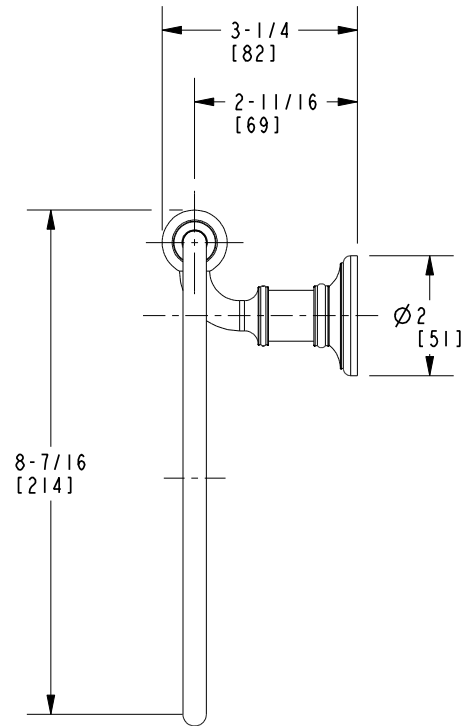
**BRASSTECH**  
INCORPORATED

2001 CARNEGIE AVE.  
SANTA ANA, CA 92705  
(949) 417-5207

8" TOWEL RING

DWG NO.	4505	REV	D
SCALE	.313	REF.	-
SHEET	1	OF	2

$\varnothing 8 - 3/16$   
[208]



**BRASSTECH** 2001 E. CARNEGIE AVE.  
INCORPORATED SANTA ANA, CA 92705  
(949) 417-5207

DWG NO.	4505	REV	D
SCALE	.313	REF.	-
SHEET 2		OF 2	