
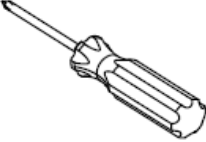

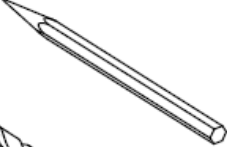

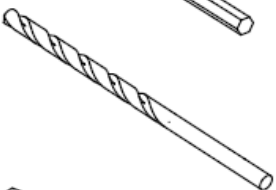
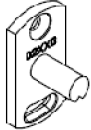
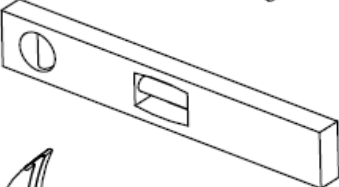

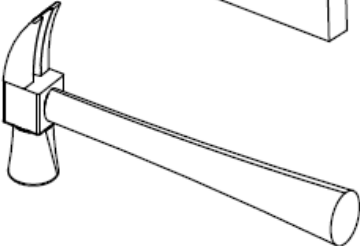




ITEMS INCLUDED	TOOLS REQUIRED
DRY WALL ANCHOR X 4 	PHILLIPS SCREW DRIVER 
TILE ANCHOR X 4 	PEN / PENCIL 
#8 SCREW X 4 	1/4" (6 mm) DRILL 
MOUNTING BRACKET X 2 	LEVEL SET 
M6X1 SET SCREW X 2 	HAMMER 
3MM HEX KEY X 1 	
DOUBLE ARM TISSUE HOLDER X 1 	

# KUBIC

## INSTALLATION INSTRUCTIONS

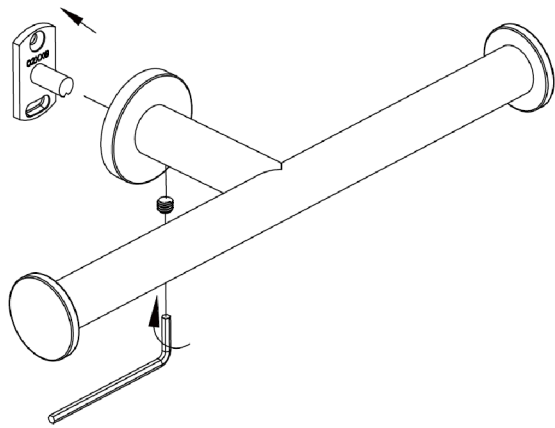
4609

## DOUBLE ARM TISSUE HOLDER

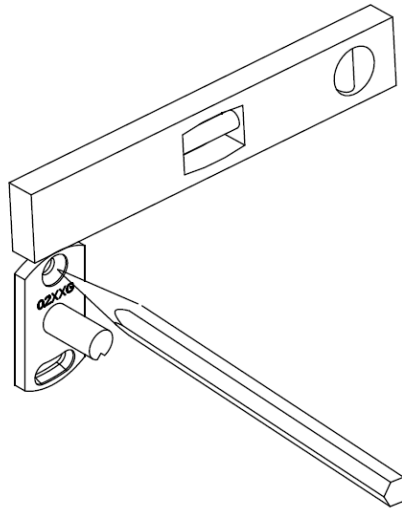
**GINGER**  
*Luxury For Your Lifestyle™*

2001 CARNEGIE AVE, SANTA ANA CA 92705  
 (949) 417-5207  
 WWW.GINGERCO.COM

① REMOVE MOUNTING BRACKETS

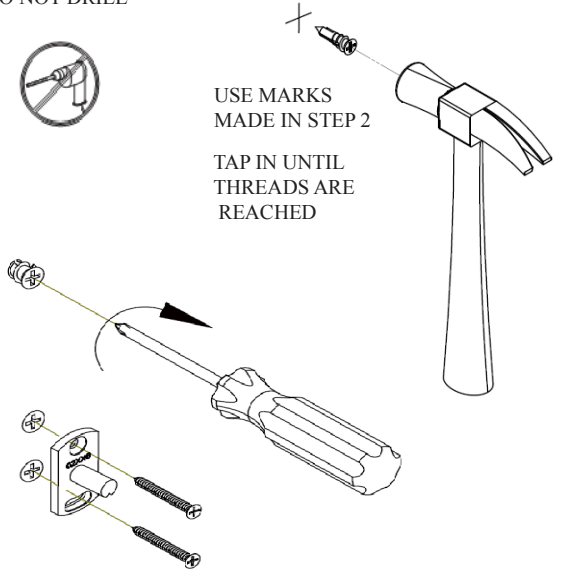


② ALIGN MOUNTING BRACKETS AND MARK LOCATION



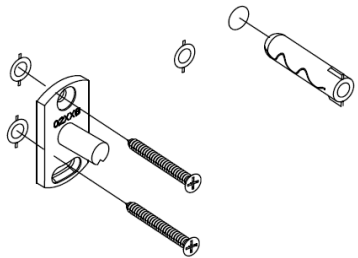
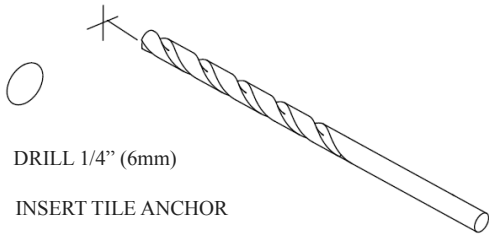
③ DRY WALL INSTALLATION

DO NOT DRILL

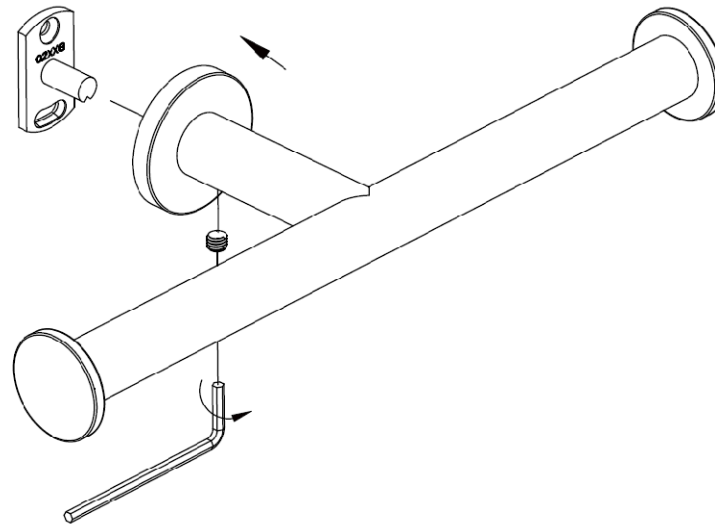


④ TILE OR SOLID WALL INSTALLATION

USE MARKS MADE IN STEP 2



⑤ INSTALL PRODUCT ONTO BRACKETS



SECURE WITH SET SCREW