

HB 660/35

FLUSH PULL

The Halliday+Baillie HB 660/35 is the sister flush pull to the HB 660. This version is shallower in depth for use with the HB 690 privacy lock or HB 680 active edge pull for doors less than 1-1/2" thick.

If using back to back together with the HB 680 Edge Pull, a minimum door thickness of 1-3/8 is required.

Each Flush Pull is shipped with one set of the HB 604 Timber Fixing kits.

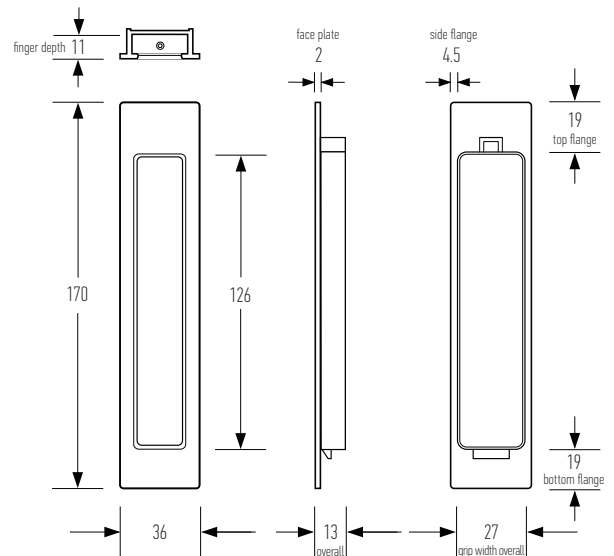
Material : Diecast Zinc and Brass

Dimensions : 170 (6.69") x 36 (1.42") x 13 (0.51")

Internal grip depth : 11 (0.43")

Suitable for timber or aluminum doors.

Available in all standard Halliday+Baillie finishes.
See finishes sheet for further details.



Includes HB 604 Timber Fixing Kit for timber door installation.

