

## HB 675

### OFFSET FLUSH PULL

Designed primarily for use with bi-fold and pivot doors, the Halliday+Baillie HB 675 Flush Pull also suits heavy sliding doors, hinge doors, or can be used horizontally on drawers. It provides an ample lip and generous 15mm (0.59") internal depth for when a more substantial grip is required.

Each Flush Pull is shipped with one set of the HB 604 Timber Fixing kits.

Available in both right and left-handed flush pulls – please specify handing when ordering.

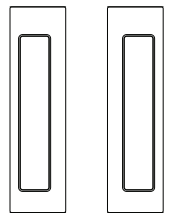
**Material** : Diecast Zinc and Brass

**Dimensions** : 170 ( 6.69" ) x 46 ( 1.81" ) x 18 ( 0.71" )

**Internal grip depth** : 15 ( 0.59" )

Suitable for timber or aluminum doors.

Available in all standard Halliday+Baillie finishes.  
See finishes sheet for further details.

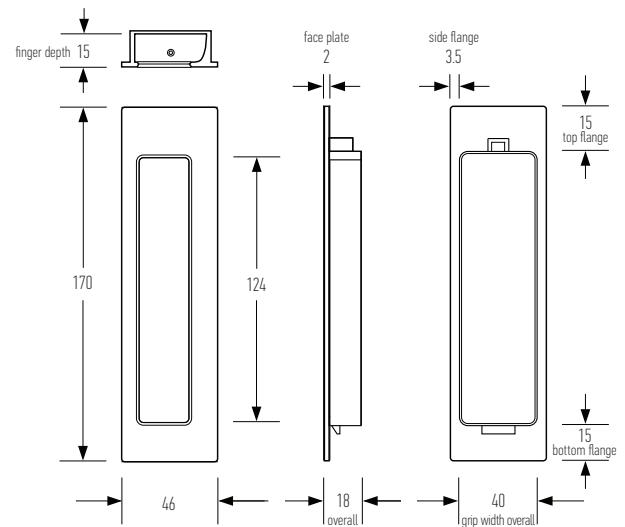


Right Hand Pull shown above

HB 675 LH

HB 675 RH

Includes HB 604 Timber Fixing Kit for timber door installation.



Left Handed Pull shown