

## P2023199 1/2" Thermostatic Rough-in Valve

### Description

- Thermostatic Rough-in valve
- On and off control with two ports
- Hot and cold one way check valves
- Forged brass valve body
- Universal 1/2" IPS fittings
- Hot and Cold service stops
- Anchor points for installation and blocking to secure valve in wall
- 10 GPM @ 60 PSI
- Mud guard included

### Standards

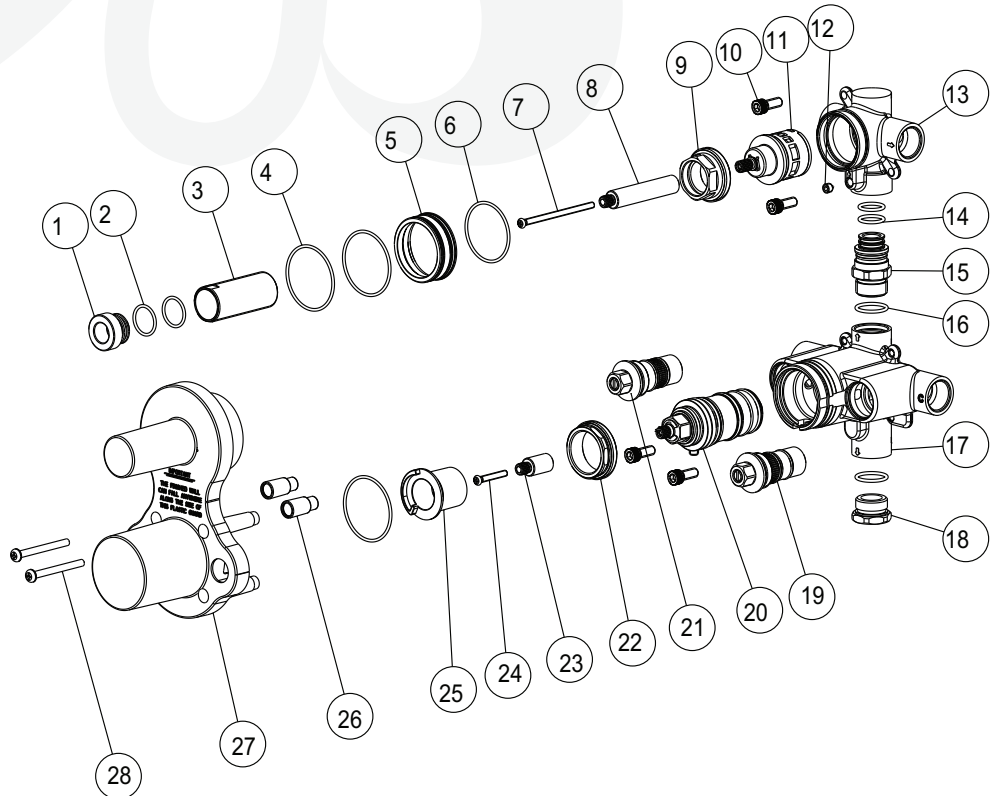
- Complies with IAPMO UPC/cUPC
- ASSE 1016-2011 compliant

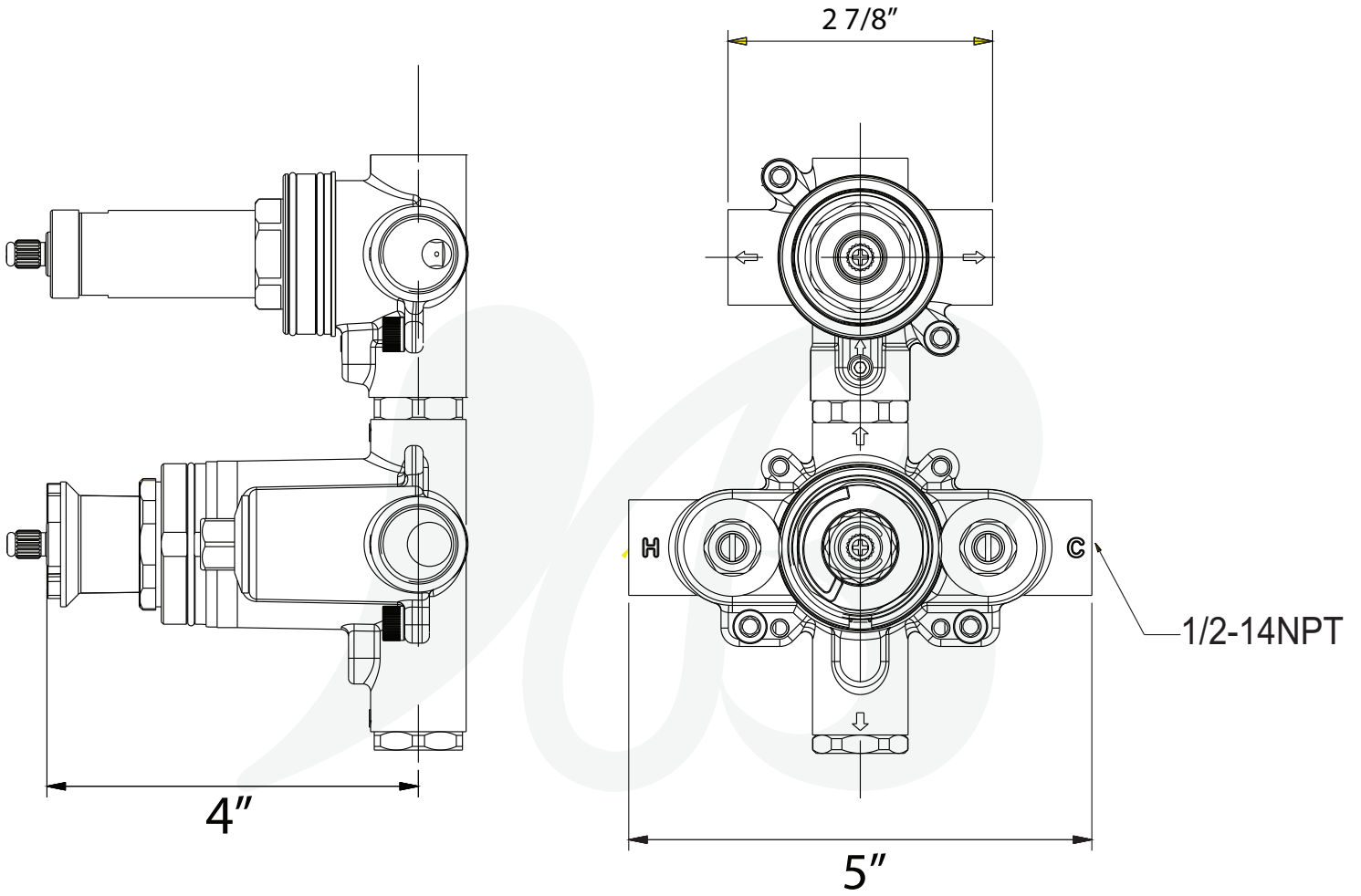


## BREAK DOWN

### Component Parts List

1	CTMP0061	CONNECTOR	1
2	CTRR0168	O-RING	2
3	CTMB0799	SHANK	1
4	CTRR0204	O-RING	3
5	CTNB0384	NUT	1
6	CTRR0126	O-RING	1
7	CTST0286	SCREW	1
8	CTMB0800	SHANK	1
9	CTNB0404	BONNET	1
10	CTST0293	SCREW	4
11	ATBA0269	DIVERTER	1
12	CTST0177	SCREW	1
13	CTYB0722	BODY	1
14	CTRR0197	O-RING	2
15	CTMB0805	CONNECTOR	1
16	CTRR0045	O-RING	2
17	CTYB0720	BODY	1
18	CTTB0048	NUT	1
19	ATBA0310-XD	COLD CHECKVALVE	1
20	ATBA0314	THERMOSTATIC	1
21	ATBA0310-XR	HOT CHECKVALVE	1
22	CTNB0373	BONNET	1
23	CTMB0801	CONNECTOR	1
24	CTST0050	SCREW	1
25	CTCP0520	CAP	1
26	CTMP0053	CONNECTOR	2
27	CTCP0521	COVER	1
28	CTST1008	SCREW	2





Item Number	Type	Date
P2023199	Rough-in Valve	1/19/2018