

VICTORIA

DESIGNER COLLECTION

H | S

PVC SYSTEMS INCLUDE:

- 8 Fully directional adjustable PVC jets
- Anti-vortex safety suction
- Color matched system trim
- HydroOzone ozone sanitation system
- Rigid PVC piping
- Self draining pump and system
- Soft Touch electronic on/off control with 30-minute integral times
- 2.25 HP single speed pump
- Cable waste and overflow
- Requires 20 Amp Dedicated GFCI



The Victoria offers an oversized bathing well that allows two bathers complete relaxation and space while seated on either the elevated footrest or against the gently sloping backrest. Visit <http://www.hydrosystem.com> for more details on our options and accessories.



OPTIONS

- Grab Bars
- Chromatherapy-LED Lighting System
- Chromatherapy-LED Mini Spotlights
- Microban Antibacterial Protection
- Extra high density fiberglass
- Custom jet and pump locations
- Armrests available
- Waterfall Fill Spout (recirculating option available)
- Plated Metallic finish
- Additional directional Jets
- Swirling, Rotating, or Jumbo Jets
- Micro Therapy Jet
- Integral Waste and Overflow
- 1.5 HP Variable Speed Pump (digital temperature display optional)
- Electronic low water protection
- In-line heater
- Mood Light
- Back Masseur
- Neck Masseur Pillow
- Hydro Fragrance
- Hydro Fusion
- Hydro Coat
- Hydro Express quick ship

HYDRO SYSTEMS
Family Owned And Operated Since 1978

29132 Avenue Paine, Valencia, CA, 91355
661.775.0686 | hydrosystem.com

* Indicates options that are shown (listed in order from top to bottom/ left to right)

VICTORIA

DESIGNER COLLECTION

H|S

As SHOWN:

Whirlpool option with standard jets

FEATURES SHOWN:

- Jets
- Anti-vortex suction
- Overflow location

ALSO AVAILABLE:

- Soaking tub only
- Whirlpool
- Thermal Air
- Combo

SIZE:

73.48.24

WATER CAPACITY:

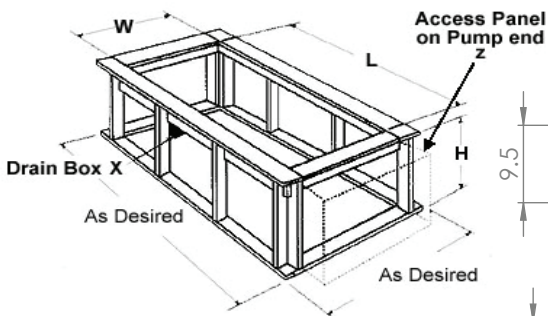
105 Gallons

WEIGHT:

XXX Pounds

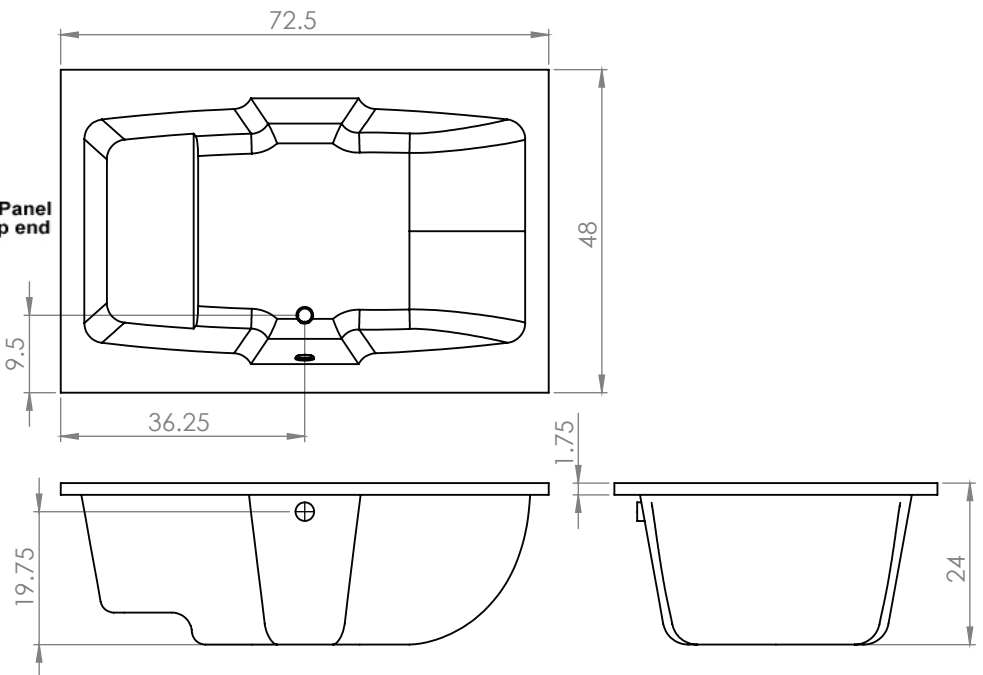
MODEL 7348 DIMENSIONS:

- (L)ength- 73"
- (W)idth- 48"
- (H)eight Finish- 24"



ACRYLIC TUB

- Acrylic models finished in 1/8" thick layer of deep lustrous acrylic
- Extra thick reinforced fiberglass
- Pre-wired pump on pump platform (standard pump location only)
- Integral E-Z level platform facilitates installation
- Non-skid bottom



CODES AND COMPLIANCES

Massachusetts code File no: P1-0614-491



HYDRO SYSTEMS
Family Owned And Operated Since 1978

29132 Avenue Paine, Valencia, CA, 91355
661.775.0686 | hydrosystem.com

All specifications and options subject to change without notice please contact a Hydro Systems representative for more information. Certain options or altering the pump/blower location may cause the pump/blower to extend beyond the tub decking. For cutout dimensions wait for unit to arrive. All specifications subject to change without notice.