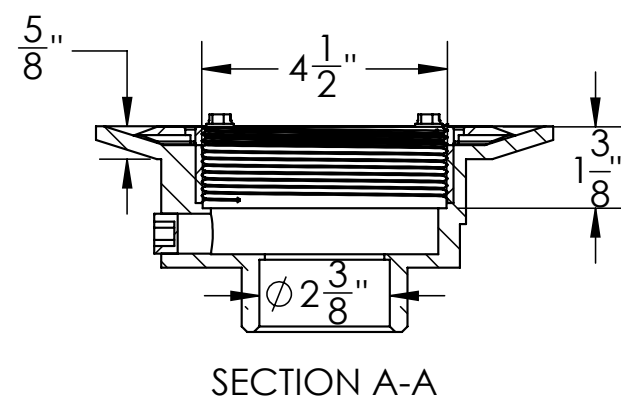
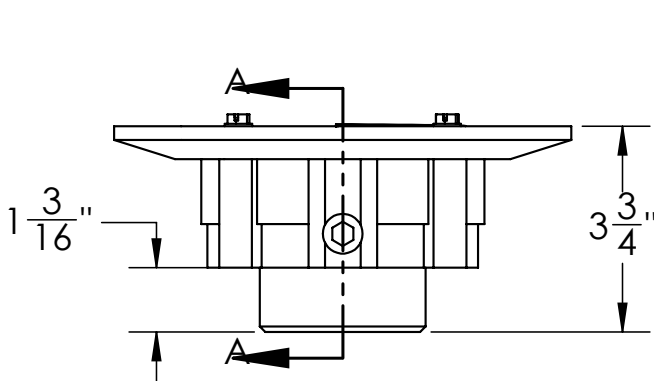
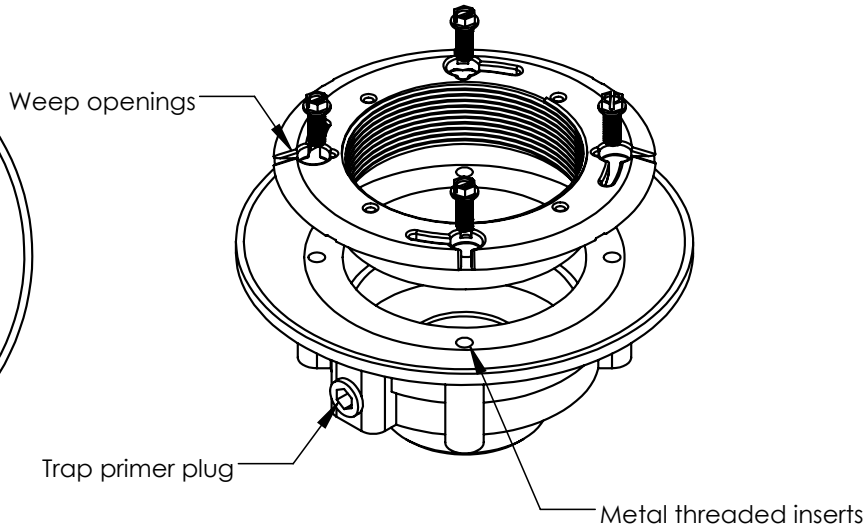
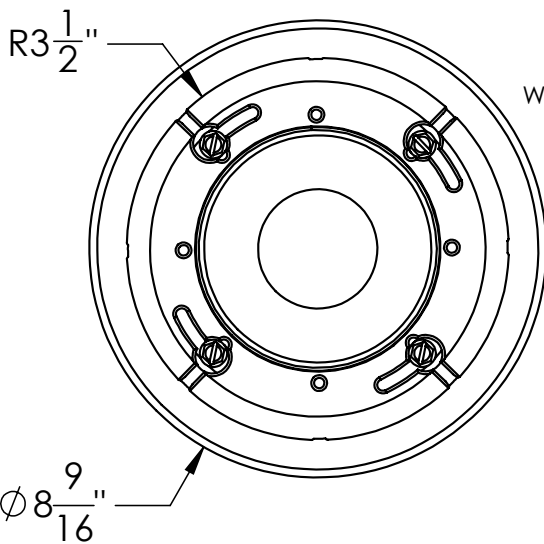


# CDA 42 Specifications ID Infinity Drain

- CDA 42:**
- ABS Clamp Down Drain Body Assembly
  - 4" IPS Throat with threaded top ring
  - Fits over 2" waste line OR inside 3" waste line
  - NPT trap primer plug
  - Compatible with traditional waterproofing membranes



**Infinity Drain**  
 145 Dixon Avenue  
 Amityville, NY 11701  
 Phone: 516.767.6786  
 Fax: 516.740.3066  
 www.infinitydrain.com



NOTE: Installer must verify all rough-in dimensions prior to installation and consult local and national codes. Conformity and compliance to local and national codes are the responsibility of the installer.