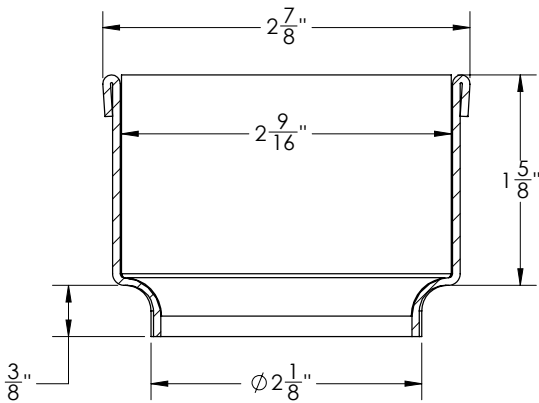


IC 65 Specifications



IC 65:

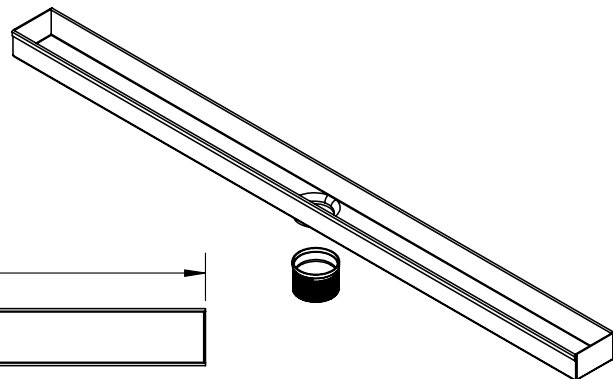
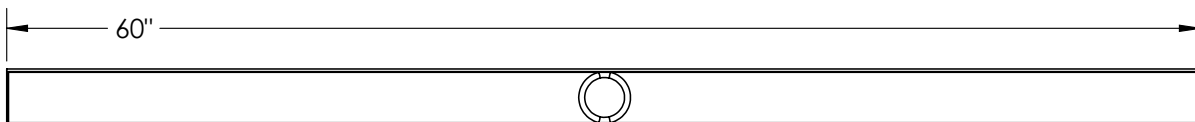
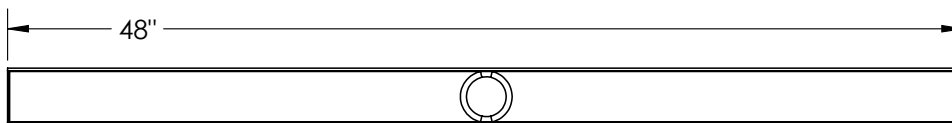
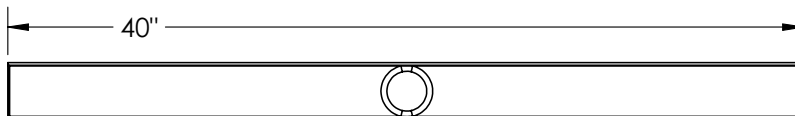
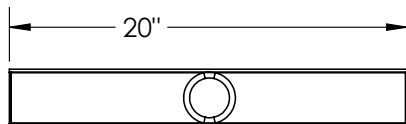
- Fixed Length Stainless Steel channel for the following models:
FXTIF 65 series drain
- Fixed Length NOT Site Sizable™
- 2" threaded waste line connection via TNAS threaded outlet (included with channel)

Models (overall dimensions):

- IC 6520: 20" L x 2 7/8" W x 2" H
- IC 6540: 40" L x 2 7/8" W x 2" H
- IC 6548: 48" L x 2 7/8" W x 2" H
- IC 6560: 60" L x 2 7/8" W x 2" H

Finishes:

- Satin Stainless - SS
- Polished Stainless - PS
- Satin Bronze - SB
- Oil Rubbed Bronze - ORB
- Matte Black - BK



Infinity Drain
145 Dixon Avenue
Amityville, NY 11701
Phone: 516.767.6786
Fax: 516.740.3066
www.infinitydrain.com



NOTE: Installer must verify all rough-in dimensions prior to installation and consult local and national codes. Conformity and compliance to local and national codes are the responsibility of the installer.