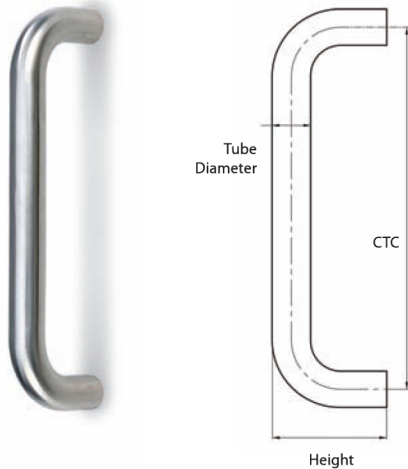


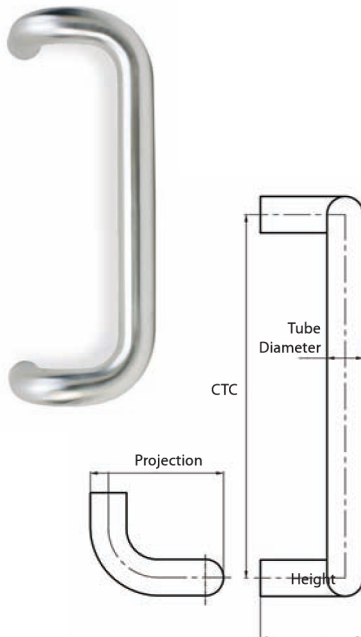
Pull Handles

Material: Stainless Steel

U-Shape Pull



Tube Diameter	CTC	Length	Height	Finish	Item Number
Dia. 3/4"	6"	6-3/4"	2-3/4"	32 32D	PHIX31106-32 PHIX31106-32D
Dia. 3/4"	8"	8-3/4"	2-3/4"	32 32D	PHIX31108-32 PHIX31108-32D
Dia. 3/4"	10"	10-3/4"	2-3/4"	32 32D	PHIX31110-32 PHIX31110-32D
Dia. 3/4"	12"	12-3/4"	2-3/4"	32 32D	PHIX31112-32 PHIX31112-32D
Dia. 1"	10"	11"	3"	32 32D	PHIX31210-32 PHIX31210-32D
Dia. 1"	12"	13"	3"	32 32D	PHIX31212-32 PHIX31212-32D
Dia. 1-1/4"	12"	13-1/4"	3-1/4"	32 32D	PHIX31312-32 PHIX31312-32D
Dia. 1-1/4"	18"	19-1/4"	3-1/4"	32 32D	PHIX31318-32 PHIX31318-32D



D-Shape Pull

Tube Diameter	CTC	Length	Height	Projection	Finish	Item Number
Dia. 1"	10"	11"	3-1/4"	4-1/2"	32 32D	PHIX32210-32 PHIX32210-32D
Dia. 1"	12"	13"	3-1/4"	4-1/2"	32 32D	PHIX32212-32 PHIX32212-32D
Dia. 1-1/4"	12"	13-1/4"	3-1/2"	4-3/4"	32 32D	PHIX32312-32 PHIX32312-32D
Dia. 1-1/4"	18"	19-1/4"	3-1/2"	4-3/4"	32 32D	PHIX32318-32 PHIX32318-32D

Functions:

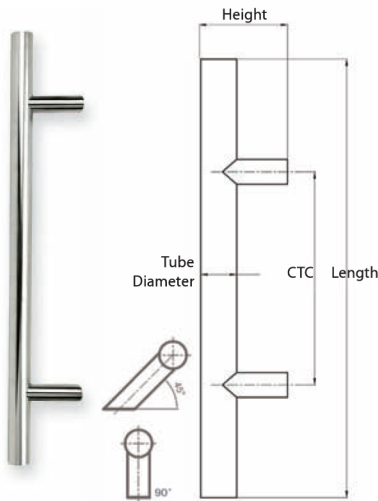
- * Bolt-thru = 1 Single pull + 1 Bolt-thru fixing pack (Function Code: BT)
- * Back-to-back = 2 Single pulls + 1 Back-to-back fixing pack (Function Code: BTB)
- * On rosette = 1 Single pull + 1 On-Roses fixing pack (Function Code: OR) * Only available for U shape pull Dia. 3/4"
- * Self-Tapping = Single pull + 1 Self-Tapping fixing pack (Function Code: ST)

How to order:

Please add function code after item number. i.e. PHIX32312-32D-BT

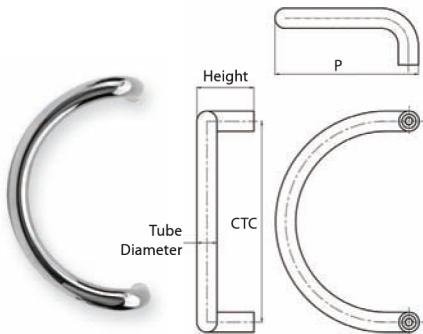
Pull Handles

Material: Stainless Steel



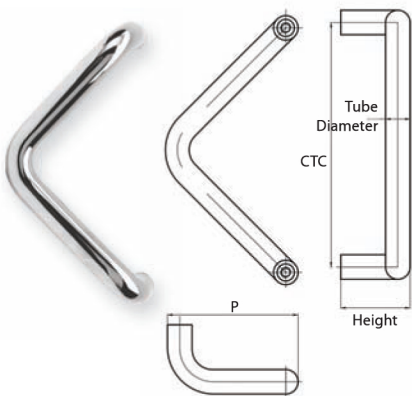
T-Shape Pull

Tube Diameter	CTC	Length	Height	Degree	Finish	Item Number
Dia. 1-1/4"	10"	18"	3"	90°	32 32D	PHIX33310-32 PHIX33310-32D
Dia. 1-1/4"	12"	20"	3"	90°	32 32D	PHIX33312-32 PHIX33312-32D
Dia. 1-1/4"	18"	26"	3"	90°	32 32D	PHIX33318-32 PHIX33318-32D
Dia. 1-1/4"	10"	18"	3"	45°	32 32D	PHIX34310-32 PHIX34310-32D
Dia. 1-1/4"	12"	20"	3"	45°	32 32D	PHIX34312-32 PHIX34312-32D
Dia. 1-1/4"	18"	26"	3"	45°	32 32D	PHIX34318-32 PHIX34318-32D



C-Shape Pull

Tube Diameter	CTC	Length	Height	Projection	Finish	Item Number
Dia. 1-1/4"	12"	13-1/4"	3-3/8"	8"	32D	PHIX35312-32D



V-Shape Pull

Tube Diameter	CTC	Length	Height	Projection	Finish	Item Number
Dia. 1-1/4"	12"	13-1/4"	3-1/4"	6"	32D	PHIX36312-32D

Functions:

- * Bolt-thru = 1 Single pull + 1 Bolt-thru fixing pack (Function Code: BT)
- * Back-to-back = 2 Single pulls + 1 Back-to-back fixing pack (Function Code: BTB)
- * On rosette = 1 Single pull + 1 On-Roses fixing pack (Function Code: OR) * Only available for U shape pull Dia. 3/4"
- * Self-Tapping = Single pull + 1 Self-Tapping fixing pack (Function Code: ST)

How to order:

Please add function code after item number. i.e. PHIX32312-32D-BT