

INSTALLATION INSTRUCTIONS

Contempo II Wall Mounted Accessories

Part #'s: 3501-RH, 3501-DRH, 3501-TR, 3501-TH, 3501-SD,
3501-3VTP, 3501-LTP, 3501-STP, 3501-DBTP, 3501-TB-18, 3501-TB-24,
3501-GS, 3501-GSW, 3501-HR



3501-RH



3501-DRH



3501-TR



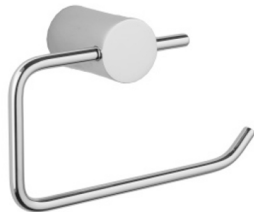
3501-TH



3501-SD



3501-3VTP



3501-LTP



3501-STP



3501-DBTP



3501-TB-18



3501-TB-24



3501-GS

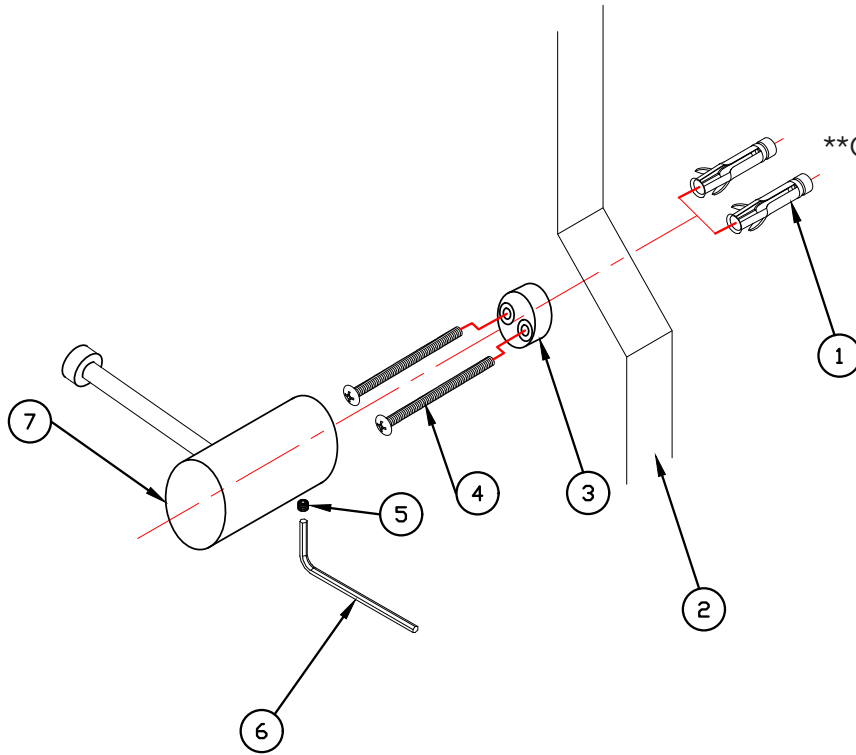


3501-GSW



3501-HR

COMPONENT PARTS		QTY.
1	Plastic Wall Anchor	2
2	Wall	
3	Mounting Bracket	1
4	Screw	2
5	Set Screw	1
6	Hex Wrench (NOT INCLUDED)	1
7	Contempo II Accessory	1



Quantity listed is for Single Hole Accessories

**3/32" Allen Key Required,
NOT SUPPLIED**

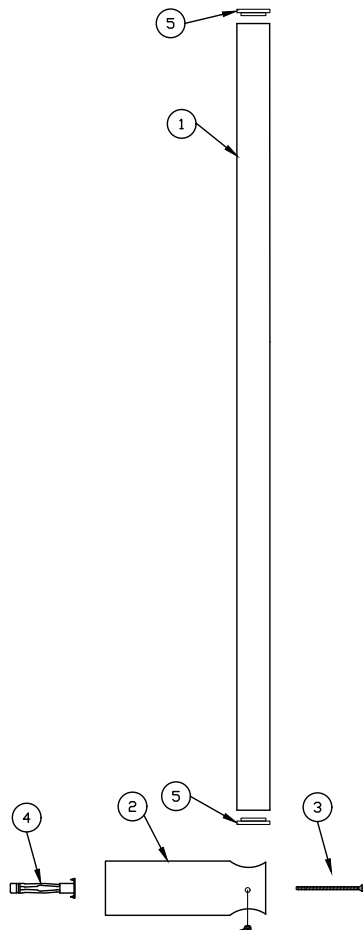
Single Hole Accesories Installation (3501-RH, 3501-DRH, 3501-TR, 3501-TH, 3501-SD, 3501-LTP, 3501-STP, 3501-DBTP)

1. Determine desired location of accessory.
2. Remove mounting bracket from accessory using 3/32" allen wrench (Not supplied). Place set screw in secure location.
3. Drill 1/4" hole and insert plastic anchors in wall.
4. Insert screw through mounting base and HAND tighten, ensuring set screw cavity is on bottom.
5. Place accessory over mounting base and secure with set screw. Correct install will have set screw flush with accessory.

Double Hole Accessories Installation (3501-TB-18, 3501-TB-24, 3501-GS, 3501-GSW, 3501-HR)

1. Determine desired location of accessory.
2. Using level and pencil, draw level line length of towel bar/glass shelf.
3. Measure center to center of holes in mounting bracket while mounting brackets are in place. And mark location on wall.
4. Drill 1/4" hole and insert plastic anchors in wall.
5. Remove mounting brackets from accessory using 3/32" allen wrench (Not supplied). Place set screws in secure location.
6. Insert screws through mounting brackets and HAND tighten, ensuring set screw cavities are level and on bottom.
7. Place accessory over mounting bases and secure with set screws. Correct install will have set screws flush with accessory.

3501-3VTP INSTALL ONLY



	COMPONENT PARTS	QTY.
1	WALL BAR	1
2	WALL POST	1
3	SCREW	1
4	WALL ANCHOR	1
5	END CAP	2
6	SET SCREW	2

POSITIONING OF WALL BAR

1. Determine convenient height for placement of wall bar.
2. Mark holes for proper placement of posts.
3. Drill 1/4" holes in the wall for posts.
4. Insert wall anchors into the wall.

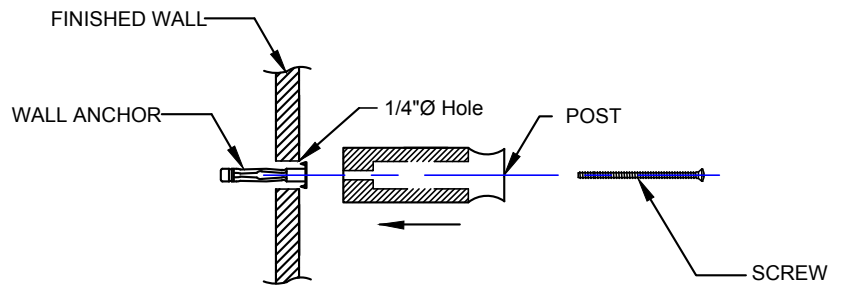


Figure 1

PREPARING FOR INSTALLATION

1. Fasten bottom wall post by putting screw through post and securing it to the bottom wall anchor. (Fig. 1)
2. Remove end caps from wall bar and put in safe/clean location. Place O-rings in caps if not pre-installed.
3. Slide wall bar through the top of the bottom post going below the top wall anchor. (Fig. 2)
4. Tighten set screw. (Fig. 3)
5. Replace end caps onto bar. (Fig. 4)

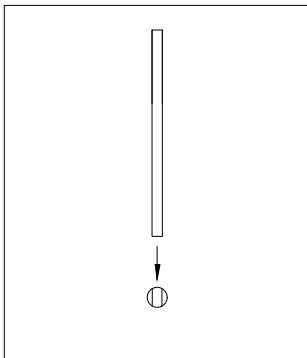


Figure 2

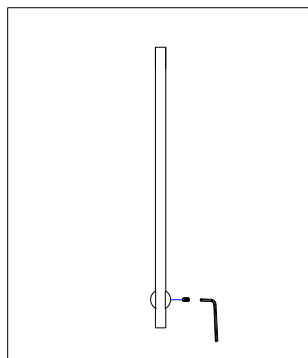


Figure 3

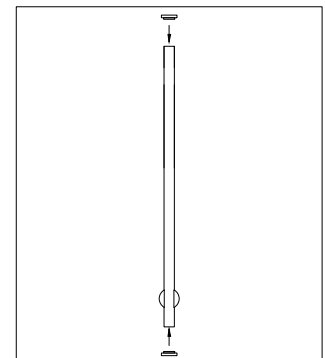


Figure 4

Over Fifty Years of Excellence Proud to be an American Company



CARE INSTRUCTIONS

In order to maintain the high quality finish of JACLO products, please adhere to the following product care instructions:

Cleaning JACLO products: For routine cleaning, simply use a soft damp cloth and common household soap, then rinse and dry. Proper care of your product is important because most water contains calcium that deposits on surfaces, forming unpleasant spots. This can be avoided by routine cleaning and drying after every use. Use only mild soap detergents. JACLO products may be periodically waxed with non abrasive compounds, such as Flitz® faucet wax.

Never use abrasive cleaners, bleach, disinfectants or cleaning products containing alcohol, ammonia, hydrochloric or phosphoric acids as they will damage the product finish.

Please note: Your product warranty may not be valid if the above cleaning guidelines are not followed.

WARRANTY

Residential Warranty: Your new plumbing fixture is warranted by JACLO INDUSTRIES, 129 Dermody Street, Cranford, NJ 07016. This warranty is extended to original consumer purchasers only. This warranty gives you specific legal rights, and you may also have other rights which vary from state to state.

The product (including the finish on the product but excluding any custom finishes and any installation hardware not supplied by JACLO) is warranted to be free from defects in material or workmanship under normal use and service for the lifetime* of the fixture, so long as the original consumer purchaser owns it. JACLO's sole obligation under this or any other warranty is limited to repairing or replacing at JACLO's option, without labor, any part or parts of the fixture which fail to conform to such warranty.

JACLO WILL NOT BE LIABLE FOR ANY CONSEQUENTIAL OR INCIDENTAL DAMAGES CAUSED BY A BREACH OF THIS OR ANY OTHER WARRANTY.

Some states do not allow the exclusion of limitation of incidental or consequential damages, so the above limitation may not apply to you.

To secure warranty performance, the original consumer purchaser must have the fixture properly and professionally installed in accordance with all codes and installation instructions.

Items and actions that will void the JACLO warranty are:

- Abuse, misuse, neglect and accidental damage
- Improper cleaning, care and maintenance of the fixture
- Alteration of the fixture in any way including removal of a flow regulator/restrictor

All warranty claims must be made in accordance with the JACLO return policy (see below).

JACLO does not authorize any distributor, retailer or other person to modify this warranty or assume any liability on its behalf with respect to it. Any question regarding the operation of warranty should be addressed to JACLO's warranty department.

*Due to the unpredictable environment, all kitchen drains, strainers and garbage disposal flanges are warranted for the period of one year from date of purchase from an authorized JACLO dealer.

Un-lacquered Brass (ULB) is a living finish and is excluded from any finish warranty.

Commercial Warranty: JACLO offers the above warranty for a period of one year from date of purchase to purchasers of products for industrial, commercial, business and all non-private residential uses.

