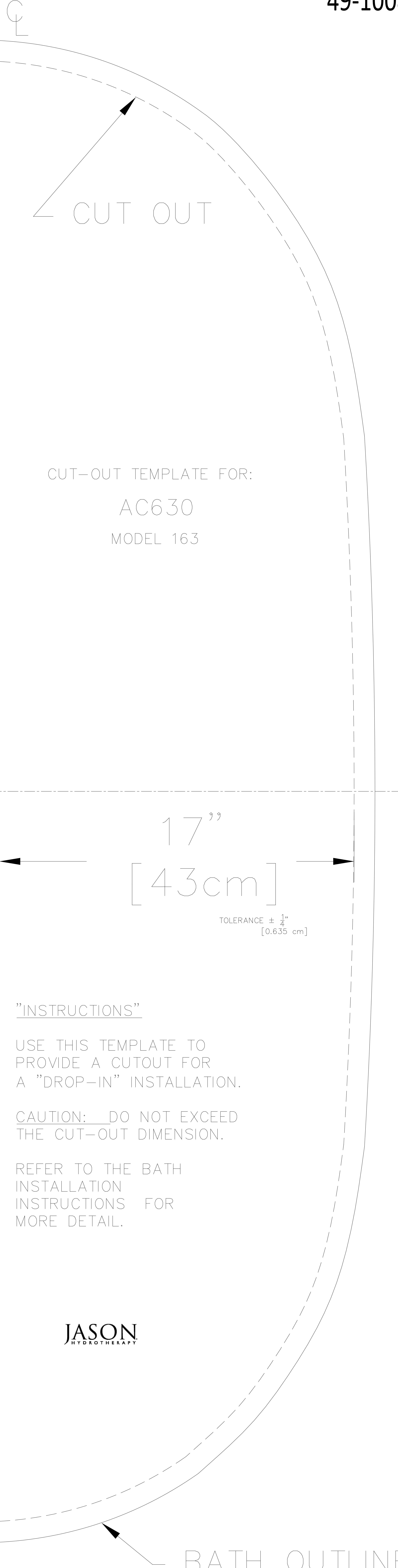


35''
[89cm]



CUT OUT

CUT-OUT TEMPLATE FOR:

AC630

MODEL 163

CL

17''
[43cm]

TOLERANCE $\pm \frac{1}{4}$ ''
[0.635 cm]

"INSTRUCTIONS"

USE THIS TEMPLATE TO PROVIDE A CUTOUT FOR A "DROP-IN" INSTALLATION.

CAUTION: DO NOT EXCEED THE CUT-OUT DIMENSION.

REFER TO THE BATH INSTALLATION INSTRUCTIONS FOR MORE DETAIL.

JASON
HYDROTHERAPY

BATH OUTLINE