

48"

Item Number:

301-V48-BW/SL

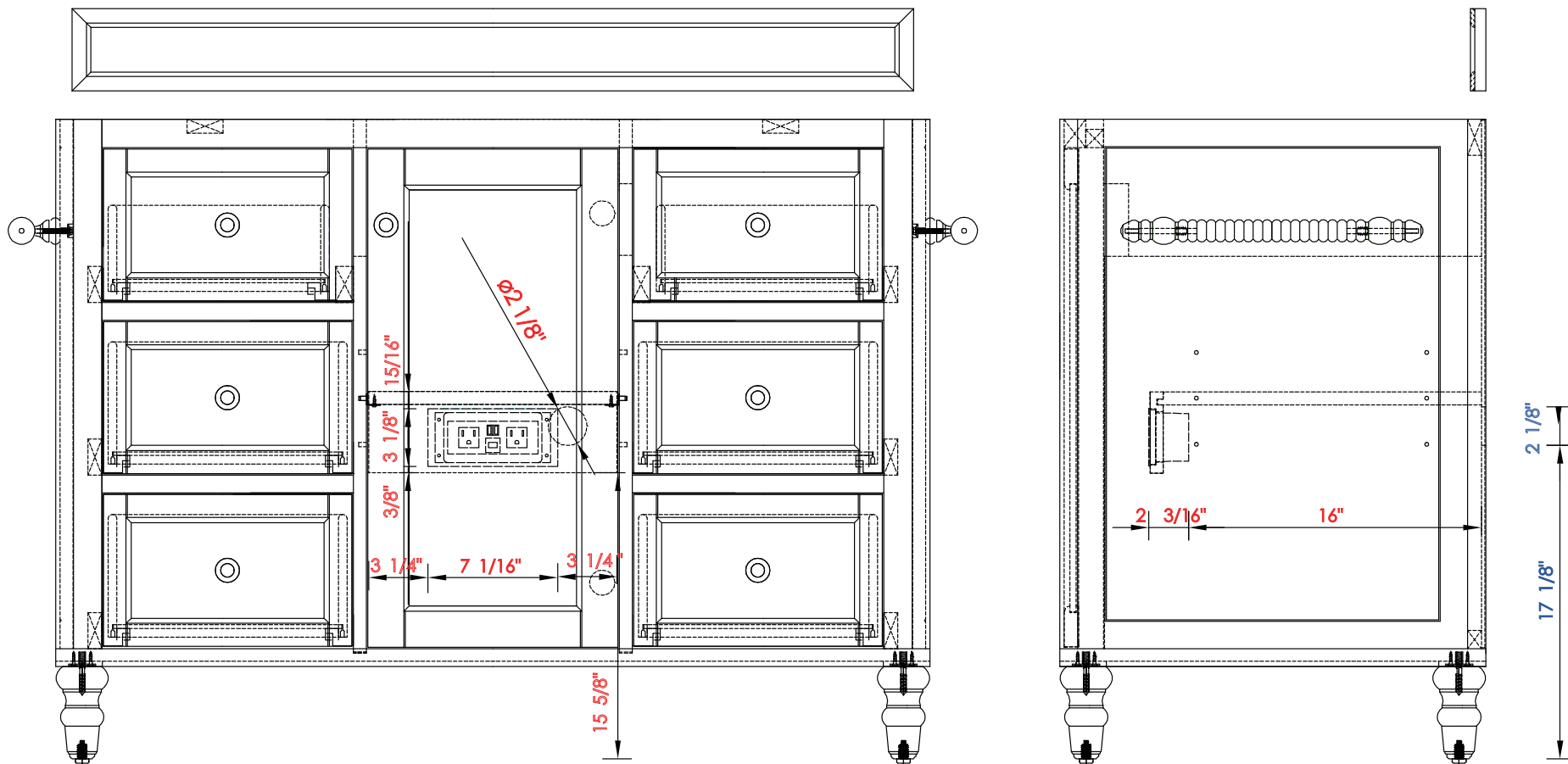
JAMES MARTIN



VANITIES

Copper cove encore 48 " Cabinet

Diagrams with Dimensions  
page 01 of 01



1219 mm

Item Number:

301-V48-BW/SL

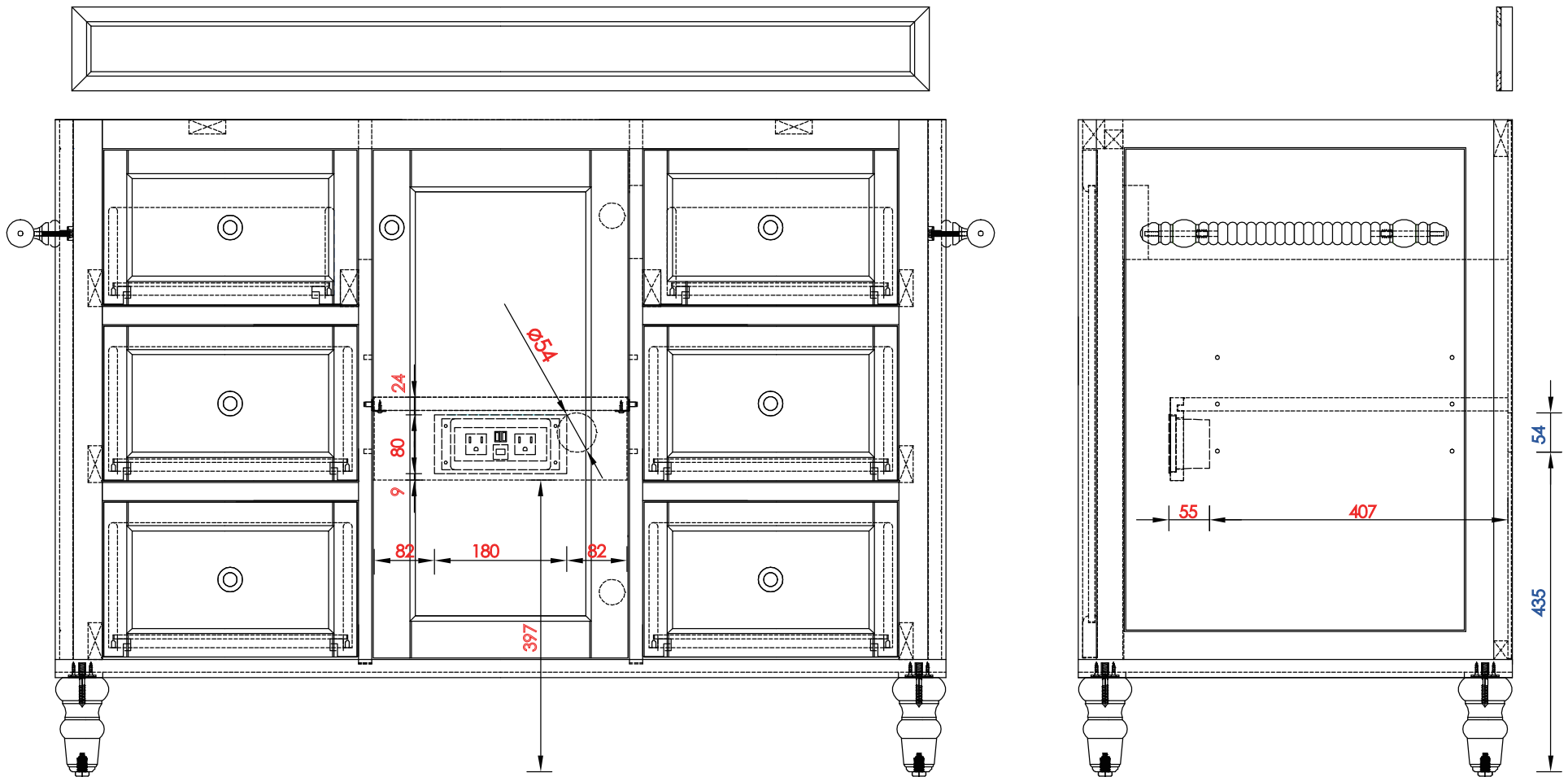
JAMES MARTIN



VANITIES

Copper cove encore 1219mm Cabinet

Diagrams with Dimensions  
page 01 of 01



126 3/16"

Item Number:

301-V48-BNM/SL  
301-DU26-BNM/SL

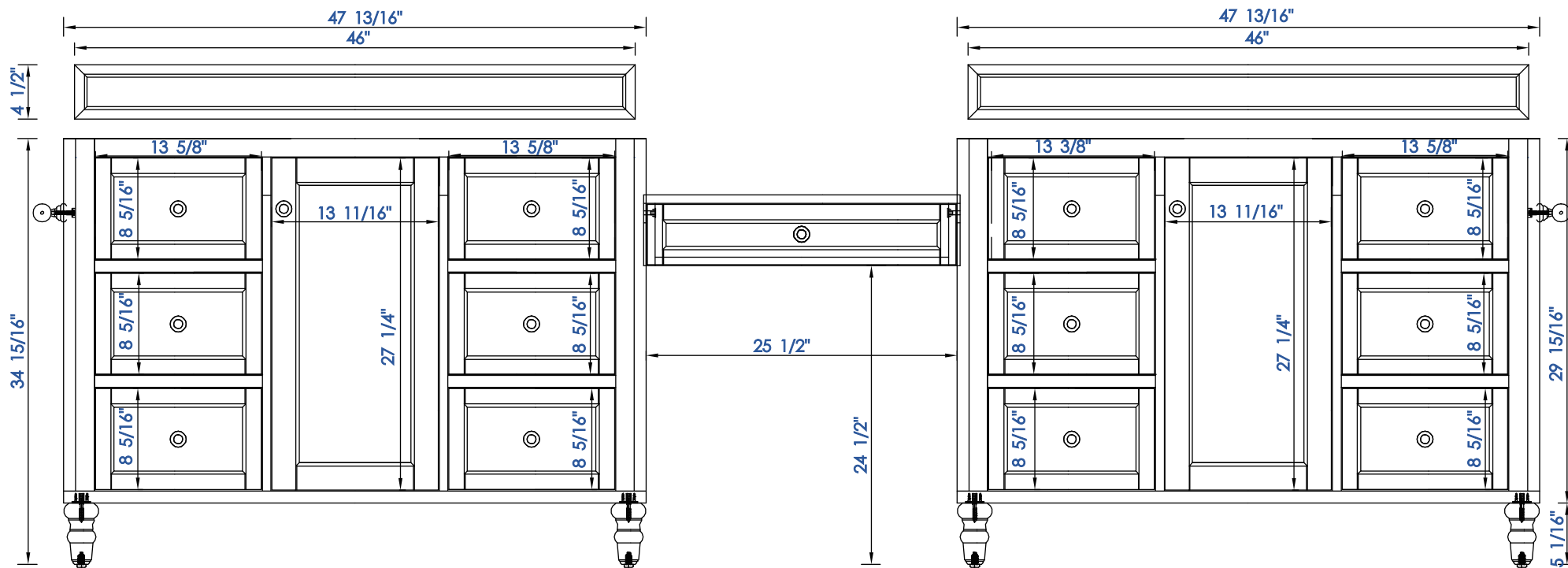
JAMES MARTIN



VANITIES

Copper Cove Encore Drawer Unit  
(V48+DU26+V48)

Diagrams with Dimensions  
page 01 of 03



NOTE ONE: Countertops are not shown in these diagrams. (Cabinet Only)

NOTE TWO: Wood Backsplash (Shown) is designed for the molding detail to align with sinks in James Martin's Optional Countertops.

Customer's own countertops and sinks may align differently, and modification may be required.

Please consult our website for Countertop Diagrams: [www.jamesmartinvanities.com](http://www.jamesmartinvanities.com)

126 3/16"

Item Number:

301-V48-BNM/SL  
301-DU26-BNM/SL

JAMES MARTIN

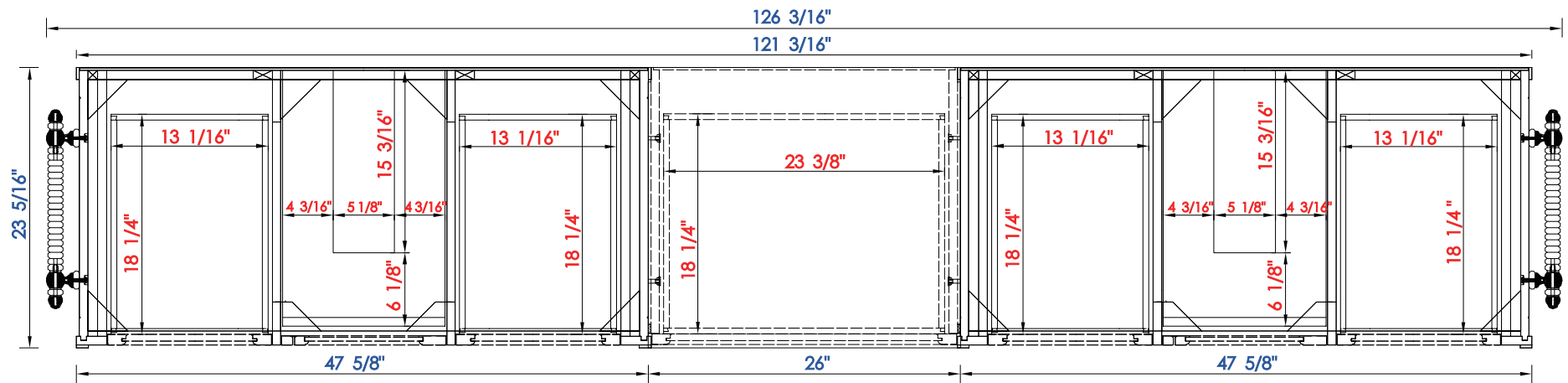


VANITIES

Copper Cove Encore Drawer Unit

(V48+DU26+V48)

Diagrams with Dimensions  
page 02 of 03



NOTE ONE: Countertops are not shown in these diagrams. (Cabinet Only)

NOTE TWO: Internal Shelves(Shown) are designed to align with sinks in James Martin's Optional Countertops.

Customer's own countertops and sink may align differently, and modification may be required.

Please consult our website for Countertop Diagrams: [www.jamesmartinvanities.com](http://www.jamesmartinvanities.com)

126 3/16"

Item Number:

301-V48-BNM/SL  
301-DU26-BNM/SL

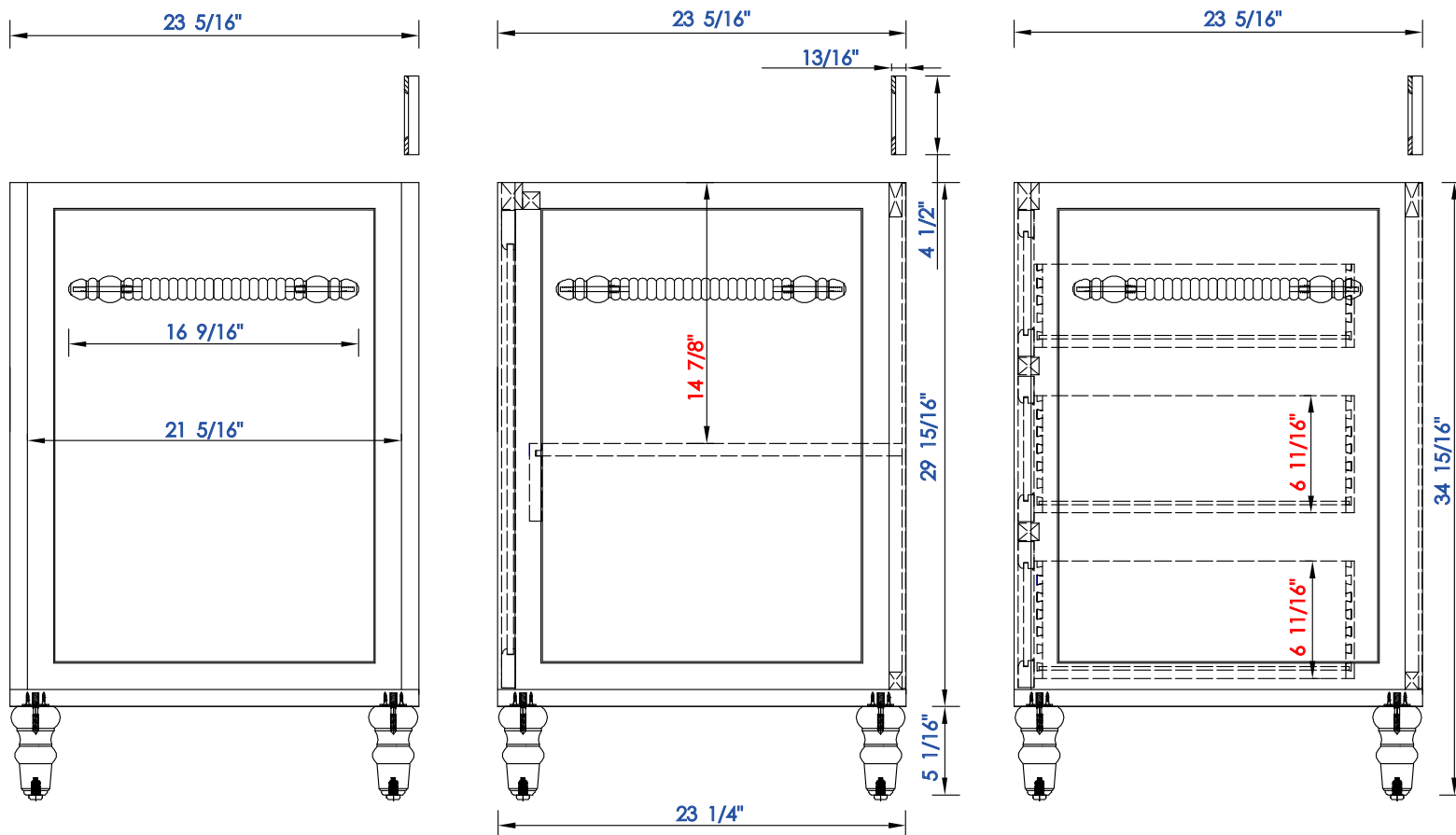
JAMES MARTIN



VANITIES

Copper Cove Encore Drawer Unit  
(V48+DU26+V48)

Diagrams with Dimensions  
page 03 of 03



NOTE ONE: Countertops are not shown in these diagrams. (Cabinet Only)

NOTE TWO: Wood Backsplash (Shown) is designed for the molding detail to align with sinks in James Martin's Optional Countertops.

Customer's own countertops and sinks may align differently, and modification may be required.

Please consult our website for Countertop Diagrams: [www.jamesmartinvanities.com](http://www.jamesmartinvanities.com)

3206 mm

Item Number:

301-V48-BNM/SL  
301-DU26-BNM/SL

JAMES MARTIN

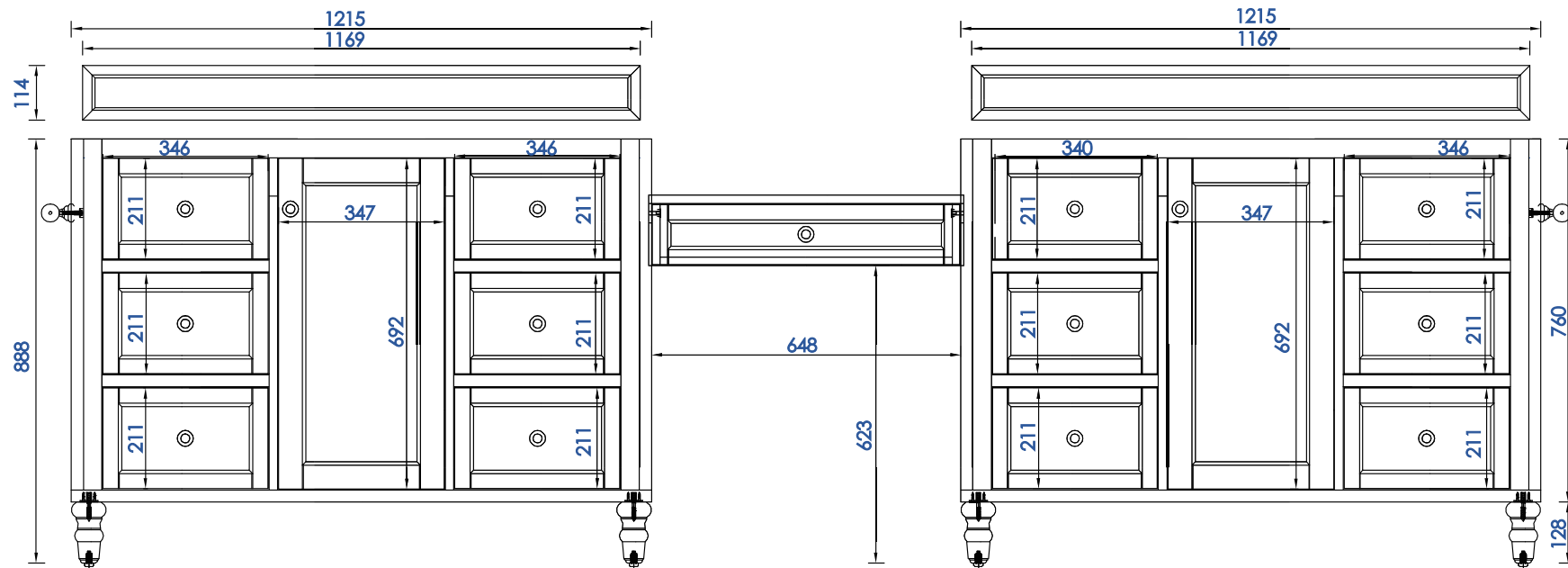


VANITIES

Copper Cove Encore Drawer Unit

(V48+DU26+V48)

Diagrams with Dimensions  
page 01 of 03



NOTE ONE: Countertops are not shown in these diagrams. (Cabinet Only)

NOTE TWO: Wood Backsplash (Shown) is designed for the molding detail to align with sinks in James Martin's Optional Countertops.

Customer's own countertops and sinks may align differently, and modification may be required.

Please consult our website for Countertop Diagrams: [www.jamesmartinvanities.com](http://www.jamesmartinvanities.com)

3206 mm

Item Number:

301-V48-BNM/SL  
301-DU26-BNM/SL

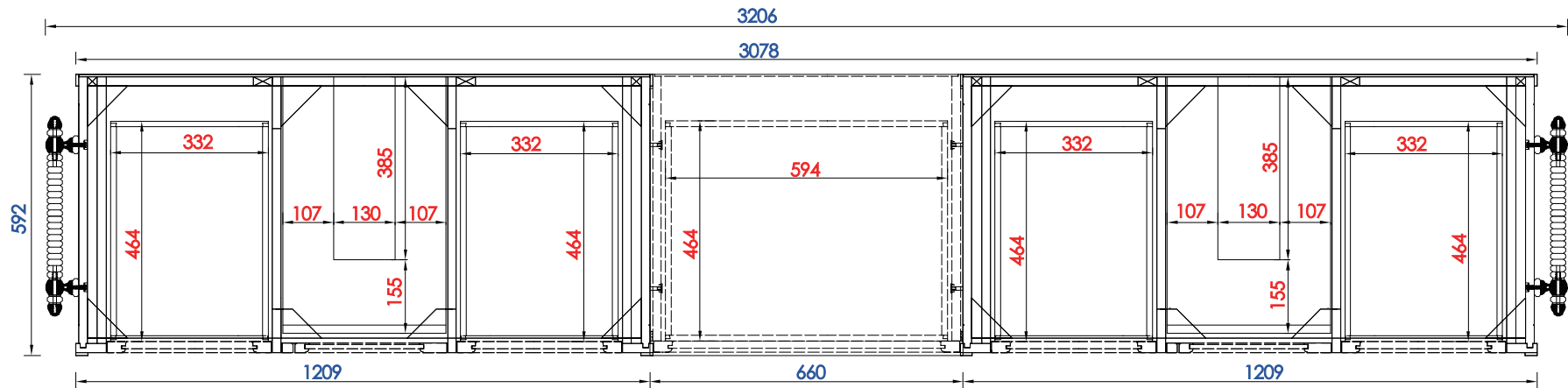
JAMES MARTIN



VANITIES

**Copper Cove Encore Drawer Unit  
(V48+DU26+V48)**

Diagrams with Dimensions  
page 02 of 03



NOTE ONE: Countertops are not shown in these diagrams. (Cabinet Only)

NOTE TWO: Internal Shelves(Shown) are designed to align with sinks in James Martin's Optional Countertops.

Customer's own countertops and sink may align differently, and modification may be required.

Please consult our website for Countertop Diagrams: [www.jamesmartinvanities.com](http://www.jamesmartinvanities.com)

3206 mm

Item Number:

301-V48-BNM/SL  
301-DU26-BNM/SL

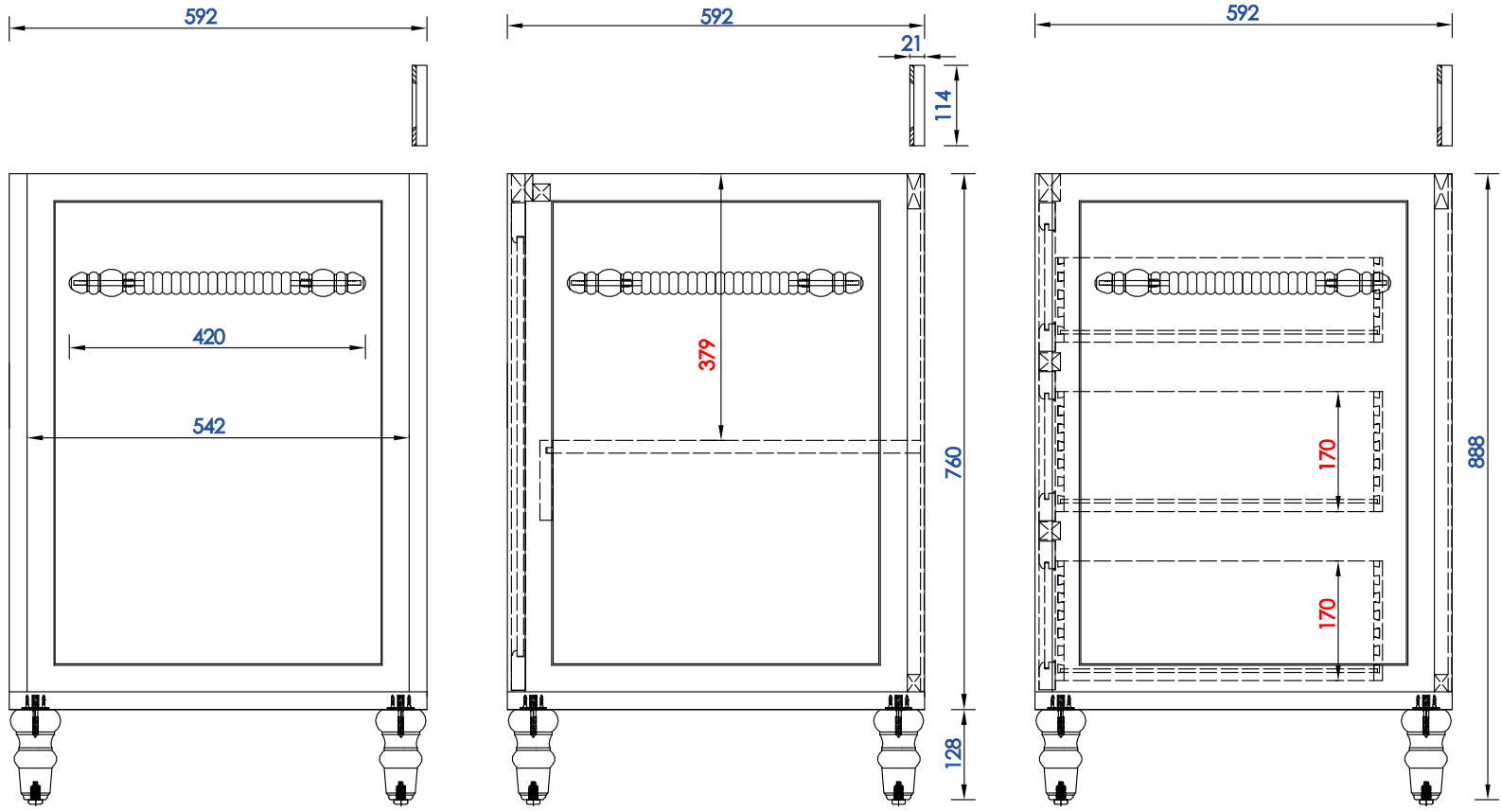
JAMES MARTIN



VANITIES

Copper Cove Encore Drawer Unit  
(V48+DU26+V48)

Diagrams with Dimensions  
page 03 of 03



NOTE ONE: Countertops are not shown in these diagrams. (Cabinet Only)

NOTE TWO: Wood Backsplash (Shown) is designed for the molding detail to align with sinks in James Martin's Optional Countertops. Customer's own countertops and sinks may align differently, and modification may be required. Please consult our website for Countertop Diagrams: [www.jamesmartinvanities.com](http://www.jamesmartinvanities.com)