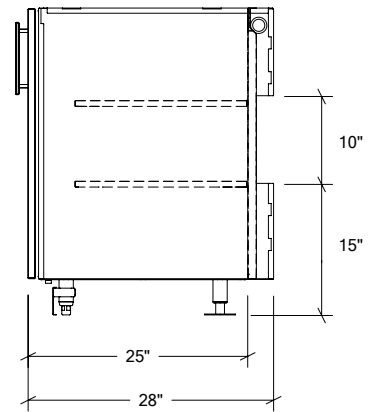
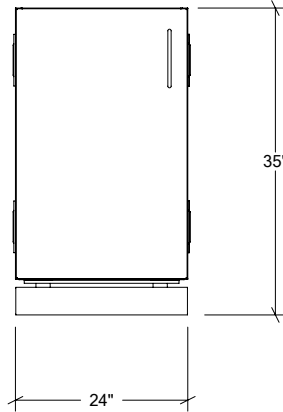


OUTDOOR KITCHEN CABINETS IN STAINLESS STEEL

HROK-ST1D-800071 | PURE

24" Storage Cabinet 1 door
left hinges



Specifications

Collection:	PURE
Width:	24"
Depth:	28"
Material:	Stainless Steel 304
Thickness:	18 ga
Finish:	Brushed
Nbr doors / drawers	1
Hinges Position:	Left
Handle:	Standard
Installation:	Between Cabinets
Packing dimensions:	28 1/4" x 32 1/4" x 37 3/8"

Recommended accessories

3" Multifunction tray long	HROK-ACC-805002
7" Multifunction tray long	HROK-ACC-805003
3" Multifunction tray short	HROK-ACC-805004
Bottle Holder	HROK-ACC-805006

Warranty

Home Refinements offers a LIMITED LIFETIME WARRANTY on the fixed components of its stainless steel cabinets as well as a 2-YEARS LIMITED WARRANTY for all mobile parts and hardware (Hinges, slides, locks) against defects of material and workmanship all of which is applied following the purchase date. This warranty is limited to defects or damages resulting from a normal residential use. For further details on our product warranty, please refer to our catalog or Web site.

Features

- Cabinet from the PURE collection characterized by a uniform and refined facade with a fine stainless steel handle (option: black granite handle)
- Spacious storage for various equipment and tools
- Self-standing cabinets that can be installed in island (option: closed back), backed to a wall or recessed
- Modular system gives the flexibility to create the ideal outdoor kitchen
- Simplified clip system for cabinet assembly
- Weather resistant cabinet due to efficient rubber gasket system on doors
- Soft-close hardware for soft and quiet closing of cabinets
- Lock available as an option to secure the contents of cabinets and ensure a foolproof closure
- Ambient lighting integrated at toe-kick optional
- Distinct cabinets functional space and services space (plumbing, electricity, gas, ...) thanks to the double-back construction
- Easy installation of your choice of countertop thanks to the solid top of the cabinets (work surface not included)
- Elegant brushed finish
- Included with cabinet: slim adjustable shelves (2), clip-on toe-kick
- Easy maintenance thanks to sanitary standards inspired design without hard to reach corners
- Superior corrosion resistance: Grade 304 stainless steel (18/10) (option: grade 316 (recommended for salt environment))
- Soundproofing / insulation of front doors and panels reducing sound at closing
- Thin side structure results in optimized clear opening width
- Adjustable stainless steel feet, 2 of which allow anchoring on the ground
- Delivered fully assembled
- Made by hand in Canada

Available options

