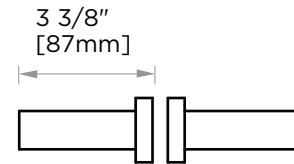
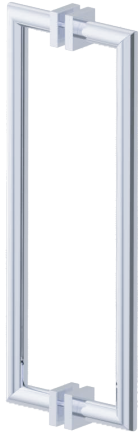


MADRID COLLECTION
DOUBLE SHOWER
DOOR HANDLE 18"
2627818



PRODUCT NAME: DOUBLE SHOWER
DOOR HANDLE 18"

PRODUCT CODE: 2627818

MATERIAL: All-brass construction

KEY FEATURES: Contemporary design.
Simple and straight forward
lines. Strong linear silhouette.

STOCKED FINISHES:

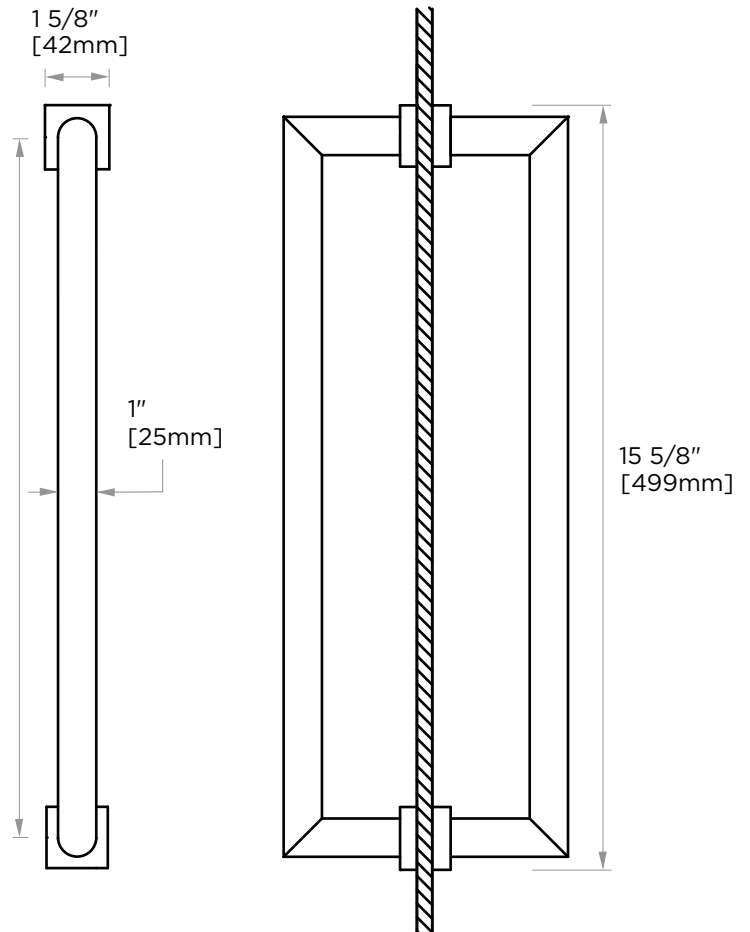
- Polished Chrome (99)
- Brushed Nickel (81)
- Polished Nickel (68)
- Matte Black (48)

18"
[457mm]

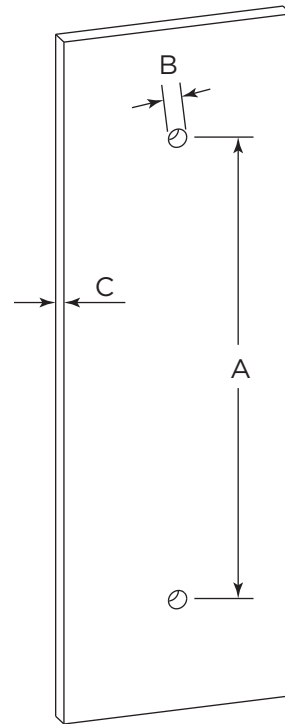
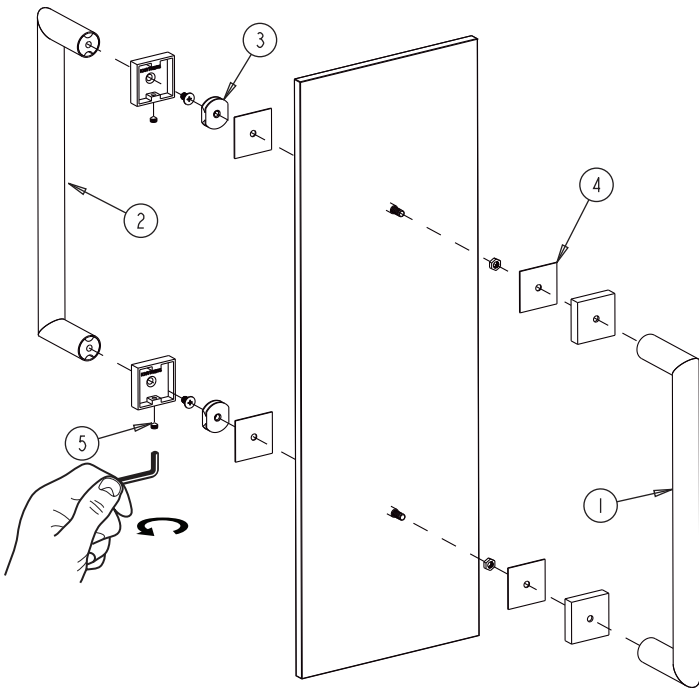
SPECIAL FINISHES AVAILABLE: 26 options available.
Please see our website for
full list samples

WARRANTY:

Lifetime Limited (Residential Use)
One Year (Commercial Use)




NOTE: Dimensions and specifications are subject to change without notice.



HANDLES INFO

| Components Included | | |
|---------------------|----------------|----|
| ① | Handle A | X1 |
| ② | Handle B | X1 |
| ③ | Fixing Bracket | X2 |
| ④ | Rubber Gasket | X4 |
| ⑤ | Set Screw M6 | X2 |

Mounting Kits Included

| | | |
|---|----|-----------|
|  | X1 | Allen Key |
|---|----|-----------|

GLASS INFO

| Glass Hole C-C Distance | | |
|-------------------------|------------|------------------------|
| A | 8"/203mm | 8" Shower Door Handle |
| | 12"/305mm | 12" Shower Door Handle |
| | 18"/457mm | 18" Shower Door Handle |
| | 24"/610mm | 24" Shower Door Handle |
| B | 1/2"(12mm) | Glass Hole Diameter |
| C | 8-12mm | Glass Thickness |

* Can be used with extension kit for thicker doors

NOTE: Dimensions and specifications are subject to change without notice.