

SHOWER NICHE

12"x24" TILE READY SHOWER NICHE HORIZONTAL

KSN-TR1224

PRODUCT NAME: 12"x24" Tile Ready Shower Niche Horizontal

PRODUCT CODE: KSN-TR1224

MATERIAL: 1.2mm Stainless Steel 304
20mm Flange

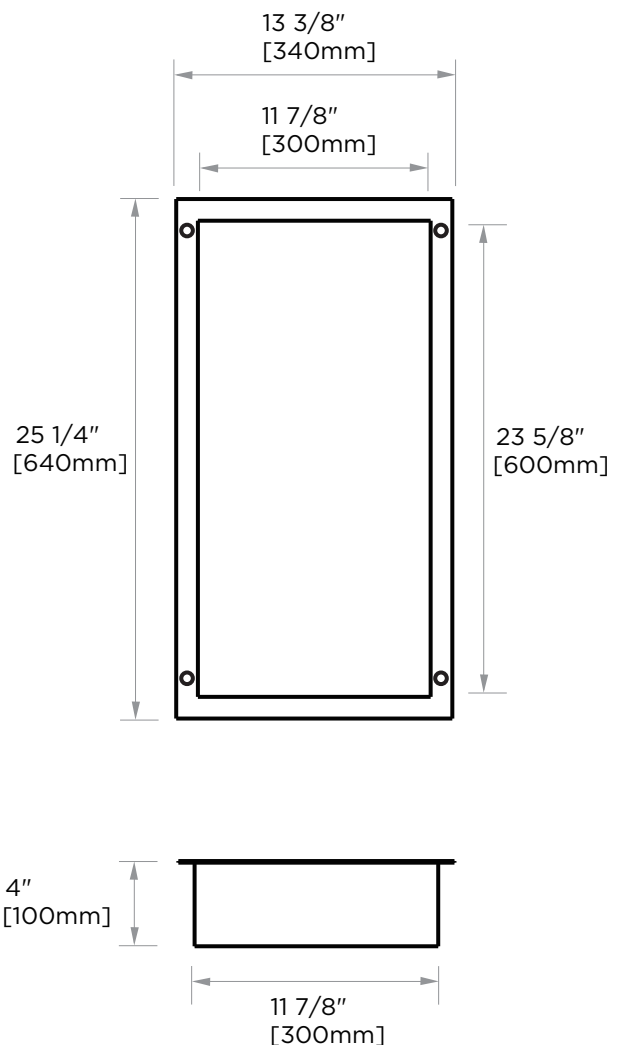
KEY FEATURES: Modern Styling
Durable Finishes
Concealed Installation

AVAILABLE FINISHES:

- Brushed Stainless Steel (BSS)
- Matte Black (48)
- Matte White (26)
- Brushed Brass (78)

WARRANTY:

Lifetime Limited (Residential Use)
One Year (Commercial Use)



NOTE: Dimensions and specifications are subject to change without notice.