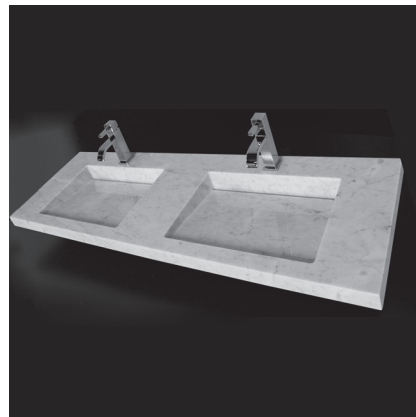


LIBERA Lavatory Item #5302

Features:

- Stone double-bowl lavatory without overflow
- Wall-mount or vanity top installation
- Faucet holes diameter is 1 3/8"
- Concealed integrated drains are included
- Requires s. steel brackets # 5302-BR for wall-mount installation without vanity
- Can be installed to meet ADA compliance



Recommended Accessories:

- Item #5302-BR: Wall-mount stainless steel bracket frame. It is not needed if lavatory is installed on a vanity.
- Item #5302C: Wall-mount undercounter vanity
 - LED lights
 - Flip-open doors with polished chrome pulls
- Item #5302L: Floor-standing stainless steel console stand
 - It must be attached to a wall

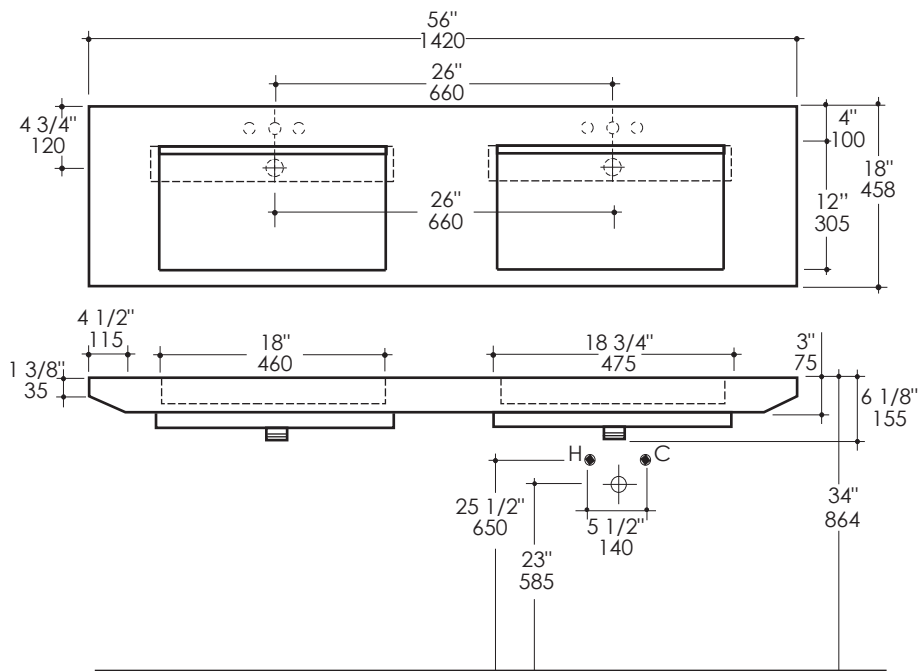
Product Specifications:

Finish Options:

- NM - Marquina
- WH - Bianco

Faucet Hole Options:

- 00 - None
- 01 - One
- 02 - Two - center and right over each drain
- 03 - Three in 8" spread over each drain



Notes:

Drawings provided herein are meant to give the user an idea of the product and are not made to scale. The size in inches is rounded up to the nearest 1/16". Slight variances can often occur with porcelain and woodwork. Therefore, LACAVA will not be held responsible for any cutouts, countertops, or furniture made without the actual product or template from LACAVA. Differences in color, grain, appearance and texture are inherent in all natural woodwork, and should be expected. Variances in these qualities are not deemed manufacturing defects, and will not be accepted as valid reasons to return or exchange any LACAVA woodwork. Plumbing specifications are only a guideline and may need to be altered based on the application.

Product specifications are not binding to the manufacturer and can be changed without notice at any time. Please refer to your shipment for product final sizes.

LACAVA is committed to the highest level of customer service. Please feel free to contact us at 1-888-522-2823 (toll free) or by email at info@lacava.com for technical assistance or any general inquiries.

Rev. 9-1-2017