

Estate-20 Linen Cabinet

Specification & Installation Guide

Features

- Free standing linen cabinet 76" (1930mm)H x 18"(458mm)D x 20"(508mm)W
- Furniture grade plywood layered with solid wood veneer and protected with several coats of polyurethane.
- Matching finish inside and out.
- Top cabinet section:
 - One door with soft-close hinges. Available left (L001) or right (R001) hinged.
 - Two adjustable wooden shelves
 - One interior drawer with full extension soft-close hardware
- Bottom cabinet section: Three drawers with full extension soft-close hardware.
- Feet options: 4 L-feet, 2 S-feet or 1 C-base.
- Handle/Inlay finish options: polished chrome (PC), brushed nickel (BN), polished nickel (PN), matte black (MB) and satin brass (SB).
- Cabinet furnished assembled. Feet/Bases shipped separately.

Package dimension

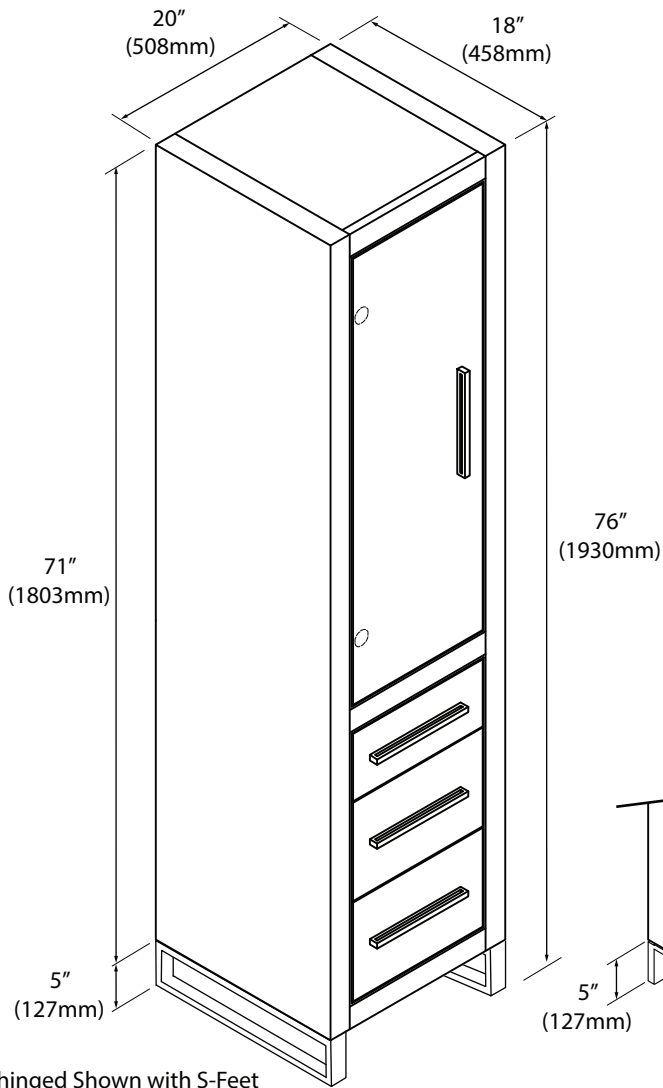
23" x 21" x 73"

Gross weight

154 lbs / 70 kgs

Finishes

- Brandy (BR)
- Matte White (MW)
- Sapphire (SA)
- Studio Grey (TG)



Left-hinged Shown with C-Base

Left-hinged Shown with S-Feet

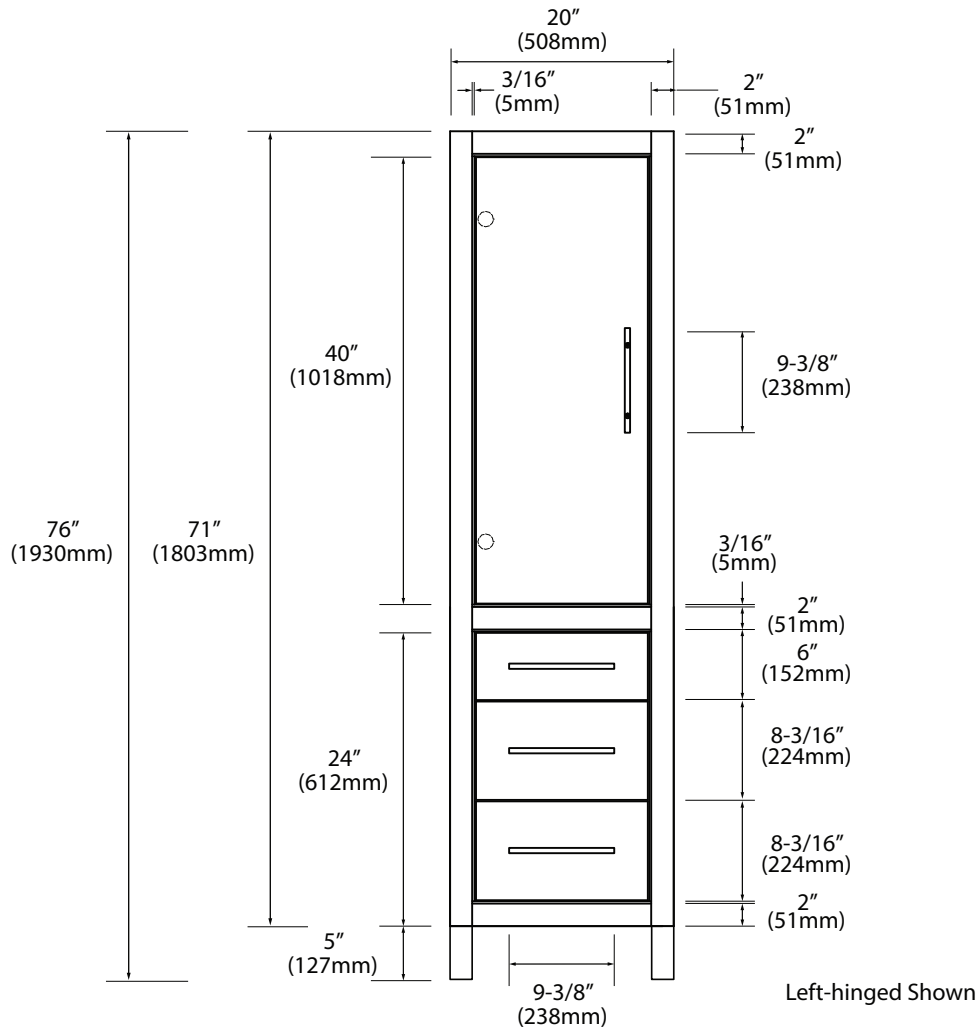
L-Feet

C-Base

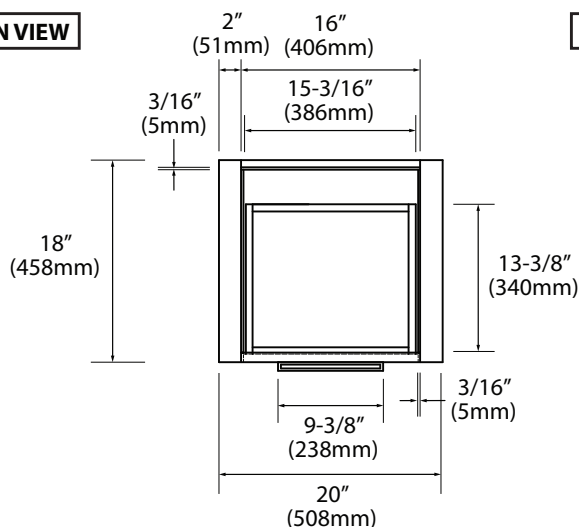
Estate-20 Linen Cabinet

Specification & Installation Guide

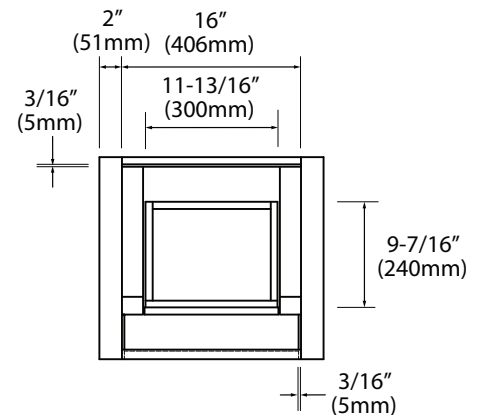
FRONT VIEW



TOP SECTION VIEW



BOTTOM SECTION VIEW



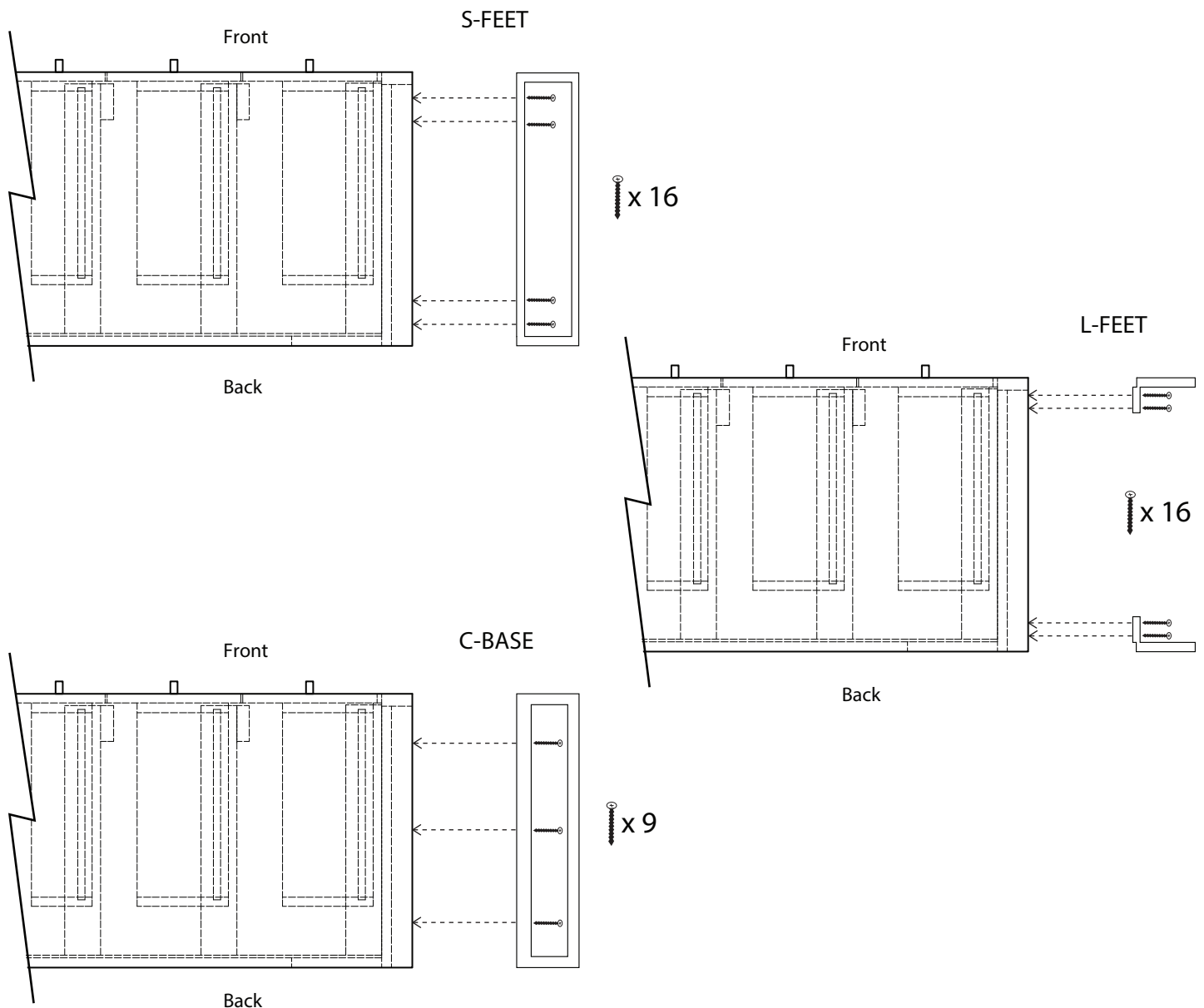
For clarification, please contact Madeli Customer Care at (800)-819-6988 or (305)-718-8817 Ext. 1 or service@madeli.com
 All dimensions are approximate and subject to standard tolerance. Specifications subject to change without prior notice.

Estate-20 Linen Cabinet

Specification & Installation Guide

FEET & BASE INSTALLATION

1. Lay the cabinet on its back
2. Place feet in indicated positions
3. Mark screw locations
4. Pre-drill holes with 5/64, 3/32 or 7/64 drill bit about 1 1/2" deep
5. **DO NOT OVER TIGHTEN THE SCREWS. DOING SO WILL SPLIT THE WOOD SIDE PANEL**
6. If using a regular battery drill, set clutch to minimum and increase setting as needed
7. **DO NOT USE AN IMPACT DRILL. IT WILL SPLIT THE WOOD SIDE PANEL**

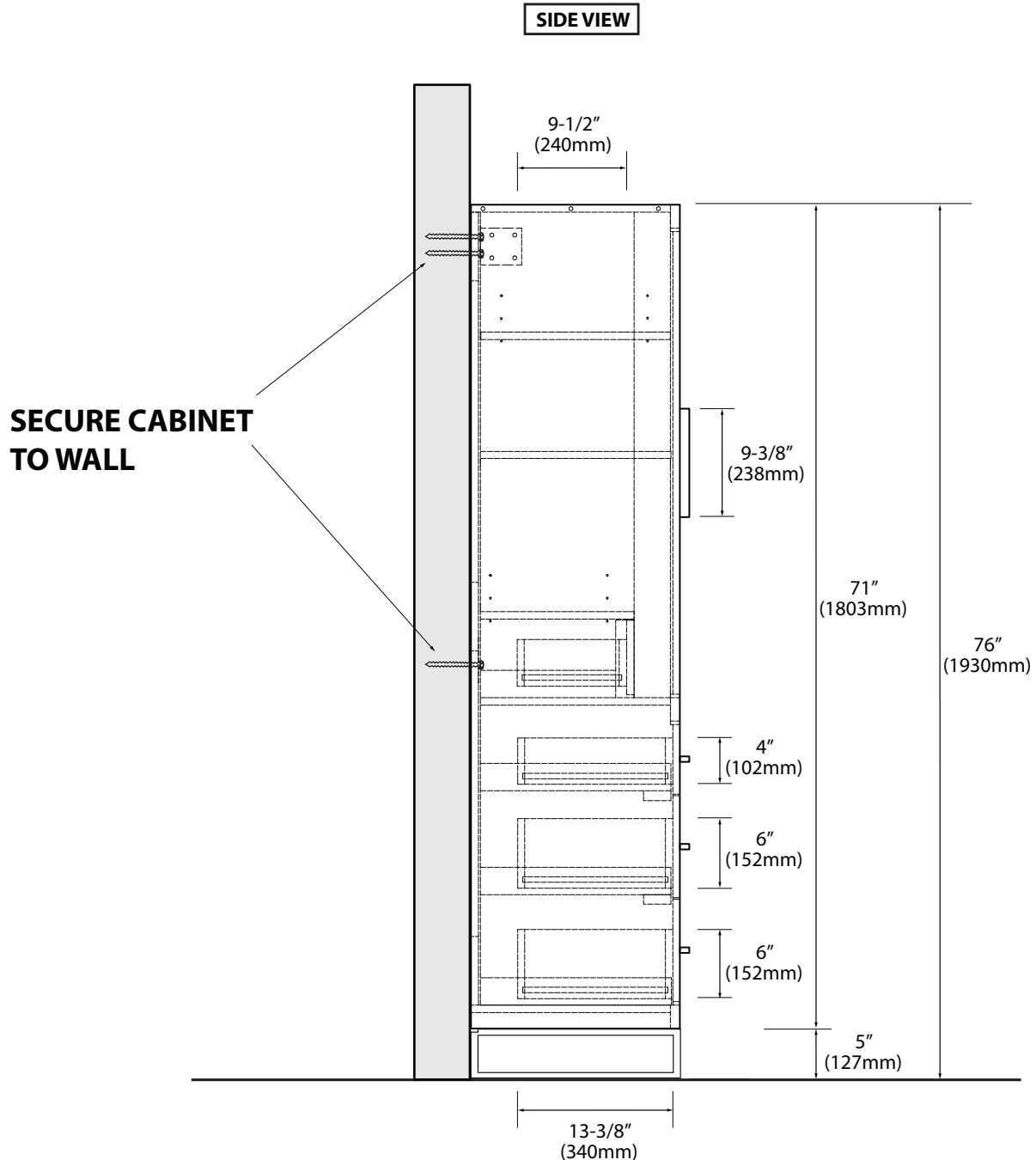


Estate-20 Linen Cabinet

Specification & Installation Guide

CABINET PLACEMENT & INSTALLATION

- 1) Level cabinet in position
- 2) Secure cabinet with screws in drywall studs



For clarification, please contact Madeli Customer Care at (800)-819-6988 or (305)-718-8817 Ext. 1 or service@madeli.com
 All dimensions are approximate and subject to standard tolerance. Specifications subject to change without prior notice.