

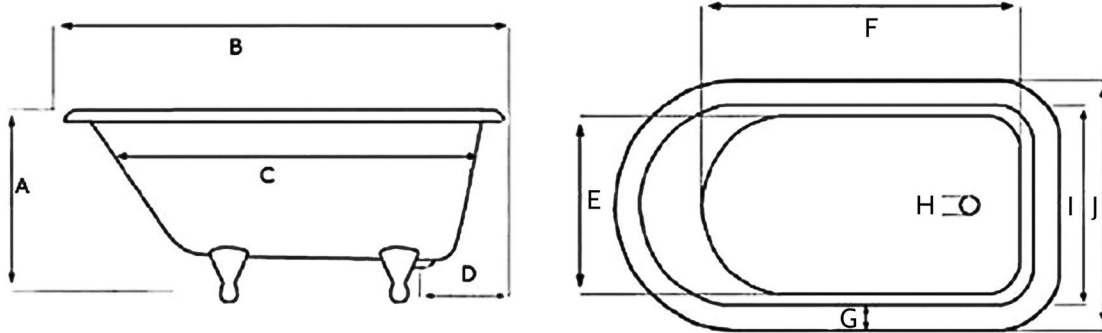


MAIDSTONE

www.MaidstoneSupply.com

Classic Roll Top

Part No:1202CL



DIMENSIONS (INCHES)

| | A | B | C | D | E | F | G | H | I | J |
|----|----|--------------------------------|--------------------------------|----|--------------------------------|--------------------------------|-------------------------------|-------------------------------|--------------------------------|----|
| 54 | 25 | 53 ¹ / ₄ | 42 ¹ / ₂ | 12 | 14 ¹ / ₂ | 30 | 2 ³ / ₄ | 2 ¹ / ₅ | 23 ¹ / ₂ | 29 |
| 57 | 25 | 57 ⁷ / ₈ | 45 ³ / ₈ | 12 | 14 ¹ / ₂ | 32 ¹ / ₂ | 2 ³ / ₄ | 2 ¹ / ₅ | 23 ¹ / ₂ | 29 |
| 60 | 25 | 59 | 49 ¹ / ₂ | 12 | 14 ¹ / ₂ | 35 ¹ / ₂ | 2 ³ / ₄ | 2 ¹ / ₅ | 23 ¹ / ₂ | 29 |
| 70 | 25 | 69 ³ / ₄ | 59 | 12 | 16 ¹ / ₂ | 44 ¹ / ₄ | 2 ³ / ₄ | 2 ¹ / ₅ | 26 | 31 |

DECK OR
NO FAUCET DRILLINGS WALL FAUCET DRILLINGS

| | 54 | 57 | 60 | 70 | 54 | 57 | 60 | 70 |
|------------------|-----|-----|-----|-----|-----|-----|-----|-----|
| EMPTY (LB) | 71 | 71 | 73 | 79 | 71 | 71 | 73 | 79 |
| FILLED (LB) | 421 | 430 | 465 | 505 | 396 | 405 | 432 | 463 |
| CAPACITY (GAL) | 42 | 43 | 47 | 51 | 39 | 40 | 43 | 46 |
| WATER DEPTH (IN) | 13 | 13 | 13 | 13 | 13 | 13 | 13 | 13 |

Approximate Measurements

Contact Maidstone for additional information and specifications. For complete warranty information and a list of dealers visit www.MaidstoneSupply.com. All products and specifications are subject to change without notice. Maidstone is not responsible for typographical and/or dimensional errors. Typographical errors are subject to correction.

Note: Rough-in dimensions may vary +/- 1/2" and are subject to change. No responsibility is assumed by Maidstone.