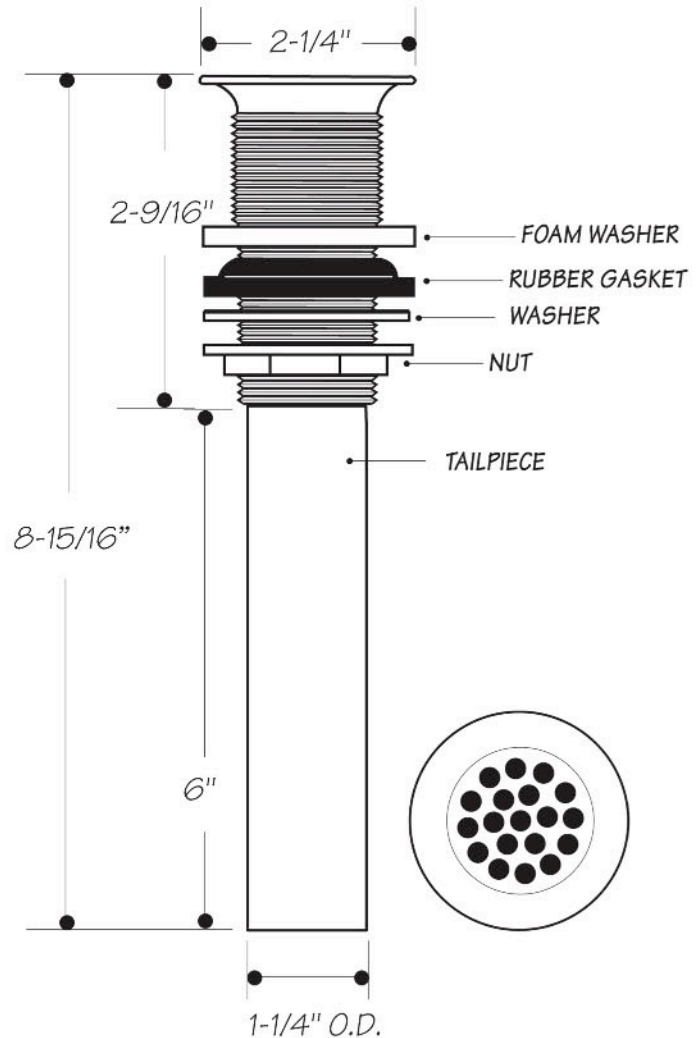


#### INSTALLATION DIMENSIONS

***This model offers you the following features & benefits:***

- Drain Body & Tailpiece completely plated
- Two piece lavatory drain
- 2" maximum sink thickness
- Drain openings of 1-1/2"
- 19-Hole Grid drain that can be used with MT1000 Decorative bottle trap
- Available in 20 finishes
  - CPB - Polished Chrome
  - SC - Satin Chrome
  - PN - Polished Nickel
  - PEW - Pewter
  - BRN - Brushed Nickel
  - AB - Antique Brass
  - SB - Satin Brass
  - PVD - Polished Brass
  - WB - Weathered Brass
  - WCP - Weathered Copper
  - ACP - Antique Copper
  - PCP - Polished Copper
  - ORB - Oil Rubbed Bronze
  - PVDBB - PVD Brushed Bronze
  - VB - Venetian Bronze\*
  - TB - Tuscan Brass
  - MB - Matte Black
  - FG - French Gold
  - GPB - Polished Gold
  - SG - Satin Gold
- ASME A1121.18.2 and CSA B125-1 Certified



#### Warranty

- \*ALL MOUNTAIN PRODUCTS CARRY A 1 YEAR WARRANTY ON ALL WORKING PARTS.(except disposers)
- \*MOST SPECIAL FINISHES HAVE A 1 YEAR WARRANTY IF INSTRUCTIONS ARE FOLLOWED PROPERLY. ORB, EB, MHB, WCP, AND TB HAVE A 90 DAY WARRANTY IF INSTRUCTIONS ARE FOLLOWED PROPERLY.
- \*ALL PVD FINISHES COME WITH A LIFETIME WARRANTY IF INSTRUCTIONS ARE FOLLOWED PROPERLY
- \*ALL XENYO COLORED PRODUCTS HAVE A LIFETIME WARRANTY
- \*USE OF PLUMBERS PUTTY ON PRODUCTS VOIDS WARRANTY

Specifications subject to change without notice.