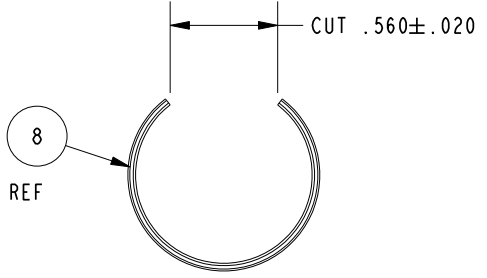


NOTES:

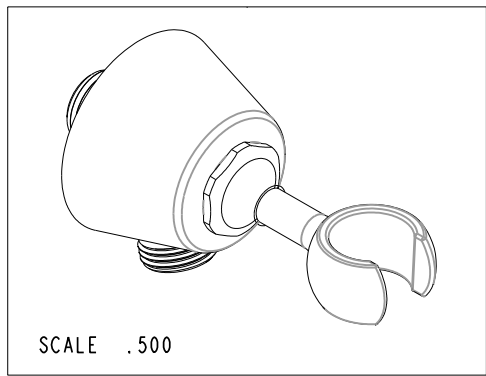
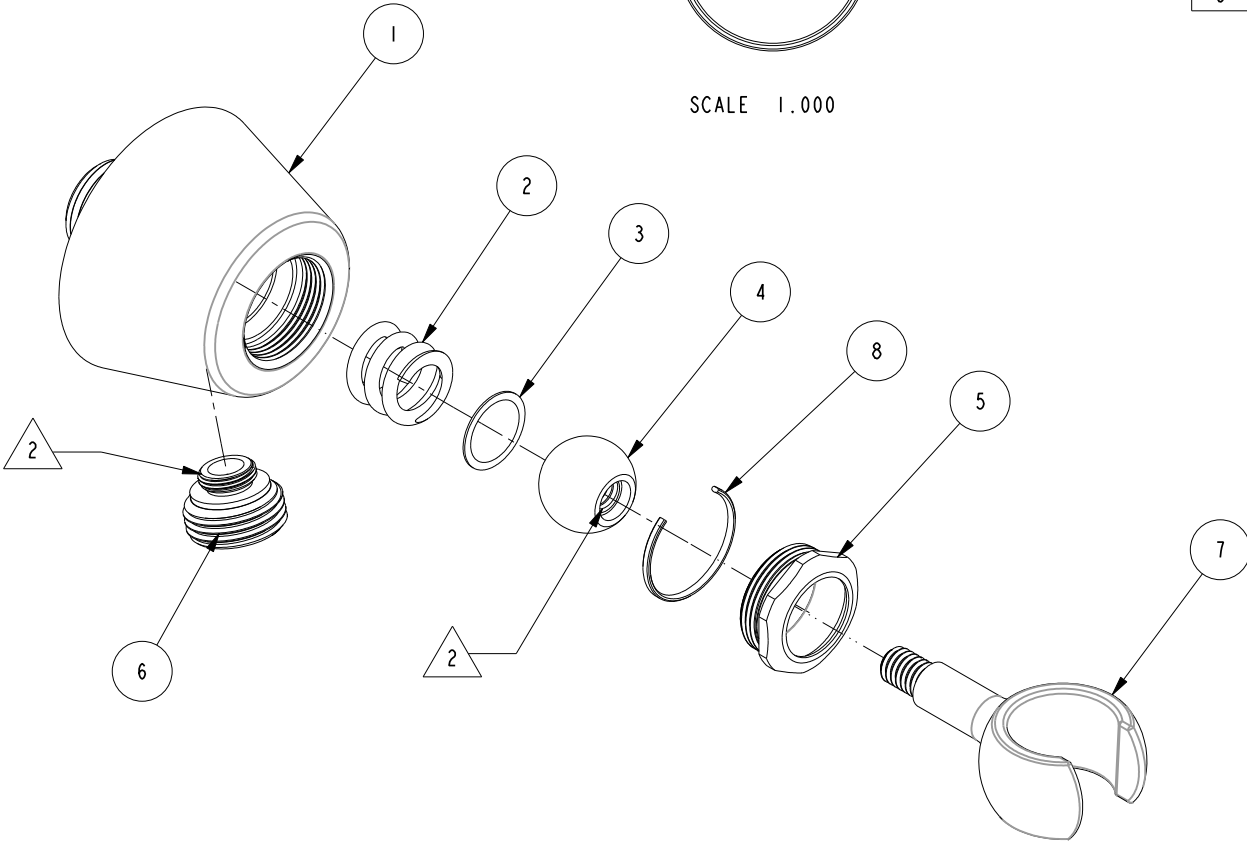
1. FIT / FORM / FUNCTION SHALL FOLLOW PS-E.008.

2 APPLY LOCTITE 680.



SCALE 1.000

| BILL OF MATERIAL (CURRENT LEVEL) | | | | |
|----------------------------------|-----------|---|------|------|
| ITEM | PT/ASSY | DESCRIPTION | TYPE | QTY. |
| 1 | 50302 | BODY | PART | 1 |
| 2 | 50300 | SPRING - 5/8" | PART | 1 |
| 3 | 50301 | WSHR, .683 OD X .019 THK, FLARED, STEEL | PART | 1 |
| 4 | 50298 | PIVOT BALL | PART | 1 |
| 5 | 50299 | COLLAR NUT | PART | 1 |
| 6 | 50290 | MALE ADAPTER | PART | 1 |
| 7 | 12157 | HOLDER - HANDSHOWER | PART | 1 |
| 8 | 91157_CUT | WSHR, .920 ID X 1.0 OD X .066 THK, FLT, NARØN | PART | 1 |



| ZONE | REV | DESCRIPTION | DATE | APPROVED |
|------|-----|-------------|----------|----------|
| - | C | EN-3817 | 02/27/19 | NS |
| - | B | EN-2462b | 02/07/14 | AN |
| - | A | EN-2142 | 04/23/12 | JM |
| - | - | RELEASED | 01/21/11 | V. VU |

COPYRIGHT 2005 BRASSTECH, INC. THESE DRAWINGS AND THE DESIGNS DEPICTED HEREIN ARE THE PROPRIETARY PROPERTY OF BRASSTECH. ANY USE OR REPRODUCTION IS SUBJECT TO THE EXPRESS APPROVAL OF BRASSTECH. UNAUTHORIZED USE IS STRICTLY PROHIBITED. ALL RIGHTS RESERVED.

| TESTING | ASSEMBLY | PLATING | POLISHING | MACHINING | TOOLING FIXTURE # |
|-------------|----------|----------------------------------|-----------|-----------|-------------------|
| - | - | - | - | - | - |
| APPLICATION | | REMOVE ALL BURRS AND SHARP EDGES | | | |

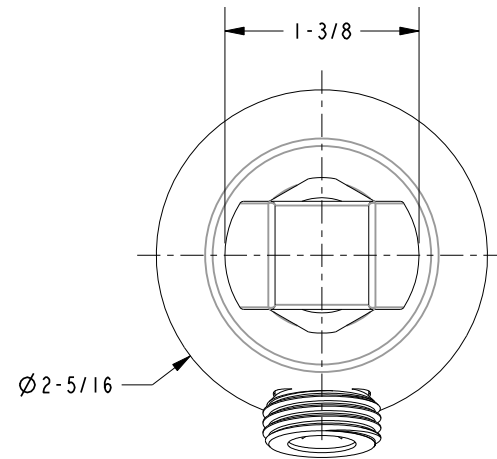
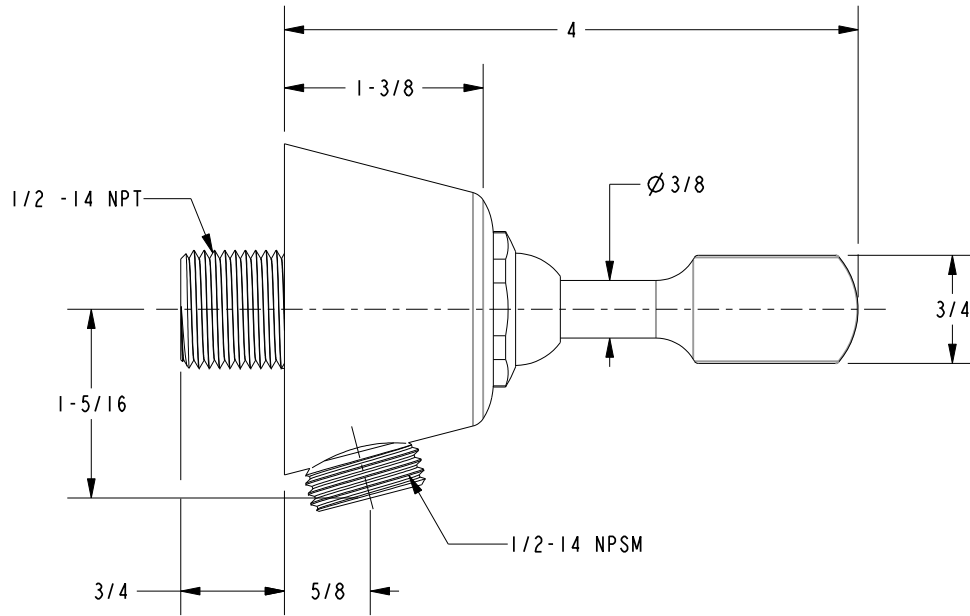
| UNITS ARE: INCHES [MM] | TOLERANCES ARE: | FRACTIONS DECIMALS | ANGLES |
|---|------------------|--------------------|--------|
| ±1/16" | .X ±.1 [2.5] ±1° | .XX ±.06 [1.5] | |
| (X.XXX) DENOTES CRITICAL DIMS. ALL THREADS ARE CRITICAL | | | |
| DRAWN | H. LE | 01/20/11 | |
| CHECKED | V. VU | 01/21/11 | |
| APPROVED | V. VU | 01/21/11 | |

BRASSTECH 2001 CARNEGIE AVE. SANTA ANA, CA 92705 (949) 417-5207
INCORPORATED

SUPPLY OUTLET WITH HOLDER

DWG NO. **288** REV **C**

SCALE .650 REF. - SHEET 1 OF 2



| | | | |
|------------------|--------|--|------|
| BRASSTECH | | 2001 E. CARNEGIE AVE. SANTA ANA, CA 92705 (949) 417-5207 | |
| DWG NO. | 288 | REV | C |
| SCALE .750 | REF. - | SHEET 2 | OF 2 |