

**Features**

- Solid brass construction
- One piece cast spout design
- Base with integral O-ring deck seal
- Enhanced dispensing volume pump
- Removable spout for above deck refilling
- 13 fluid oz. (384 ml) capacity bottle included
- 1-3/4" (4.4 cm) spout height at outlet
- 3-3/4" (9.5 cm) spout reach (c-c)
- Complements Taft Series

**Soap/Lotion Dispenser**  
**2940-5721**

**Also 2-797, 125-8, 125-9**

**Codes / Standards Compliance**

Meets or exceeds the following at date of manufacture:

- All applicable US Federal and State material regulations

**Colors / Finishes**

- 10B: Oil Rubbed Bronze
- 15: Polished Nickel
- 15S: Satin Nickel - PVD
- 26: Polished Chrome
- Other: Refer to the Newport Brass catalog for additional color/finish options.



**Specified Model**

Model	Description	Colors   Finishes
2940-5721	Soap/Lotion Dispenser	<input type="checkbox"/> 10B <input type="checkbox"/> 15 <input type="checkbox"/> 15S <input type="checkbox"/> 26 <input type="checkbox"/> Other
2-797	Soap / Lotion Replacement Pump Head	<input type="checkbox"/> 10B <input type="checkbox"/> 15 <input type="checkbox"/> 15S <input type="checkbox"/> 26 <input type="checkbox"/> Other
125-8	Soap / Lotion Replacement Pump	<input type="checkbox"/> NA
125-9	Soap / Lotion Replacement Bottle	<input type="checkbox"/> NA

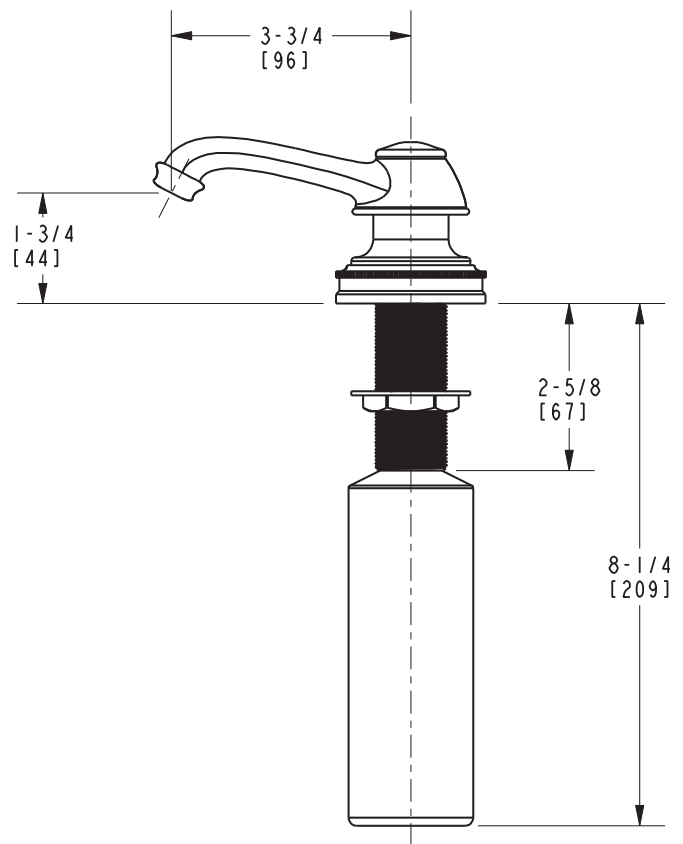
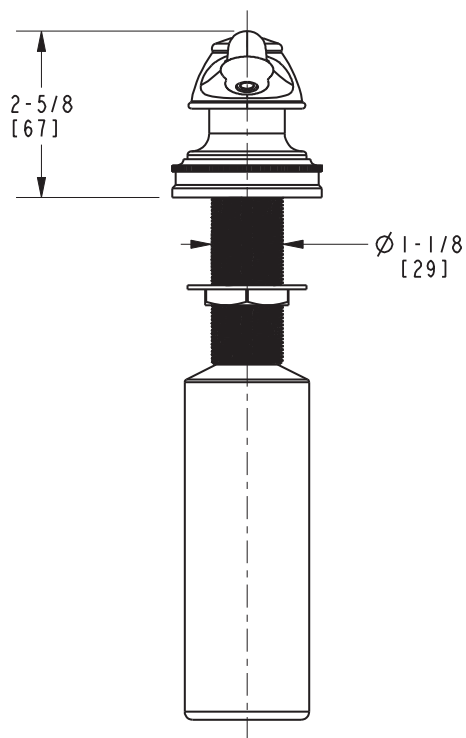
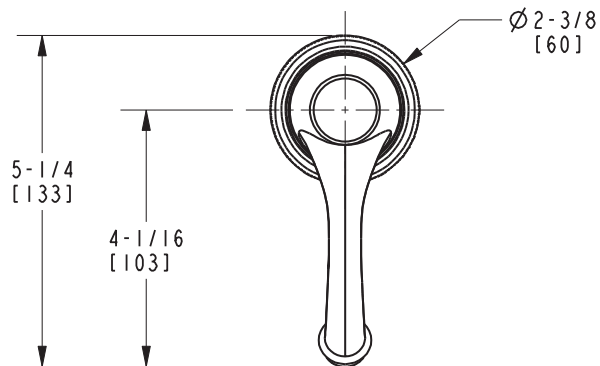
\* Note: Requires 1-1/4" to 1-11/16" through hole. Accommodates 2-1/4" maximum deck thickness.

**Product Specification** Add "Color / Finish" suffix to Model number, below.

The Soap / Lotion Dispenser shall be made of solid brass construction. Dispenser shall incorporate a removable top spout assembly for easy refilling access. Dispenser shall incorporate a refillable 13 fluid ounce (384 ml) capacity container. Product shall incorporate a 1-3/4" (4.4 cm) spout height at outlet and a 3-3/4" (9.5 cm) spout reach (c-c). Soap / Lotion Dispenser shall be Newport Brass Model 2940-5721/\_\_\_\_\_.

# 2940-5721

## PRODUCT DIMENSIONS *(Units are in inches)*



**Taft Soap/Lotion Dispenser**  
**2940-5721**

**NEWPORT BRASS**  
Flawless Beauty. From Faucet to Finish.™