

# JOFFREY

## Features

- Solid brass construction
- Face plate with ADA compliant traditional lever handle
- ADA compliant traditional lever handle assembly for control valve
- Intended for use with Newport Brass rough valve(s) as specified (Required Accessory)

**Tub or Shower Trim  
(less tub spout, showerhead, arm & flange)**

# 4-2574BP

Also 20-113

## Codes / Standards Compliance

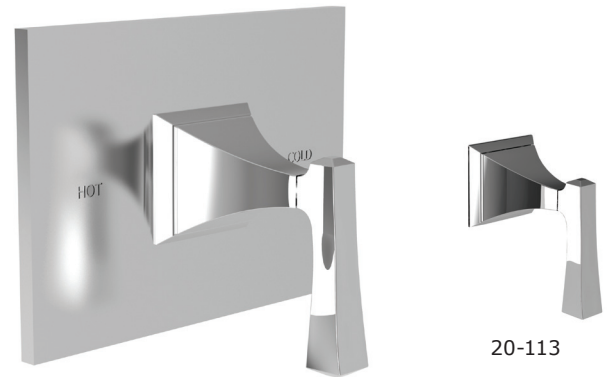
Meets or exceeds the following at date of manufacture:

- ASME A112.18.1/CSA B125.1
- IAPMO/cUPC
- IPC
- ADA
- ICC/ANSI A117.1
- ASSE 1016
- All applicable US Federal and State material regulations



## Colors / Finishes

- 10B: Oil Rubbed Bronze
- 15: Polished Nickel
- 15S: Satin Nickel - PVD
- 26: Polished Chrome
- Other: Refer to the Newport Brass catalog for additional color/finish options.



## Specified Model

Model	Description	Colors   Finishes				
4-2574BP	Tub and Shower Trim (Less tub spout, showerhead, arm & flange)	<input type="checkbox"/> 10B	<input type="checkbox"/> 15	<input type="checkbox"/> 15S	<input type="checkbox"/> 26	<input type="checkbox"/> Other
20-113	Diverter/Flow Control Trim	<input type="checkbox"/> 10B	<input type="checkbox"/> 15	<input type="checkbox"/> 15S	<input type="checkbox"/> 26	<input type="checkbox"/> Other

## Required Accessory

Application	Shower (or Tub) Valve (Choose One)		Control Valve (Optional)
	Balance Pressure (BP)	Balance Pressure (BP)	Diverter (3/4 Port)
Inlet/Outlet Size	1/2"	1/2"	1/2"
Part Number	1-594	1-684	1-617
Image			

## Product Specification Add "Color / Finish" suffix to Model number, below.

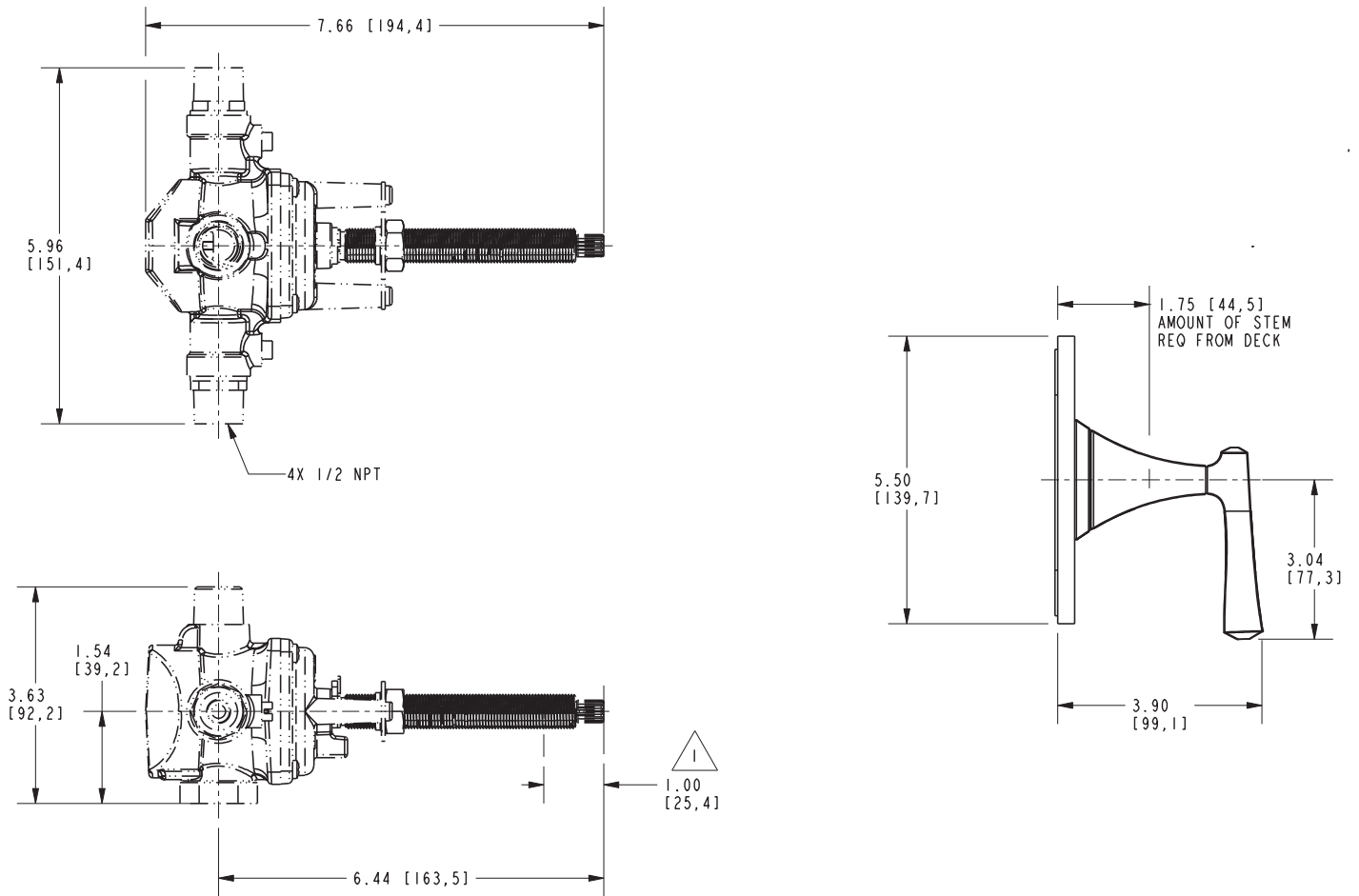
The single-control Tub and Shower Trim (less tub spout, showerhead, arm & flange) shall be made of solid brass construction. Tub or Shower Trim shall include faceplate with ADA compliant handle. Shower System Control Valve Trim(s) (Escutcheon/Handle) shall be ADA compliant when used with specified Shower System Control Valve. Tub or Shower Trim (less tub spout or showerhead, arm & flange) shall be Newport Brass Model 4-2574BP/\_\_\_\_ and single-control Tub or Shower rough valve shall be Newport Brass Model 1\_\_\_\_. [Optional Shower System Control Valve Trim (Escutcheon/Handle) shall be 20-113/\_\_\_\_ and Shower System Control Valve shall be 1-617].

# 4-2574BP

## PRODUCT DIMENSIONS *(Units are in inches)*

NOTES:

1. CUT ALL-THREAD 1" SHORTER THAN STEM.



### Joffrey Tub or Shower Trim 4-2574BP