

**Features**

- Solid brass construction
- Contemporary styling
- Multi-function engine with 3 spray modes
- Rubber nozzles facilitate easy cleaning
- Incorporates twin back-check valves
- 1/2" NPSM inlet fitting
- 4" (10.2 cm) showerhead diameter
- 1.8 gallons (6.7 liters) per minute maximum flow rate showerhead

**Handshower**  
**283-3**



**Codes / Standards Compliance**

Meets or exceeds the following at date of manufacture:

- ASME A112.18.1/CSA B125.1
- IAPMO/cUPC
- IPC
- Energy Policy Act of 1992
- EPA Watersense
- All applicable US Federal and State material regulations

**Colors / Finishes**

- 10B: Oil Rubbed Bronze
- 15: Polished Nickel
- 15S: Satin Nickel - PVD
- 26: Polished Chrome
- Other: Refer to the Newport Brass catalog for additional color/finish options.

**Specified Model**

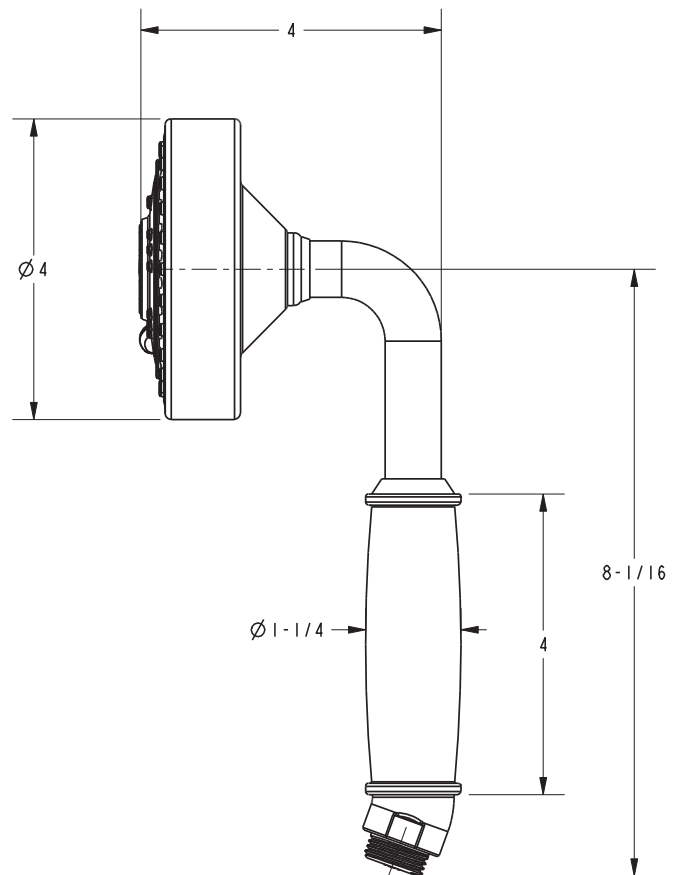
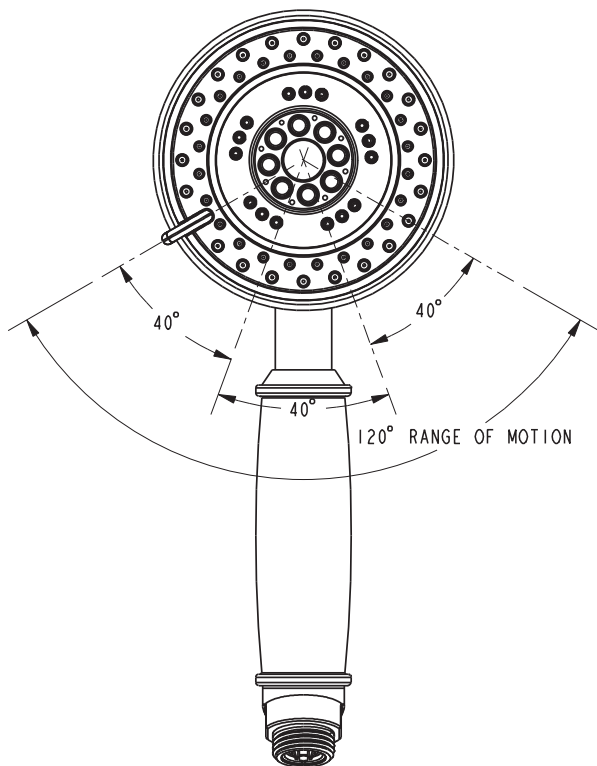
Model	Description	Colors   Finishes
283-3	Handshower	<input type="checkbox"/> 10B <input type="checkbox"/> 15 <input type="checkbox"/> 15S <input type="checkbox"/> 26 <input type="checkbox"/> Other

**Product Specification:** Add "Color / Finish" suffix to Model number, below.

The Handshower shall be of solid brass construction while incorporating a non-metallic handshower engine. Handshower shall have a multi-function shower engine with 3 spray modes incorporating rubber nozzles to facilitate easy cleaning. Handshower shall incorporate twin back-check valves within the handle. Handshower shall have a 1/2" NPSM inlet fitting and 4" (10.2 cm) showerhead diameter while operating at 1.8 gallons (6.7 liters) per minute maximum flow rate. Handshower shall be Newport Brass Model 283-3/\_\_\_.

# 283-3

## PRODUCT DIMENSIONS *(Units are in inches)*



**Newport Bath Handshower**  
**283-3**

**NEWPORT BRASS**  
Flawless Beauty. From Faucet to Finish.™