

Tub or Shower Trim
4-3334BP

Also 3-722

Features

- Solid brass construction
- Face plate with ADA compliant contemporary cross handle
- ADA compliant contemporary cross handle assembly for control valve
- Intended for use with Newport Brass rough valve(s) as specified (Required Accessory)
- ADA Compliant

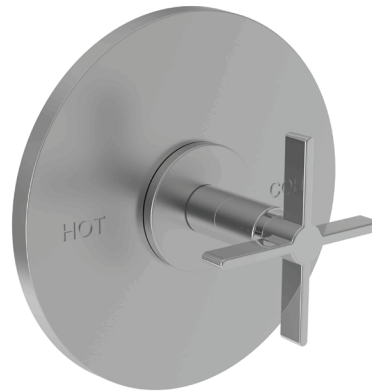
Codes / Standards Compliance

Meets or exceeds the following at date of manufacture:

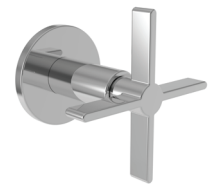
- ASME A112.18.1/CSA B125.1
- IAMPO/cUPC
- IPC
- ADA & ICC/ANSI A117.1
- All applicable US Federal and State material regulations

Colors / Finishes

- 10B: Oil Rubbed Bronze
- 15: Polished Nickel
- 15S: Satin Nickel - PVD
- 26: Polished Chrome
- Other: Refer to the Newport Brass catalog for additional color/finish options.



4-3334BP



3-722

Specified Model

Model	Description	Colors Finishes				
4-3334BP	Tub or Shower Trim (less tub spout or showerhead, arm & flange)	<input type="checkbox"/> 10B	<input type="checkbox"/> 15	<input type="checkbox"/> 15S	<input type="checkbox"/> 26	<input type="checkbox"/> Other
3-722	Shower System Control Valve Trim (Escutcheon/Handle)	<input type="checkbox"/> 10B	<input type="checkbox"/> 15	<input type="checkbox"/> 15S	<input type="checkbox"/> 26	<input type="checkbox"/> Other

Required Accessory:

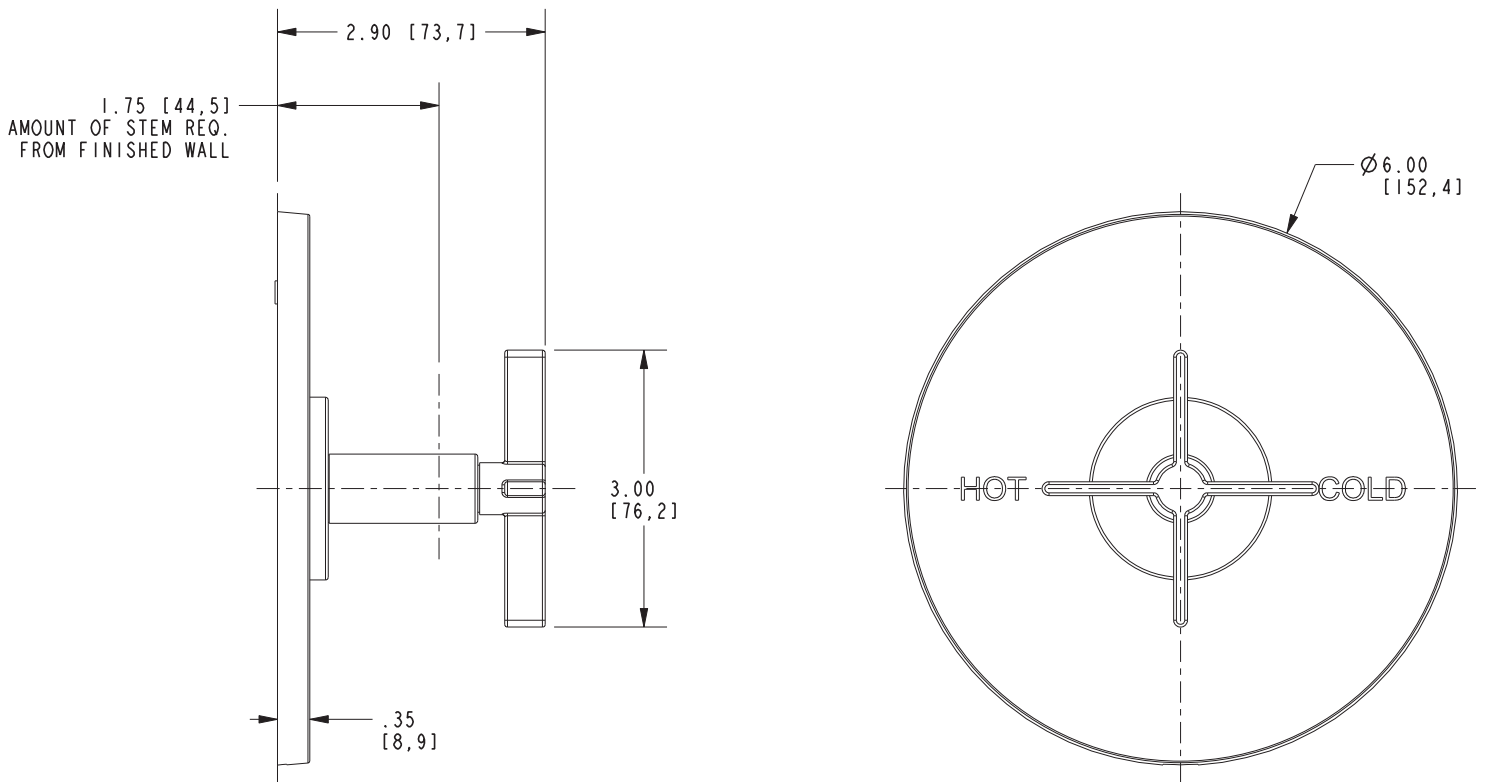
System Element	Shower (or Tub) Valve	Control Valve (Optional)
Description	BP Valve	3-Outlet Diverter
Inlet/Outlet Size	1/2"	1/2"
Part Number	<input type="checkbox"/> 1-684	<input type="checkbox"/> 1-703
Image		

Product Specification: Add size designator and "Color / Finish" suffix to Model number, below.

The single-control Tub or Shower Trim (less tub spout or showerhead, arm & flange) shall be made of solid brass construction. Tub or Shower Trim shall include faceplate with ADA compliant handle. Shower System Control Valve Trim(s) (Escutcheon/Handle) shall be ADA compliant when used with specified Shower System Control Valve. Tub or Shower Trim (less tub spout or showerhead, arm & flange) shall be Newport Brass Model 4-3334BP/____ and single-control Tub or Shower rough valve shall be Newport Brass Model 1-684. [Optional Shower System Control Valve Trim (Escutcheon/Handle) shall be 3-722/____ and Shower System Control Valve shall be 1-703].

4-3334BP

Product Dimensions are provided for reference only. For specific product installation guidelines, please reference the Installation Instructions of the product being installed.



Tolmin Tub or Shower Trim 4-3334BP