

# Norwell Lighting

Product Name **Weymouth**  
 Model Number **1070 1071 1072**  
 Project Name \_\_\_\_\_  
 Fixture Type \_\_\_\_\_ Quantity \_\_\_\_\_



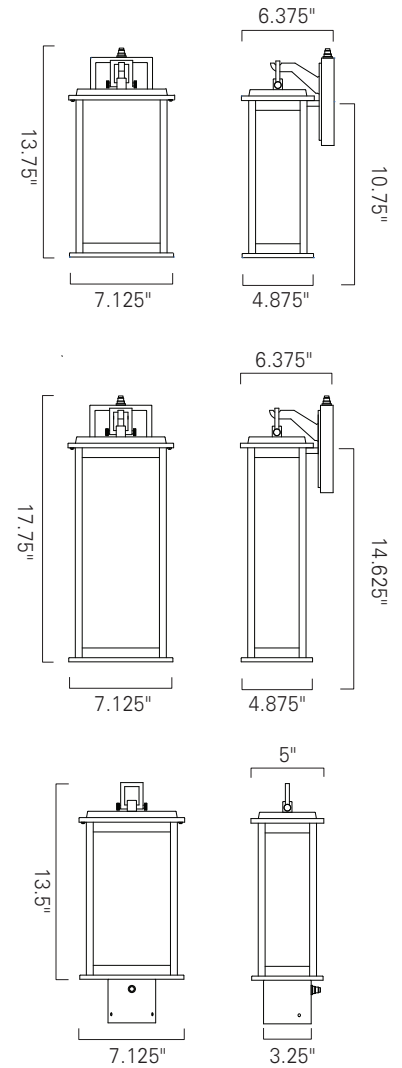
Weymouth Small - 1070  
 Gun Metal (GM) Water Glass (WG)



Weymouth Large - 1071



Weymouth Post - 1072



LED

Product Name / Model / Dimensions					Finish Options	Glass	Lamping Options
Weymouth Small - 1070 Weymouth Large - 1071 Weymouth Post - 1072					<b>Standard</b> Gun Metal (GM)	<b>Standard</b> Water Glass (WG)	<b>Standard</b> LED (LED) 450 lm 3000K CCT with photosensor
	Height	Width	Depth	Projection			
1070	13.75"	7.125"	4.625"	6.325"			
1071	17.75"	7.125"	4.625"	6.325"			
1072	13.5"	7.125"	3.25"				
Backplate Sconce 6" H X 4.25" W							

6\_2016