

# Pure 603016 (right hand drain)

Product code : **PU603016R**

Draft revision : **20191009101000**

External dimensions : **60" x 30" x 16"** [152,4 cm x 76,2 cm x 40,6 cm]

Series : **Alcove**

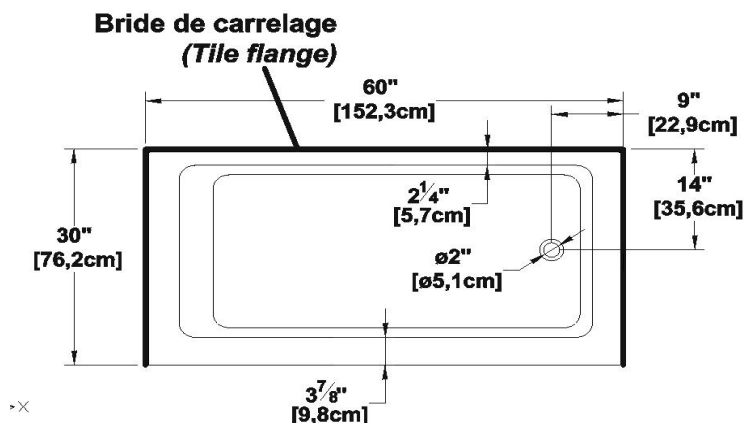
Seats : **1**

Lowbar support : **no**

Arm rests : **no**

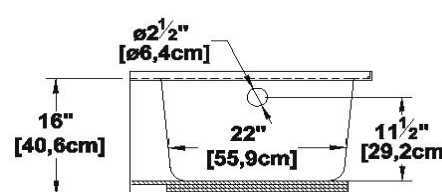
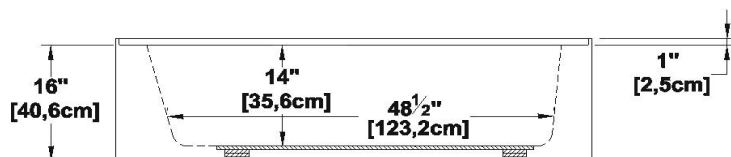
Low-profile available : **no**

## Draft and specs

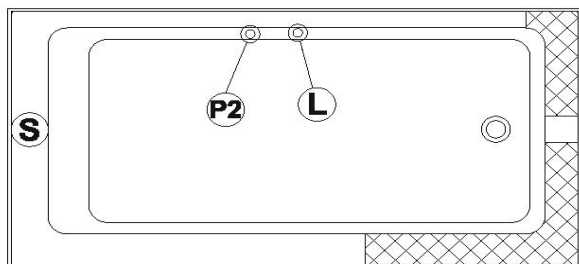


Specifications	
Capacity :	30 IMP Gal. / 39,1 US Gal. / 136,4 liters
AeroMassage™ :	43 Easy Clean™ air jets
Super AeroMassage™ :	AeroMassage™ + 12 Easy Clean™ air jets
Comfort Air™ :	43 Easy Clean™ air jets
Characteristics :	Integrated front skirt

Remarks	
*all measures have a precision of ± 1/4" (0,63cm)	
*internal dimensions taken at 4" (10cm) from bath bottom	
*capacity is measured by filling the soaker to 1-1/2" under the overflow	



## Options and installation



Legend			
(S)	Blower	(L)	Chromotherapy light
(P1)	Pump	(P2)	Grab bar
(C)	Keypad		
Recommended faucets drilling location*			
Deck cut-out line			-----

Available models	
Model	Availability
Soaker alone	✓
Comfort Air™	✓
AeroMassage™	✓
Super AeroMassage™	✓
Nano Sens™	✓

Additional(s) note(s) :

**Integrated acrylic tile flanges. If system, delivered with keypad not installed. Only one handle can be factory installed.**

Available recommended options	
Front skirt :	
Recommended drain :	WOCO14 (chrome finish)
Tile flanges :	integrated
Floating remote control :	available
Integrated linear overflow :	OCE114 (chrome finish)

\*It is possible to install the faucets elsewhere on the product. The installer must verify that there are no piping or wires before drilling.

**IMPORTANT NOTE :** Specifications, dimensions and models are subject to change.

Visit our website <http://www.oceania-attitude.com> to access up-to-date dimensions and informations. In all cases, information on the website is the most up-to-date. Dimensions may vary slightly. To ensure proper fit, measurements must be taken on the product directly.

### Head office

591, avenue des Entreprises  
Thetford Mines, Quebec  
CANADA G6H 4B2

### Phone numbers

No-charge : 1-877-332-4224  
Fax : 1-866-460-4334

### Internet

Web : <http://www.oceania-attitude.com>  
Email : [info@oceanibaths.com](mailto:info@oceanibaths.com)