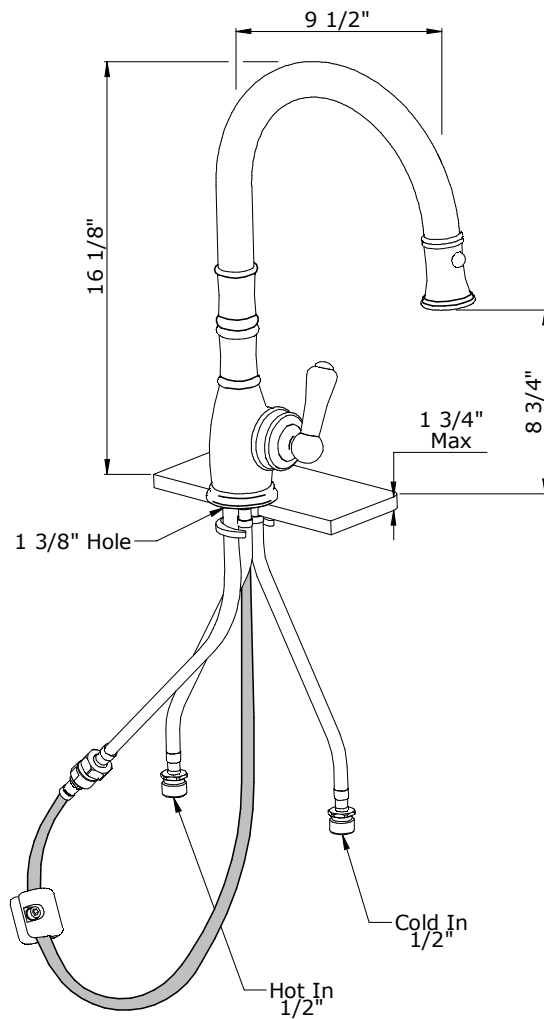
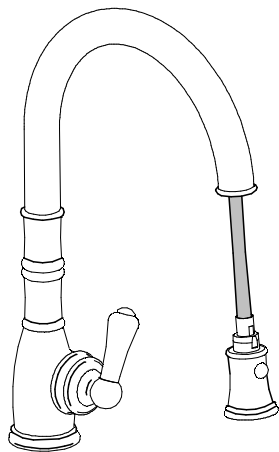


The Country Kitchen Collection
Installation & User Guide

U.4744

Country Kitchen Pull Down



Temp Range:
Min 1°C/34°F
Max 85°C/185°F

Recommended Working Pressure:
Min 1bar/15psi
Max 5bar/75psi

Ideal performance obtained with equal hot & cold pressures.

Congratulations on the purchase of your Perrin & Rowe kitchen product. Correctly installed and with sensible care, this product will give you many years of trouble free service.

IMPORTANT INFORMATION

Before you proceed... We recommend you engage the services of a registered plumber to install this product.

For ease of possible future servicing, we also recommend the fitting of conveniently placed isolating valves.

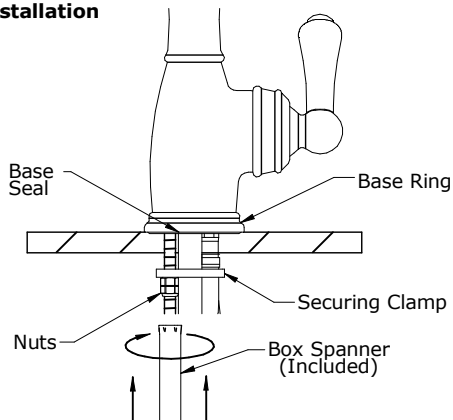
In addition to the guide below it is essential that the written information overleaf is carefully read and understood.

Preparation Check Box for Installer

Flush the plumbing system before installing the kitchen product.

Once unpacked remove clamp plate and hose weight ready for installation.

1 Installation



Before installing the product, leave a gap of 1 1/2" minimum from the center of the work surface hole to any walls or shelves (see image in section 5).

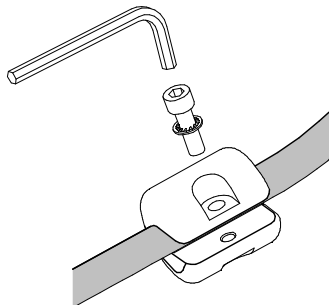
Insert the flexible connections through the work surface hole $\text{Ø}1.3/8''$ ensuring that the base ring and rubber seal are in place between mixer and mounting surface. Ensure the mixer is orientated correctly.

Secure mixer using the clamping plate and nut. (A box spanner is provided). It is recommended to install a stop valve to the mains supply.

Please note: The rubber base seal is an essential item and must be fitted.

2 Attach weight to hose

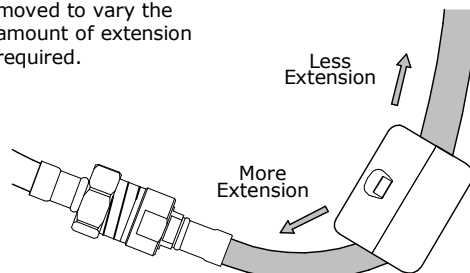
Insert hose in to weight and secure together with the screw and washer provided, using the hex key provided. Ensure that the weight is fixed in place.



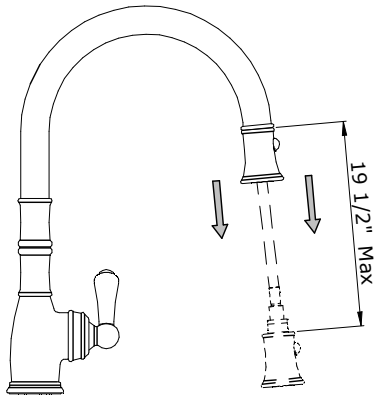
Important note: Do not overtighten the screw.

3 Weight adjustment

The weight can be moved to vary the amount of extension required.



4 Test pull down



Ensure there is ample room in the space under the work surface for the hoses and weight to move freely. Test that the spray head extends far enough by pulling it out.

The spray head should retract smoothly and fix back in place comfortably.

Connect Hot & Cold water supplies. For ease of servicing it is recommended that stop valves be fitted to water supplies. Take care in ensuring the flexible hoses are installed without kinks or twists.

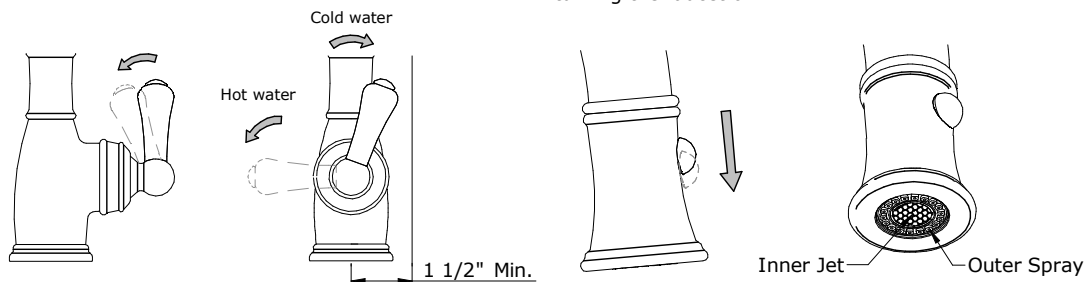
Important note: Ensure that the hose for the spray is securely in place and fed through the plastic hose guide. This should prevent the spray hose from becoming twisted with the hot and cold inlet hoses.

Ensure all connections are firmly tightened.

5 Operation

To turn the faucet on push the lever inwards toward the body.

To change the flow of water from the inner jet to the outer spray, with the water running slide the button downwards. The spray will return to the inner jet after turning the faucet off.



BEFORE USE

- Carefully check the installation for leaks.
- If further building work is to be carried out in the vicinity, cover the product to avoid damaging the finish.
- Please ensure that the installation complies with local plumbing codes.

CARE & MAINTENANCE

Wipe down after use to avoid water spotting and mineral build up.

Occasional cleaning with warm soapy water, followed by a polish with a soft cloth is all that is required to keep the plated finish in good condition.

Do not use proprietary abrasive liquids, powders, or pads to clean the faucet. Do not use any products with ammonia bleach or limescale remover. You will damage the plated finish and void your guarantee.