

## 4-PORT, 3-WAY DEDICATED DIVERTER ROUGH ONLY

ROHL Shower

### R1062BO

#### FEATURES

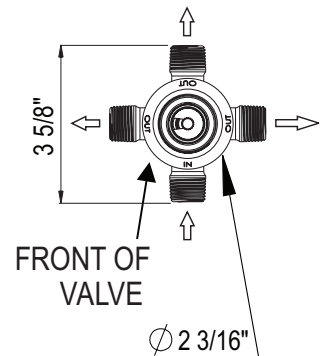
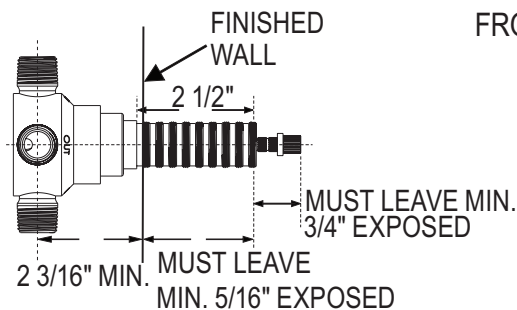
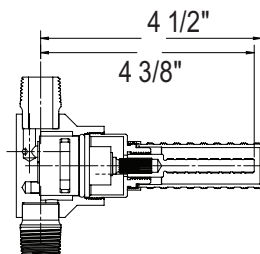
- Rough valve only, no finish
- Solid brass construction
- Ceramic disc cartridge
- **Must use with volume control trim**
- 1/2" M NPT inlet
- 3 x 1/2" M NPT outlets
- Flow is dedicated. May not be split into two outlets at once.
- CALGreen compliant
- Flow rate 5 GPM at 60 PSI
- Outlets may be capped if not used
- Min. depth is 2 3/16" from the center of the outlet
- Max. depth is 4 11/16" from the center of the outlet
- Extension solution included in the rough package
- **Rough can be used with multiple product lines:**
  - Perrin & Rowe®
  - Italian Country Bath
  - Palladian
  - Vincent
  - Michael Berman
  - Modern Lombardia

#### COLORS/FINISHES

- Rough Only

#### WARRANTY

- Limited Lifetime



## Installation Instructions

### ROHL WARRANTY POLICY

- ROHL PRODUCTS ALL CARRY WARRANTIES AGAINST MANUFACTURING DEFECTS.
- THE R1062BO VALVES CARRY A LIMITED LIFETIME WARRANTY.
- ROHL LLC WILL PROVIDE FREE OF CHARGE, AT ITS OPTIONS, REPLACEMENT PART(S) OR PRODUCT (OR A COMPARABLE ALTERNATIVE PRODUCT) TO REPLACE THOSE WHICH HAVE PROVEN DEFECTIVE IN MATERIALS OR WORKMANSHIP.

#### SPARE PARTS AND SERVICE:

ROHL  
3 PARKER  
IRVINE, CA 92618  
P (714) 557-1933  
F (714) 557-8635  
WWW.ROHLHOME.COM

# ROHL

## R1062BO

Rough 1/2" Concealed Wall  
Valve Three - Way Diveter

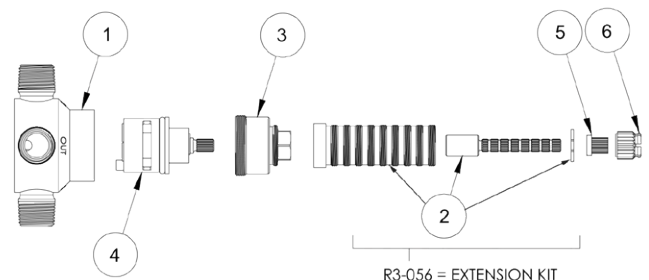
### INSTALLATION INSTRUCTIONS

\*SUITABLE FOR PERRIN & ROWE, ROHL COUNTRY,  
AND MICHAEL BERMAN SHOWER INSTALLATIONS

#### WORKS WITH THESE TRIM SETS:

Perrin & Rowe	Nicolazzi	Michael Berman
U.5542 U.5543	A4912	MB1951
U.5742 U.5743	A2912	
U.3240 U.3241	A4012	
U.3774 U.3775	A4212	
U.3604 U.3605		

ITEM NO	PART NUMBER	DESCRIPTION	QTY.
1		3WAY BODY WITH 1/2"NPT	1
2	R3-056	20 POINT BROACH EXTENSION	1
		C-WASHER STABILIZER	1
		M24X1.0 THREAD EXTENSION	1
3	10349	NUT FOR CAP FOR 3WAY DIVERTER	1
4	10350	CARTRIDGE, DIV MOTION 1/4 TURN WITH SHUTOFF	1
5	9.15402	STEM ADAPTOR PERRIN & ROWE	1
6	R30083	STEM ADAPTOR NICOLAZZI	1



## Installation Instructions

### SPECIFICATIONS

#### TEMPERATURE RANGE:

- MINIMUM 34°F
- MAXIMUM 185°F

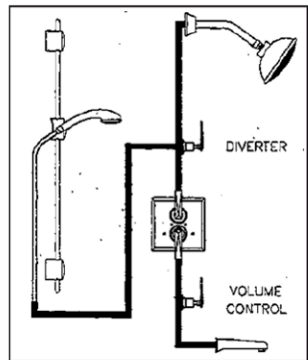
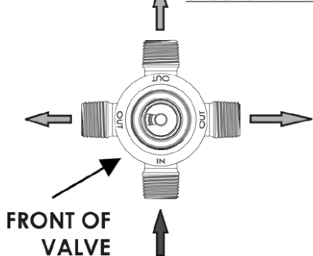
#### RECOMMENDED OPERATING PRESSURE:

- MINIMUM 15 PSI
- MAXIMUM 75 PSI

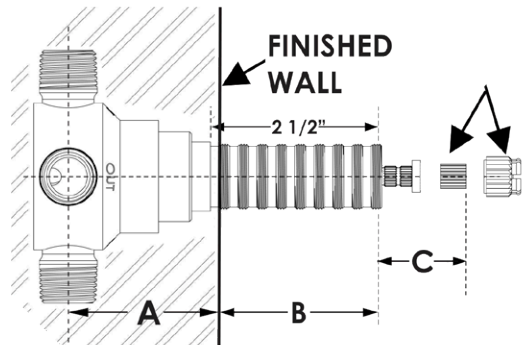
### INSTALLATION NOTES:

- MUST HAVE BOTH ROUGH AND TRIM TO COMPLETE THE INSTALLATION.
- FLUSH THE PLUMBING SYSTEM BEFORE INSTALLING THIS PRODUCT.
- MUST FOLLOW DIMENSIONS SUPPLIED FOR INSTALLATION AND MAKE SURE ALLOWANCE IS MADE FOR FINISHED WALL MATERIAL SUCH AS TILE, ETC.
- MUST USE WITH VOLUME CONTROL WHEN USED WITH THERMOSTATIC VALVE
- 1 X 1/2" M NPT INLET
- 3 X 1/2" M NPT OUTLETS
- FLOW IS DEDICATED
- MAY NOT BE SPLIT INTO TWO OUTLETS AT ONCE
- CALGREEN COMPLIANT
- FLOW RATE 5 GPM AT 60 PSI
- OUTLETS MAY BE CAPPED IF NOT USED
- MIN. DEPTH IS 2 3/16" FROM MIDDLE OF THE VALVE OUTLET
- MAX. DEPTH IS 4 11/16" FROM MIDDLE OF VALVE OUTLET (CHECK DIMENSIONS)
- EXTENSION SOLUTION INCLUDED IN THE ROUGH PACKAGE. CUT BARREL AND EXTENSION TO SIZE AS NEEDED.
- ADDITIONAL EXTENSION KITS AVAILABLE.

**NOTE: Valves must be installed according to direction of flow**



**ATTENTION INSTALLER:** THERE ARE TWO ADAPTORS ON THE VALVE. PLEASE REFERENCE THE TRIM SET FOR CORRECT ADAPTOR. ADAPTORS NOT NEEDED IF USED FOR MICHAEL BERMAN VOLUME CONTROL



### REQUIRED MEASUREMENTS

- A** = 2-3/16" MIN.
- B** = ~5/16" (MUST LEAVE MIN. 5/16" EXPOSED OR TRIM WILL NOT FIT)
- C** = ~3/4" (MUST LEAVE MIN. 3/4" EXPOSED OR HANDLE WILL NOT ATTACH)

### IMPORTANT:

WE RECOMMEND THE USE OF A LICENSED PLUMBER TO INSTALL THIS PRODUCT. PLEASE READ AND UNDERSTAND THE PROVIDED INSTALLATION INFORMATION BEFORE PROCEEDING.

### BEFORE USE:

- CAREFULLY CHECK THE INSTALLATION FOR LEAKS.
- IF FURTHER WORK IS GOING TO BE DONE IN THE VICINITY OF THE VALVE AND TRIM, COVER THE INSTALLATION WITH A PLASTIC BAG TO HELP AVOID DAMAGE TO THE FINISH.

### CARE AND MAINTENANCE:

- RECOMMEND OCCASIONAL CLEANING WITH WARM SOAPY WATER FOLLOWED BY POLISHING WITH A SOFT CLOTH TO KEEP THE PLATED FINISH IN GOOD CONDITION.
- DO NOT USE ABRASIVE LIQUIDS, POWDERS, OR PADS TO CLEAN THE PRODUCT. YOU WILL DAMAGE THE FINISH AND VOID THE WARRANTY.