

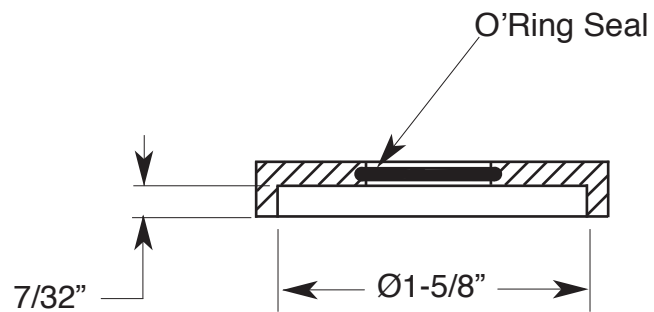
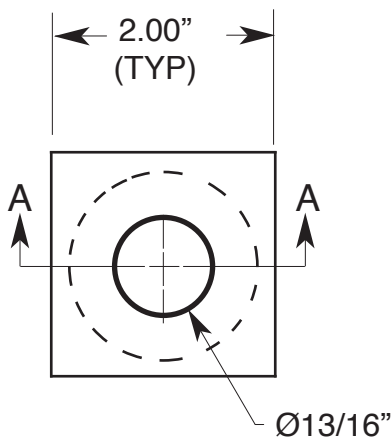
FEATURES:

- All brass construction
- Available in all Sigma finishes
- Meets: ASME A112.18.1-2005 / CSA B125.1-2005

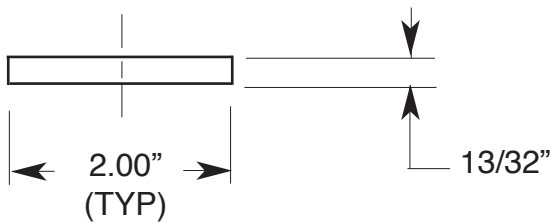
Shower Flange

1/2" Square Shower Flange Solid Brass

18.10.049



SECTION A-A



Note: Measurements are subject to change or cancellation. No responsibility is assumed for use of superseded or voided pages.