

Non-Hold Open High-Efficiency Toilet Flushometer Valve - 1.28 gpf

FEATURES

- Manual operated, non-hold open, toilet flushometer valve complete with 1" angle stop and 1-1/2" vacuum breaker set
- Piston valve action with 1.28 gpf
- Left/right rough-in

MODELS

- TMT1LN#CP
Valve only, Right/Left hand rough
- TMT1LN32#CP (1-1/2" Vacuum breaker)
Right/Left hand rough
Complete set supplied with:
Vacuum breaker & angle stop set - VB9CP-32
 - 1" Angle stop - 10077t3
 - 1-1/2" Vacuum breaker - 10075t1
 - Spud nut & escutcheon - 71051Nt6
 - Sweat solder kit - TH559EDVSJ3
- Optional Parts:
Z-4000-J - Adapter for ground joint angle stops
10075T1L - 24" Long 1-1/2" vacuum breaker tube

COLORS/FINISHES

- #CP Polished Chrome

CODES/STANDARDS

- Meets or exceeds ASSE 1037, CSA B125.3
- Certifications: IAPMO(cUPC), ASSE, State of Massachusetts, City of Los Angeles, and others
- Code Compliance: UPC, IPC, NSPC, NPC Canada, and others
- ADA compliant



PRODUCT SPECIFICATION

TOTO® Model No. _____
Manual toilet flushometer valve, non-hold-open piston type with self-cleaning debris screen and precise flushing capability. Low water consumption of 1.28 gpf / 4.8 lpf Polished Chrome exterior, angle stop with back-check and vacuum breaker included.

TMT1LN Series

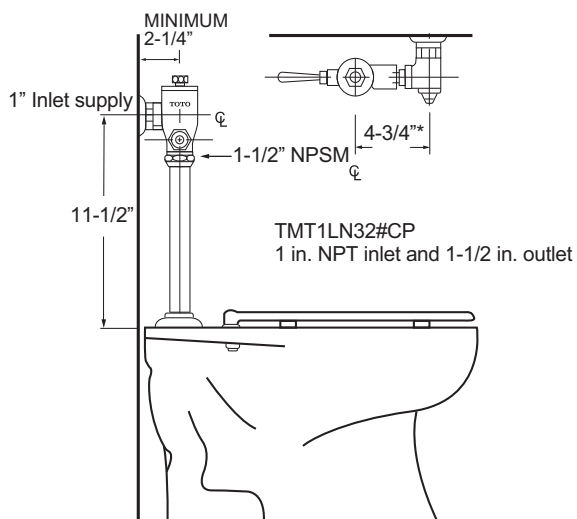
Non-Hold Open High-Efficiency Toilet Flushometer Valve - 1.28 gpf

SPECIFICATIONS

- Warranty Three Year Warranty
- Material Bronze casting with polished chrome finish
- Water Supply 1" NPT
- Fixture type Flushometer valve bowl
- 1.28 gpf / 4.8 lpf
- Supply water pressure 35 psi (flowing) - 100 psi*
(minimum flow rate of 23 gpm)

These specifications are subject to change without notice.

*Water pressures over 80 psi are not recommended for most plumbing fixtures.
Check your local plumbing code for details.



*Adjustable to + 1/2" from standard

TOTO

These dimensions and specifications are subject to change without notice