

TOTO®

MW454574CUFG

Drake® II 1G® / WASHLET®+ S300e Two-Piece Toilet - 1.0 GPF

FEATURES

- Concealed supply connection for seamless installation
- Ultra high-efficiency Tornado Flush® (1.0GPF/3.8LPF)
- CeFiONtect® glaze prevents debris from sticking to ceramic surfaces for easy cleaning
- Universal Height
- Elongated front bowl
- Chrome trip lever
- 12" Rough-in, less supply
- See Spec sheet SW574T20 for Washlet features

MODELS

- C454CUFGT20
Bowl with CeFiONtect glaze
- ST453U Tank and cover only (1.0GPF/3.8LPF)
- ST453UR Tank and cover only, right hand trip lever

REQUIRED WASHLET+

- SW574T20 WASHLET®+ S300e
Fits TOTO WASHLET+ toilet bowl models only

COLORS/FINISHES

- Standard
#01 Cotton

PRODUCT SPECIFICATION

The two-piece ultra high-efficiency Tornado Flush toilet shall be 1.0GPF/3.8LPF. Universal Height Toilet with CeFiONtect glaze finish. Toilet shall have high-profile tank, elongated front bowl and chrome trip lever. Toilet shall be **TOTO Model C454CUFGT20#01**.

See TOTO Specification sheet **SW574T20** for details on required Washlet.



 CeFiONtect washLET+
 Tornado Flush eWater+

CODES/STANDARDS

- Meets and exceeds ASME A112.19.2/CSA B45.1
- Certifications: IAPMO(cUPC), EPA WaterSense, State of Massachusetts, City of Los Angeles, and others
- Code compliance: UPC, IPC, NSPC, NPC Canada, and others
- Legislative Compliance: California AB715, California Green Building Code, City of Los Angeles Water Efficiency Ordinance
- ADA compliant (when installed with trip lever located on the approach side)



MW454574CUFG

Drake® II 1G® / WASHLET®+ S300e Two-Piece Toilet - 1.0 GPF

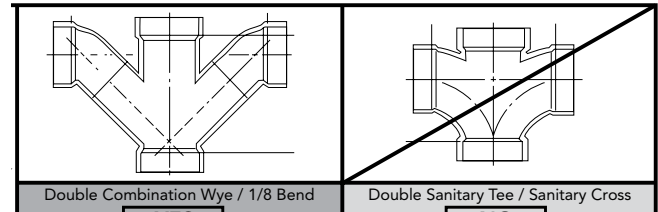
SPECIFICATIONS

- Water Use 1.0 GPF/3.8LPF
- Flush System Tornado Flush®
- Min. Water Pressure 8 psi (static)
- Water Surface 6-7/8" x 8-7/8"
- Trap Diameter 2-1/8"
- Rough-in 12"
- Trap Seal 2-1/8"
- Warranty One Year Limited Warranty
- Material Vitreous china
- Shipping Weight C454CUFGT20 57.3lbs.
ST453U(R) 28.0lbs.
SW574T20 13.5lbs.
- Shipping Dimensions C454CUFGT20
29" L X 14-3/4" W1 X
11-1/2" W2 X 16-1/4" H
ST453U(R)
18" L X 9" W X 16" H
SW574T20
23" X 19-1/4" X 5-1/2"
- See Spec sheet **SW574T20** for Washlet details

INSTALLATION NOTES

Back-to-Back Toilet Installations:

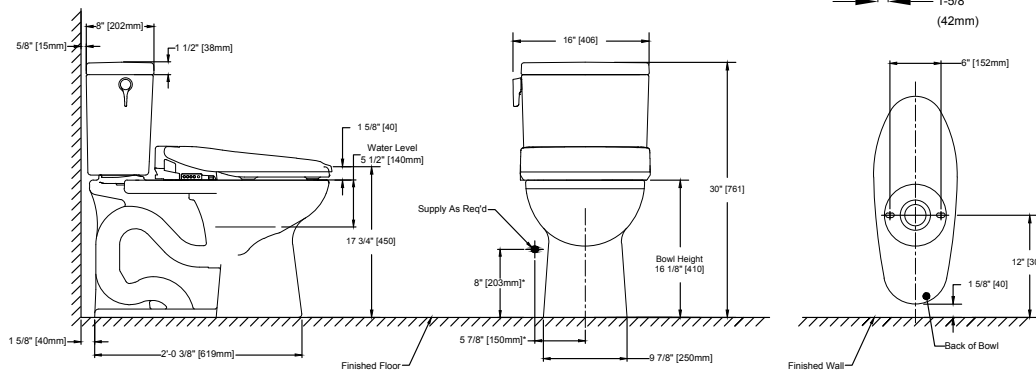
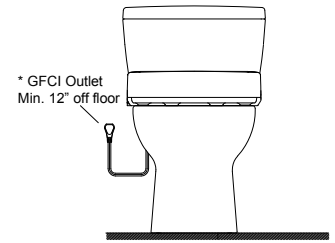
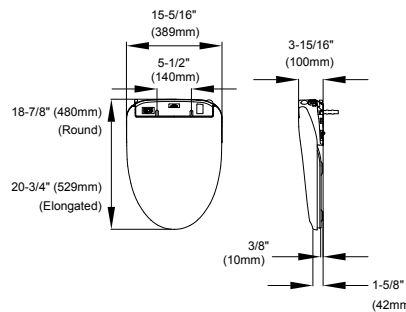
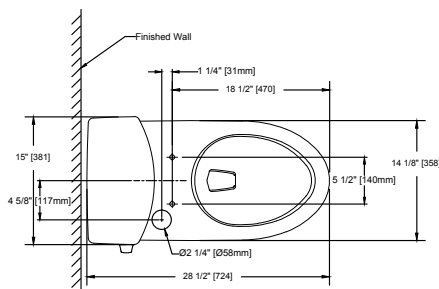
TOTO recommends the use of a nationally listed, double sanitary tee-wye only, in vertical waste stacks, in accordance with the stipulations noted in the majority of nationally recognized plumbing codes.



Install this product according to the installation guide.

Will comply with ADA when installed per Section 604 Water Closets and Toilet Compartments of the ADA 2010 Accessible Design Standard with seat height between 17" to 19", trip lever on approach side and flush actuation force of less than 5lbs.

Will comply with CSA B651 when installed per Clause 6.2.6 Toilets. of the CSA 2012 Accessible Design Standard with seat height between 17" to 19", trip lever on approach side and flush actuation force of less than 5lbs.



RD-XXXXX, MW454584CUFG, MW454574CUFG, V.01

*SUGGESTED DIMENSIONS



These dimensions and specifications are subject to change without notice