

Modern Handshower 5 Mode

FEATURES

- WaterSense® certified high-efficiency 2.0 gpm (7.6 lpm)
- 4-1/16" Multi-function spray with rinse, aerated, and massage sprays
- Rubber nozzles to prevent limescale build-up
- Shower hose sold separately

COLORS/FINISHES

#CP Polished Chrome

CODES/STANDARDS

- Meets or exceeds ASME A112.18.1/CSA B125.1
- Certifications: IAPMO(cUPC), EPA WaterSense, State of Massachusetts and others
- Code Compliance: UPC, IPC, NSPC, NPC Canada, DoE, and others
- Complies with CA Prop 65 warning requirements



PRODUCT SPECIFICATION

Product shall be TOTO Model TBW01020U2# ____.
Product shall have maximum flow rate of 2.0 gpm (7.6 lpm). Product shall have multi-function spray with rinse, aerated, and massage sprays. Product shall have rubber nozzles to prevent limescale build-up. Product must be installed with a certified backflow preventer. Product shower hose sold separately.

TBW01020U2

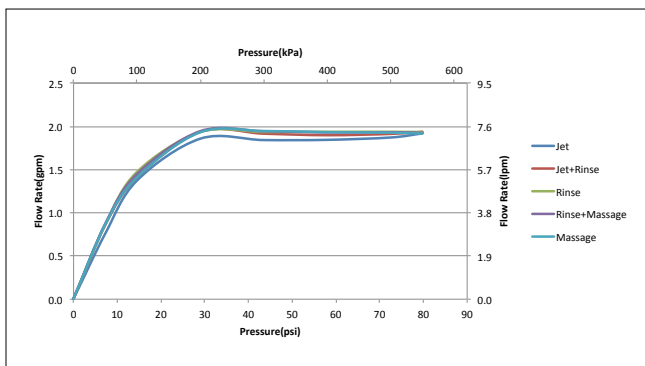
Modern Handshower 5 Mode

SPECIFICATIONS

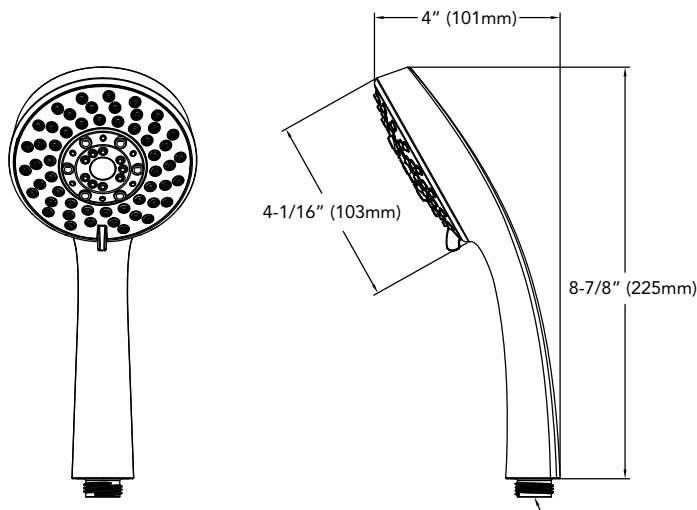
Material	ABS & POM
Maximum Flow Rate	2.0 gpm (7.6 lpm)
Warranty	Limited Lifetime for Residential Use One Year for Commercial Use
Shipping Weight	1.05 lbs.
Shipping Dimensions	9" L x 7-1/2" W x 5-5/8" H

INSTALLATION NOTES

For use with TS101W60: Shower hose (Sold separately)



DIMENSIONS



TOTO