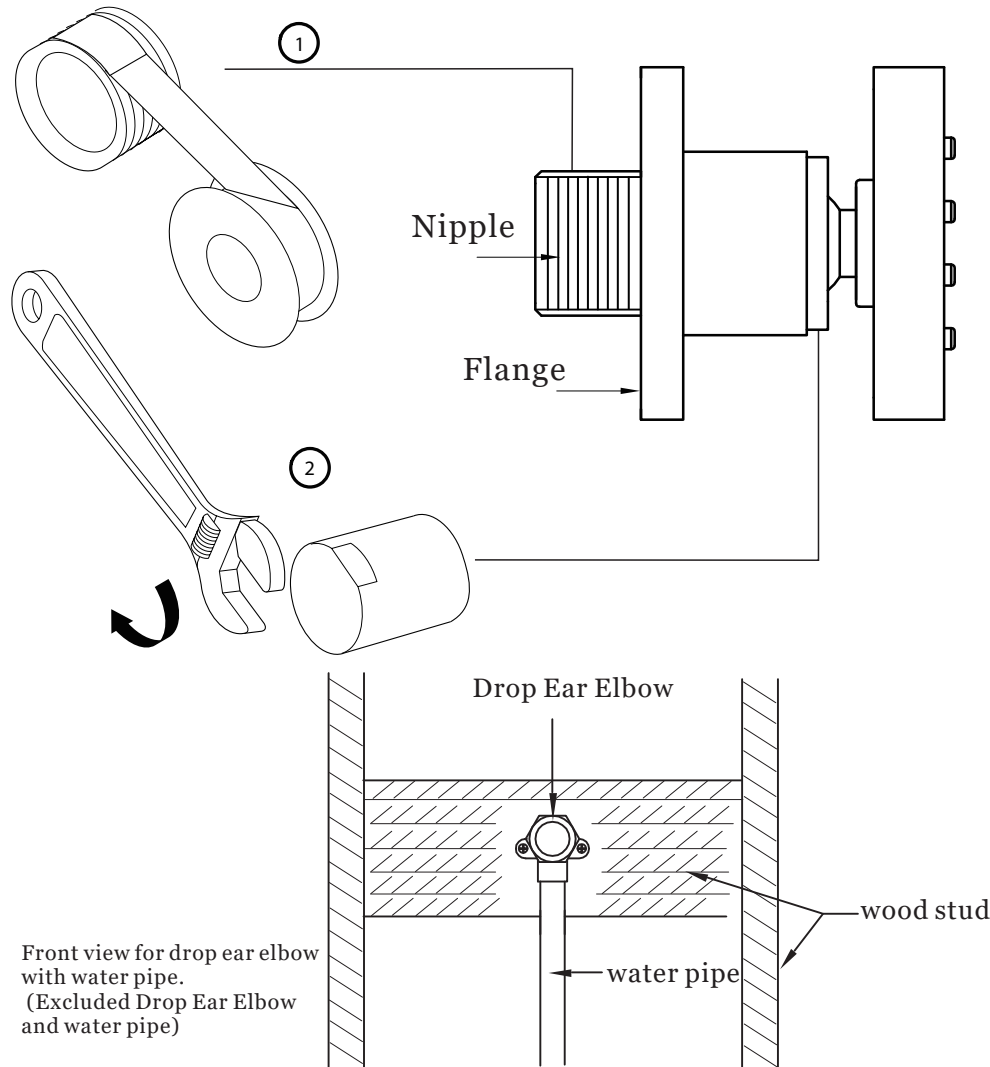


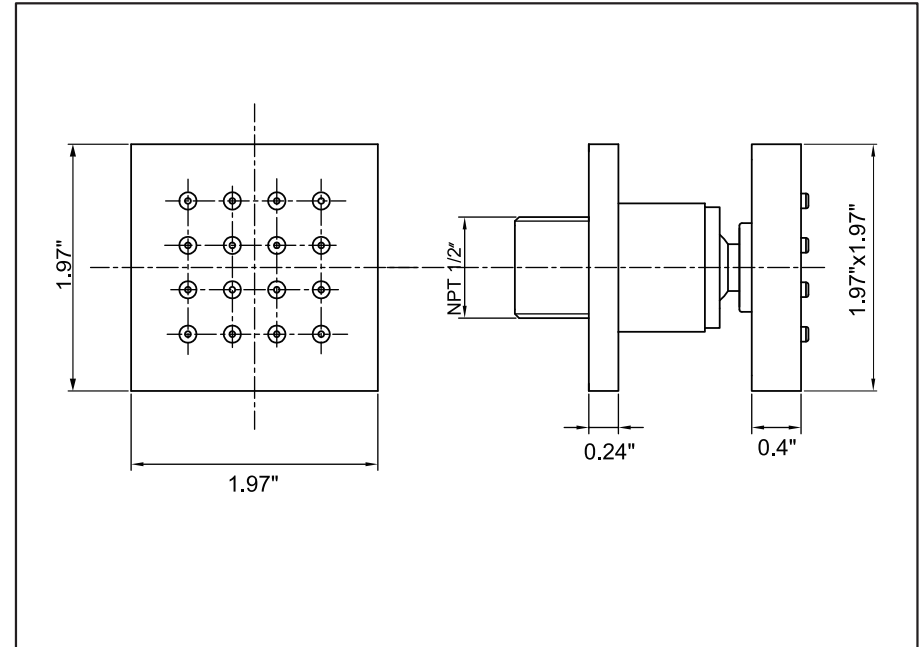
Square Body Spray

Installation Instruction

The plumber should install a properly anchored 1/2" female pipe fitting (i.e. a drop-ear elbow) recessed into the wall firstly.



Dimensional Drawing



Body spray placement:

Custom shower systems are sized to the user or users. Bodysprays are normally placed at the upper back, middle back, and upper thigh. Always position bodysprays according to the preferences of the user(s).

Installation

1. Slide the Square Flange a bit upper away from the Nipple.
2. Wrap the nipple with Teflon Tape, connect with water supply.
3. Tighten securely with wrench.
4. Turn on water for testing.

Aftercare

- a) To maintain the appearance, ensure it is cleaned only using a clean soft damp cloth.
- b) A solution of warm water and mild liquid detergent may be used where necessary and then rinsed thoroughly. Abrasive cleaners or acidic cleaners **MUST NOT BE USED** under any circumstances. Avoid contact with solvents.
- c) Please use non-return valves on your shower system.
- d) Please retain these instructions for future reference.