



ECLIPSE

## SPECIFICATIONS

Construction.....	Glass Mirror w/304 Stainless Mounting Bracket
Controllability.....	User to provide switching
Transformer output.....	12vac
Input.....	120VAC
Mirror Heater Wattage.....	50W

### Basic Features:

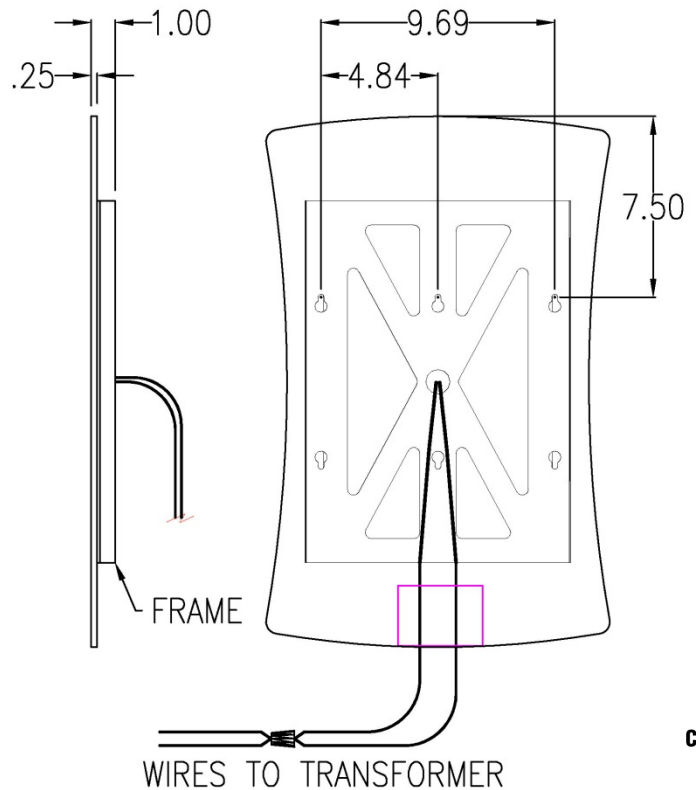
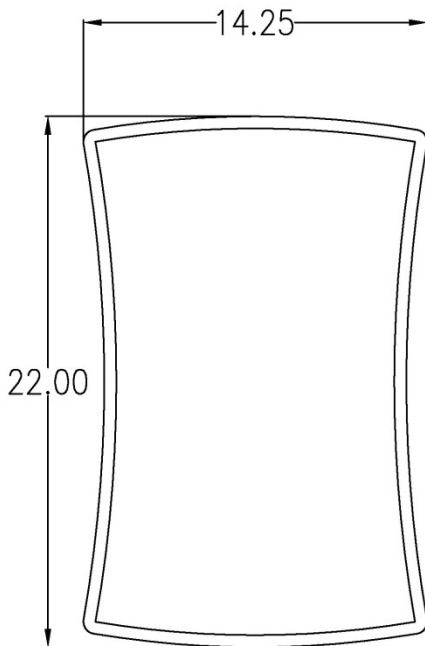
- Assembled mirror with heating pad
- Transformer wiring: 120V Input (black-white), 12V Output (red-blue)
- 2 – Solder-less connectors
- Backed with Metal mounting frame
- ¼" Thick Glass w/Polished Edges
- Able to withstand 250°F
- Mirror has PVC film shatter protection

### Product Specification:

¼" thick glass with metal mounting support bracket. Mirror mounts with two supplied screws and wall anchors.

### Installation Notes:

Install per 81161 install instructions. [For product manual and customer support; see WWW.Thermasol.com](#)



<p><b>Shipping Information:</b>          Weight.....21 lbs.          Length.....30.75 in.          Width.....18.32 in.          Height.....4.68 in.</p>	<p>For any further assistance please contact ThermaSol at 800.776.0711 or <a href="mailto:sales@thermasol.com">sales@thermasol.com</a></p>
---	--

