

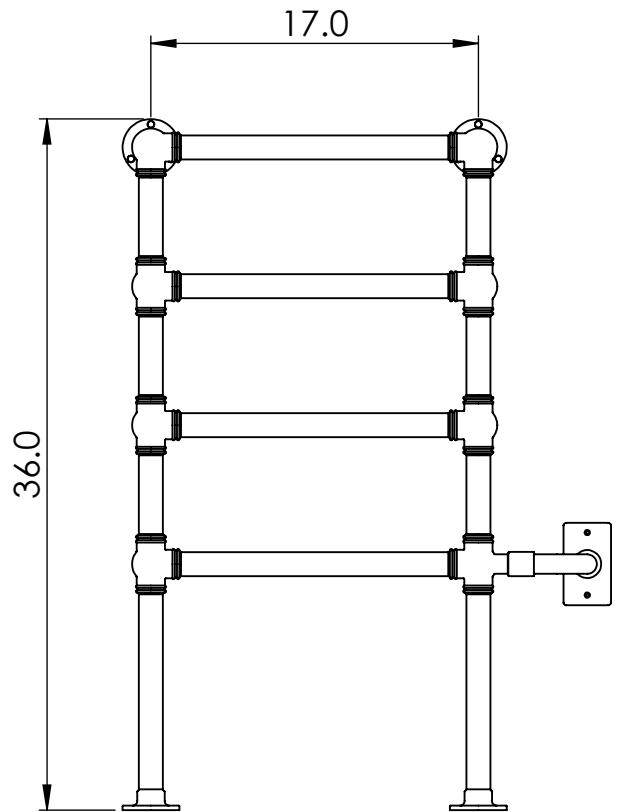
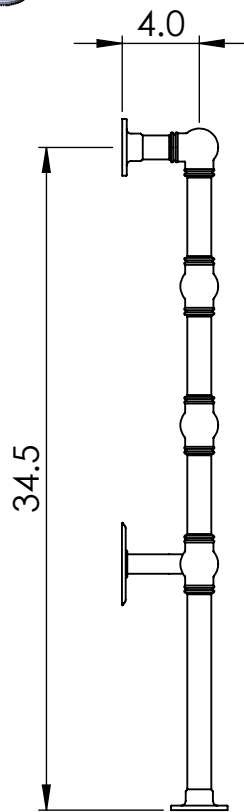
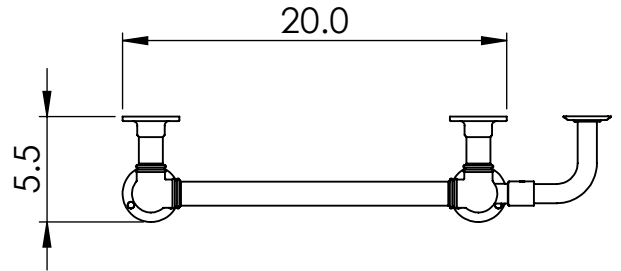
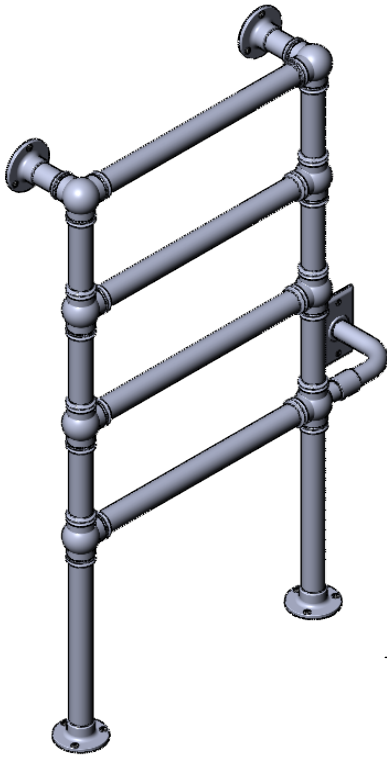
# ENC2A OG-36.0x20.0 4 Bar

Height: 36.0  
Width: 20.0  
Depth: 5.5  
Weight HO: kg  
EO: kg

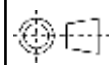
Tube  $\phi$ : 1.25  
Pipe Centres: 17.0  
Elec. element if specified: 125  
Output @ 50°C  $\Delta$ T Watts: N/A  
BTUs: N/A

All dimensions in inches

Manufactured from ISO/CEN CuZn36As (BS CZ126) brass tube



Vogue UK Ltd. reserve the right to alter specifications without prior notice.  
ALL MEASUREMENTS ARE NOMINAL DIMENSIONS ONLY, AND ARE NOT BINDING.



SCALE 1:10



175 Memorial Drive Unit C  
Shrewsbury MA 01545 USA  
Tel: 508 887 8771 Fax: 508 887 8774  
e-mail: info@vougeuk.com ww.vougeuk.com