

EU2H-(MD035)

47.2x23.6

Height: 47.2

Width: 23.6

Depth: 3.9

Weight HO: 12.5 kg

EO: 21.5 kg

Tube ϕ : 1.25 + 0.9

Pipe Centres: 22.4

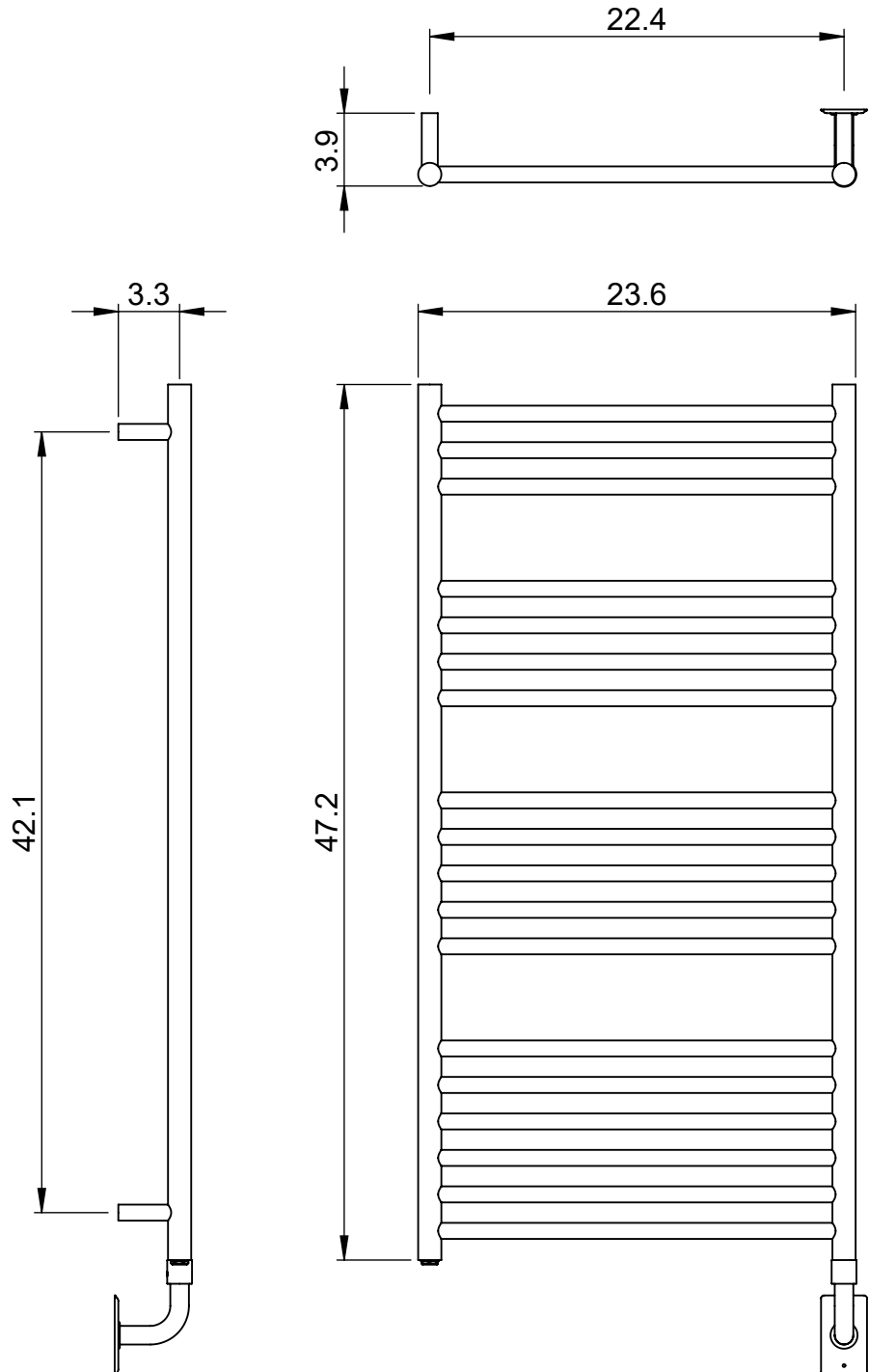
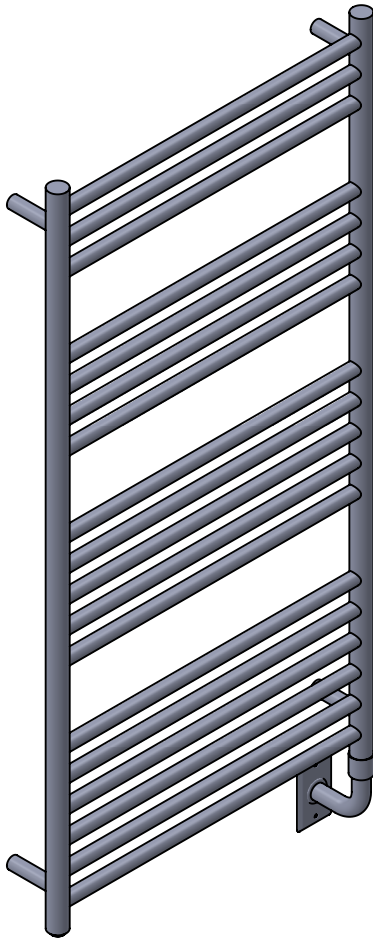
Elec. element if specified: 200

Output @ 50°C Δ T Watts: N/A

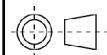
BTUs: N/A

All dimensions in inches

Manufactured from 1.4301/X5CrNi18-10 stainless steel



Vogue UK Ltd. reserve the right to alter specifications without prior notice.
ALL MEASUREMENTS ARE NOMINAL DIMENSIONS ONLY, AND ARE NOT BINDING.



SCALE 1:10



175 Memorial Drive Unit C
Shrewsbury MA 01545 USA
Tel: 508 887 8771 Fax: 508 887 8774
e-mail: info@vougeuk.com ww.vougeuk.com